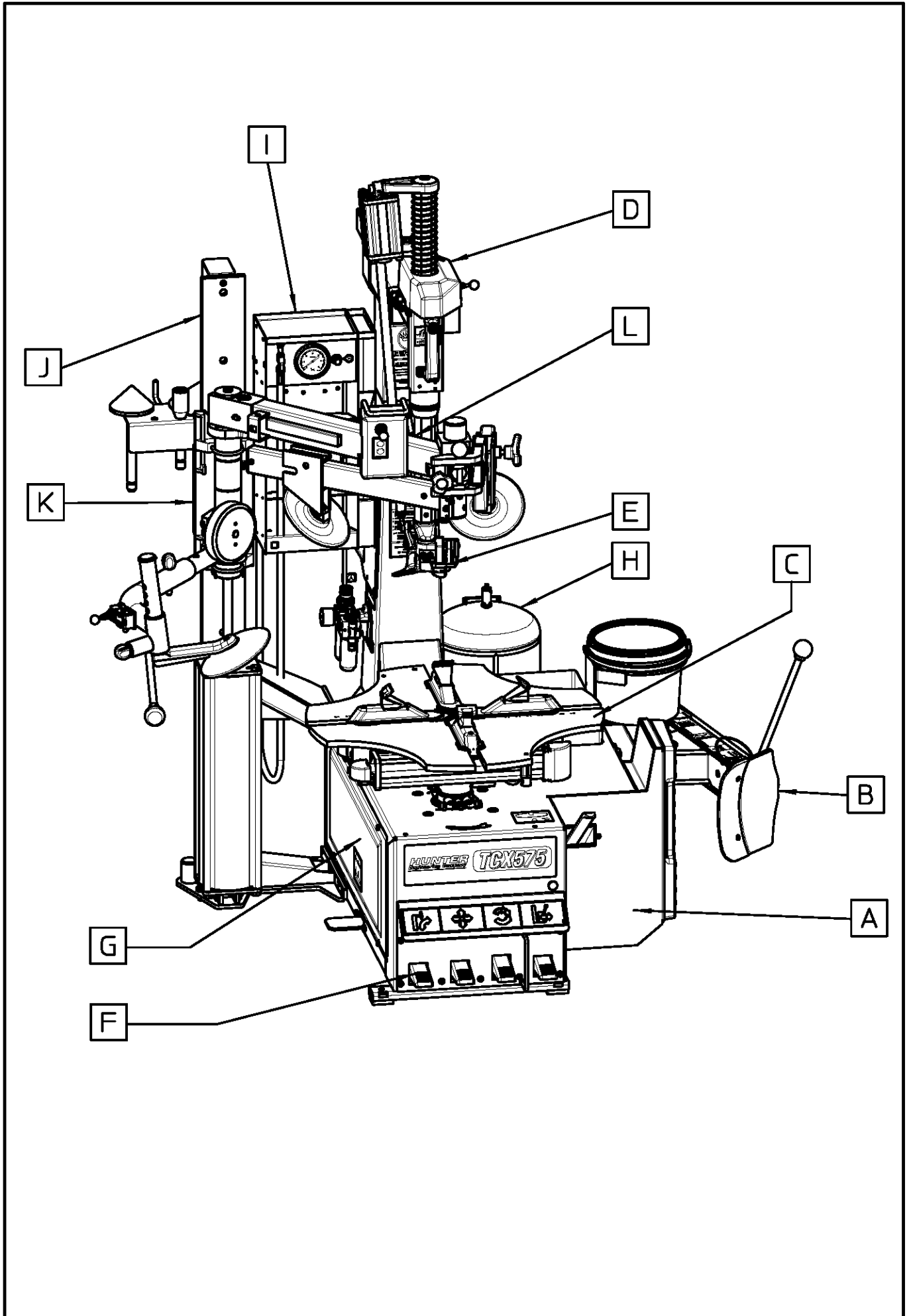


**TCX575 Tire Changer**  
©2010 Hunter Engineering Company



### TCX575 Tire Changer

REFER TO NEXT SHEET FOR PARTS DESCRIPTION LISTING

PARTS DESCRIPTION LISTING

Form 11-33, 12-10a  
Supersedes Form 11-33, 07-10  
Sheet 2 of 17

**TCX575 TIRE CHANGER**

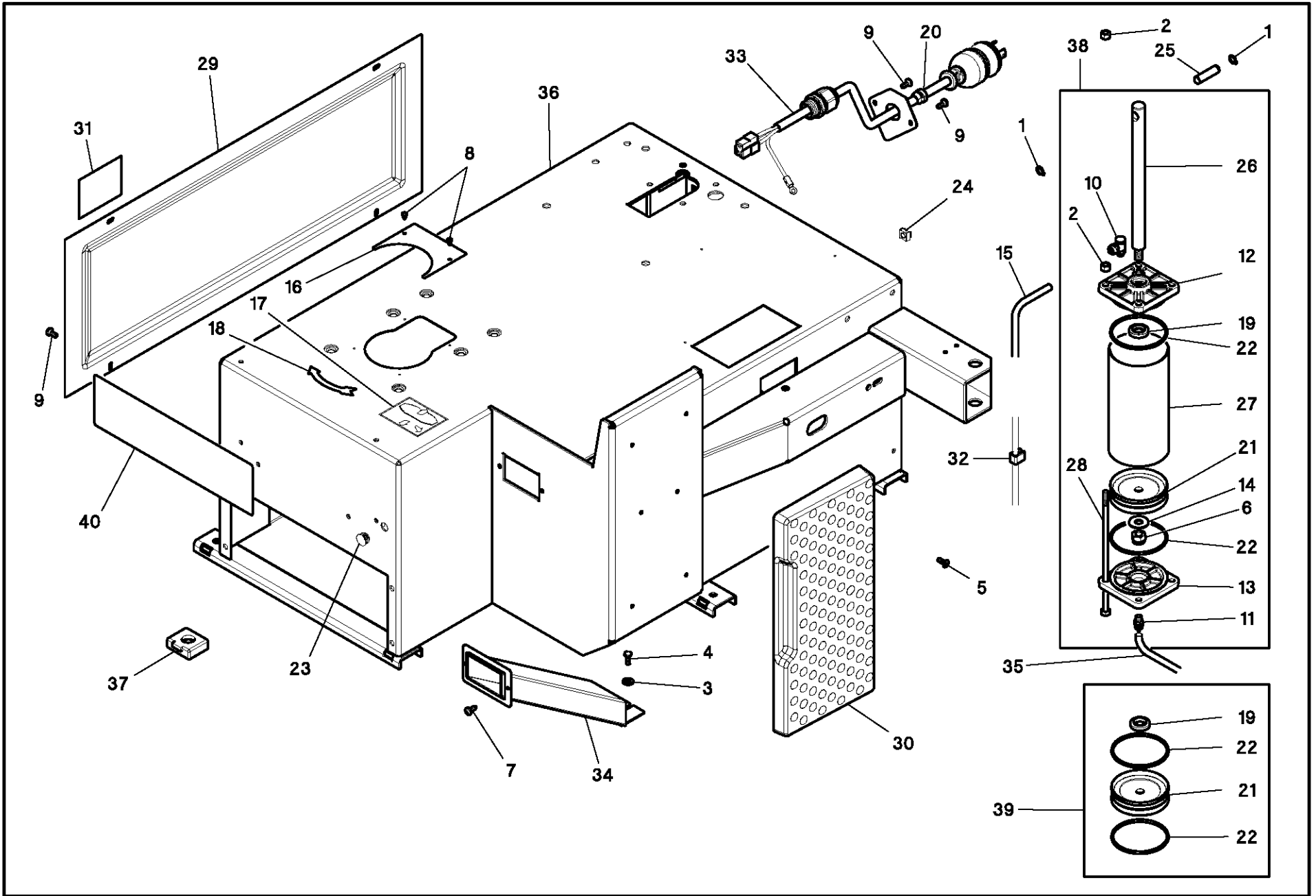
| No. | Description                     | No. | Description                                       |
|-----|---------------------------------|-----|---|
| A   | Body (sheet 3)                  | H   | Complete Rotating Union (sheet 11)                |
| B   | Bead Breaker (sheet 4)          | I   | ULGS Hunter Inflator Box with Air Hose (sheet 12) |
| C   | Turntable (sheet 5)             | J   | BPS Column (sheet 13)                             |
| D   | Column (sheet 6,7)              | K   | BPS Carriage (sheet 14)                           |
| E   | Mount Head (sheet 8)            | L   | BPS Control Arm (sheet 15)                        |
| F   | Complete Pedal System (sheet 9) | PD  | Pneumatic Diagram (sheet 16)                      |
| G   | Complete Gear Box (sheet 10)    | WD  | Wire Diagram (sheet 17)                           |
|     |                                 |     |   |

**TCX575 ACCESSORIES (NOT SHOWN)**

| Part Number     | Description                   | Part Number     | Description                         |
|-----------------|-------------------------------|-----------------|-------------------------------------|
| RP6-3784        | Mounting Paste                | RP11-8-11400085 | Jaw Protectors (4)                  |
| 148-133-2       | Lubrication Oil               | 179-15-2        | Safety Goggles                      |
| RP11-4-105142A  | Short Bead Lever              | RP11-8-11400293 | Mount Head Insert (10)              |
| RP11-5-490223   | Plastic Shovel Protectors (4) | RP11-8-11400098 | Plastic Bead Lever Protector Sleeve |
| RP11-8-11400151 | 6" Clamping Jaw Extension     | RP6-1506        | Applicator Brush                    |
| RP11-3009516    | Bead Lever                    |                 |                                     |

REFER TO NEXT SHEET FOR PARTS DESCRIPTION LISTING

# TCX575 Tire Changer



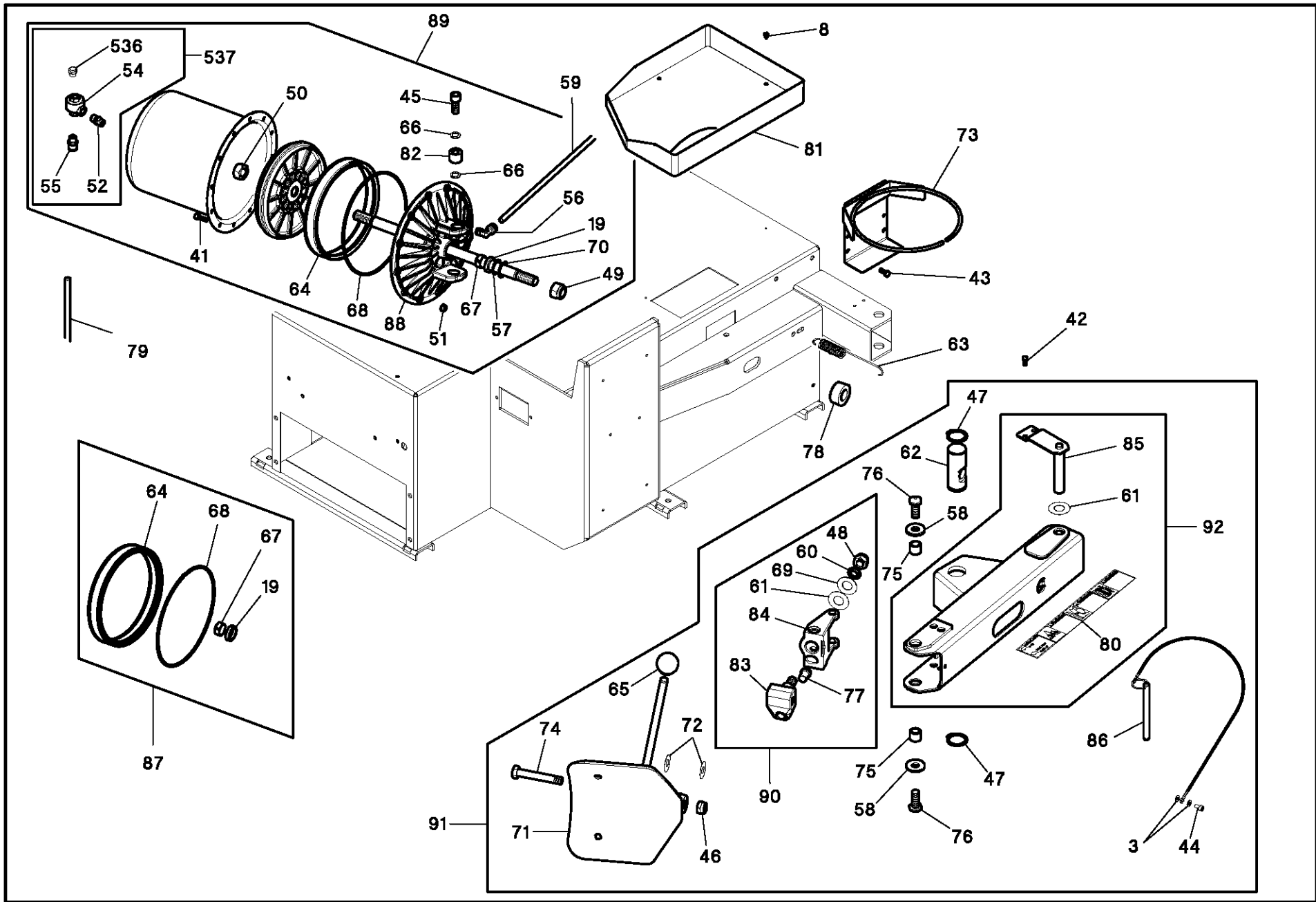
## PARTS DESCRIPTION LISTING

Form 11-33, 12-10a  
Supersedes Form 11-33, 07-10  
Sheet 3 of 17

| Index No. | Part Number  | Description                    |
|-----------|--------------|--------------------------------|
| 1         | RP11-2-00025 | RETAINING RING FOR SHAFT D.12  |
| 2         | RP11-2-00112 | NUT M8                         |
| 3         | RP11-2-00211 | WASHER FOR HEX CAP SCREW M6    |
| 4         | RP11-2-00359 | HEXAGON HEAD CAP SCREW M6X10   |
| 5         | RP11-2-00711 | SOCKET COUNTERSUNK SCREW M6X16 |
| 6         | RP11-2-01021 | NUT WITH POLYAMIDE RING M12    |
| 7         | RP11-2-02411 | SELF-TAPPING SCREW D.4,8X16    |
| 8         | RP11-2-02742 | SELF-TAPPING SCREW D.3,9X9,5   |
| 9         | RP11-2-02755 | CROSS PAN HEAD SCREW M6X12     |
| 10        | RP11-2201587 | ELBOW MALE ADAPTOR G1/8 T.8    |
| 11        | RP11-3-00039 | STRAIGHT MALE ADAPTOR 1/8 T8-6 |
| 12        | RP11-3009469 | CYLINDER FRONT FLANGE D.90     |
| 13        | RP11-3009470 | CYLINDER REAR FLANGE D.90      |
| 14        | RP11-3010677 | WASHER D. 12,5X30X3            |
| 15        | RP11-3015551 | RILSAN HOSE D.8-6 L.1600       |
| 16        | RP11-3020172 | REAR PROTECTION PLATE (GP)     |
| 17        | RP11-3020482 | DECAL, SELF-CENTERING CHUCK    |
| 18        | RP11-3020842 | SENSE OF ROTATION ARROW        |
| 19        | RP11-4206114 | LIPPED GASKET NSW 20-30-6      |
| 20        | RP11-4206664 | CABLE HOLDER SB8R-3            |

| Index No. | Part Number   | Description                 |
|-----------|---------------|-----------------------------|
| 21        | RP11-4209463  | GASKET WHIT FLANGE D.90     |
| 22        | RP11-4209464  | O-RING 4325 (3.53x82.14)    |
| 23        | RP11-4214064  | CAP D.20                    |
| 24        | RP11-4300573  | SQUARE CAGED NUT M8         |
| 25        | RP11-4-400569 | PIN                         |
| 26        | RP11-4-401307 | SHAFT FOR CYLINDER D.90     |
| 27        | RP11-4-401308 | CASING FOR CYLINDER D.90    |
| 28        | RP11-4-401309 | CYLINDER TIE ROD D.90       |
| 29        | RP11-4-401671 | LEFT SIDE PANEL (RED)       |
| 30        | RP11-4-401740 | WHEEL SUPPORT               |
| 31        | RP11-4-402030 | DECAL, GP PEDAL             |
| 32        | RP11-4-402452 | HOSES GUIDE                 |
| 33        | RP11-4-402696 | MOTOINVERTER FEEDING CABLE  |
| 34        | RP11-4-402807 | BEAD BREAKER LEVER SUPPORT  |
| 35        | RP11-4-404379 | RILSAN HOSE D.8-6 L.1400    |
| 36        | RP11-4-404420 | BODY                        |
| 37        | RP11-4-406032 | RUBBER FOOT H.25            |
| 38        | RP11-5-401069 | CYLINDER D.90X150           |
| 39        | RP11-5-490272 | SET OF GASKET CYLINDER D.90 |
| 40        | RP11-4-407056 | LABEL HUNTER TCX575         |

**TCX575 Tire Changer**

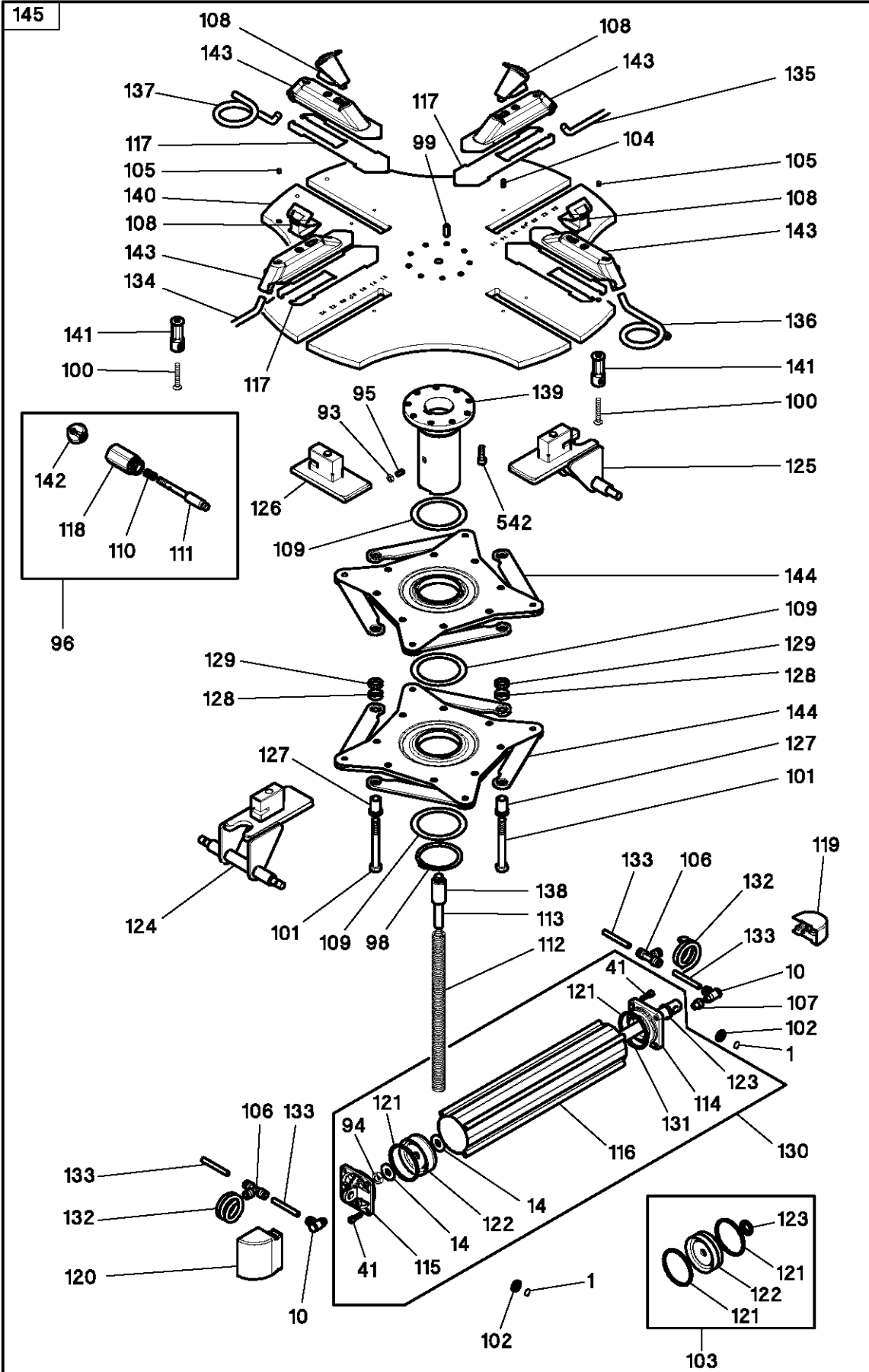


## PARTS DESCRIPTION LISTING

Form 11-33, 12-10a  
Supersedes Form 11-33, 07-10  
Sheet 4 of 17

| Index No. | Part Number  | Description                                     |
|-----------|--------------|---|
| 3         | RP11-2-00211 | WASHER FOR HEX CAP SCREW M6                     |
| 8         | RP11-2-02742 | SELF-TAPPING SCREW D.3,9X9,5                    |
| 19        | RP11-4206114 | LIPPED GASKET NSW 20-30-6                       |
| 41        | RP11-2-00310 | SOCKET HEAD CAP SCREW M6X20                     |
| 42        | RP11-2-00360 | HEXAGON HEAD CAP SCREW M6X12                    |
| 43        | RP11-2-00361 | HEXAGON HEAD CAP SCREW M6X16                    |
| 44        | RP11-2-00715 | SOCKET HEAD CAP SCREW M6X12                     |
| 45        | RP11-2-80026 | SOCKET HEAD CAP SCREW M12X35                    |
| 46        | RP11-2-01106 | NUT WITH POLYAMIDE RING M14                     |
| 47        | RP11-2-01139 | RETAINING RING FOR SHAFT D.35                   |
| 48        | RP11-2-01163 | NUT WITH POLYAMIDE RING M16                     |
| 49A       | RP11-2-01242 | SELF-LOCKING NUT M 18X1,5 (UP TO S/N IGG721491) |
| 49B       | RP11-2-71527 | SELF-LOCKING NUT M 20X1,5 (FROM S/N IGG721492)  |
| 50        | RP11-2-02534 | NUT M18X1,5                                     |
| 51        | RP11-2-02795 | NUT WITH FLANGE ISO4161 M6                      |
| 52        | RP11-3-00141 | NIPPLE G1/4                                     |
| 54        | RP11-3-00317 | VALVE G1/4"                                     |
| 55        | RP11-3-00479 | STRAIGHT MALE ADAPTOR G1/4 T10                  |
| 56        | RP11-3-00517 | ORIENTING ELBOW FITTING 1/4 10                  |
| 57        | RP11-3010912 | WASHER 24X29,5X0,5                              |
| 58        | RP11-3014616 | WASHER 14,25X36X5                               |
| 59        | RP11-3015796 | RILSAN HOSE D.10-8 L.1100                       |
| 60        | RP11-3016999 | HUB SPACER                                      |
| 61        | RP11-3017251 | WASHER 20X42X0,5                                |
| 62        | RP11-3018147 | SWINING PIN                                     |
| 63        | RP11-3020141 | TENSION SPRING                                  |
| 64        | RP11-3-02042 | GASKET D. 200                                   |
| 65        | RP11-3305242 | PLASTIC BALL KNOB                               |
| 66        | RP11-3-90241 | NORD-LOCK NL12 WASHER                           |

| Index No. | Part Number   | Description                    |
|-----------|---------------|--------------------------------|
| 67        | RP11-4206523  | WEAR RING FOR ROD WRI-20       |
| 68        | RP11-4213667  | O-RING 4775 (3.53x196.4)       |
| 69        | RP11-4217252  | CONICAL SPRING WASHER 40X20X2  |
| 70        | RP11-4300414  | RETAINING RING FOR BORE D.30   |
| 71        | RP11-4-400063 | BLADE                          |
| 72        | RP11-4-400510 | WASHER 14,5X35X0,3             |
| 73        | RP11-4-400539 | TYRE PASTE CONTAINER SUPPORT   |
| 74        | RP11-4-401323 | SHOVEL PIVOT                   |
| 75        | RP11-4-401900 | BUSH D.14,25X22X17,5           |
| 76        | RP11-4-401901 | SPECIAL SCREW M14X1,5          |
| 77        | RP11-4-401902 | SPELLBINDER PIN                |
| 78        | RP11-4-401944 | SHOCK ABSORBER                 |
| 79        | RP11-4-402011 | RILSAN HOSE D.10-8 L.1400      |
| 80        | RP11-4-402023 | DECAL WARNING BEAD BREAKER ARM |
| 81        | RP11-4-403112 | UPPER COVER                    |
| 82        | RP11-4-403808 | BEAD BREAKER BUSH              |
| 83        | RP11-4-404708 | BLADE HUB                      |
| 84        | RP11-4-404709 | BLADE SUPPORT                  |
| 85        | RP11-4-406056 | BEAD BREAKER FULCRUM PIN       |
| 86        | RP11-5-400477 | ROTATION LOCKING PIN           |
| 87        | RP11-5-490511 | SET OF GASKET CYLINDER D. 200  |
| 88        | RP11-5-490555 | CYLINDER FRONT FLANGE + BUSHES |
| 89        | RP11-5-490556 | CYLINDER D. 200X150 WITH BUSH  |
| 90        | RP11-5-491083 | BLADE HUB SUBSTITUTION KIT     |
| 91        | RP11-5-491144 | COMPLETE BEAD-BREAKER ARM      |
| 92        | RP11-5-491147 | BEAD-BREAKER ARM               |
| 536       | RP11-3-90065  | SILENCER G1/4                  |
| 537       | RP11-5-491087 | QUICK DISCHARGE KIT            |



### TCX575 Tire Changer

REFER TO NEXT SHEET FOR PARTS DESCRIPTION LISTING



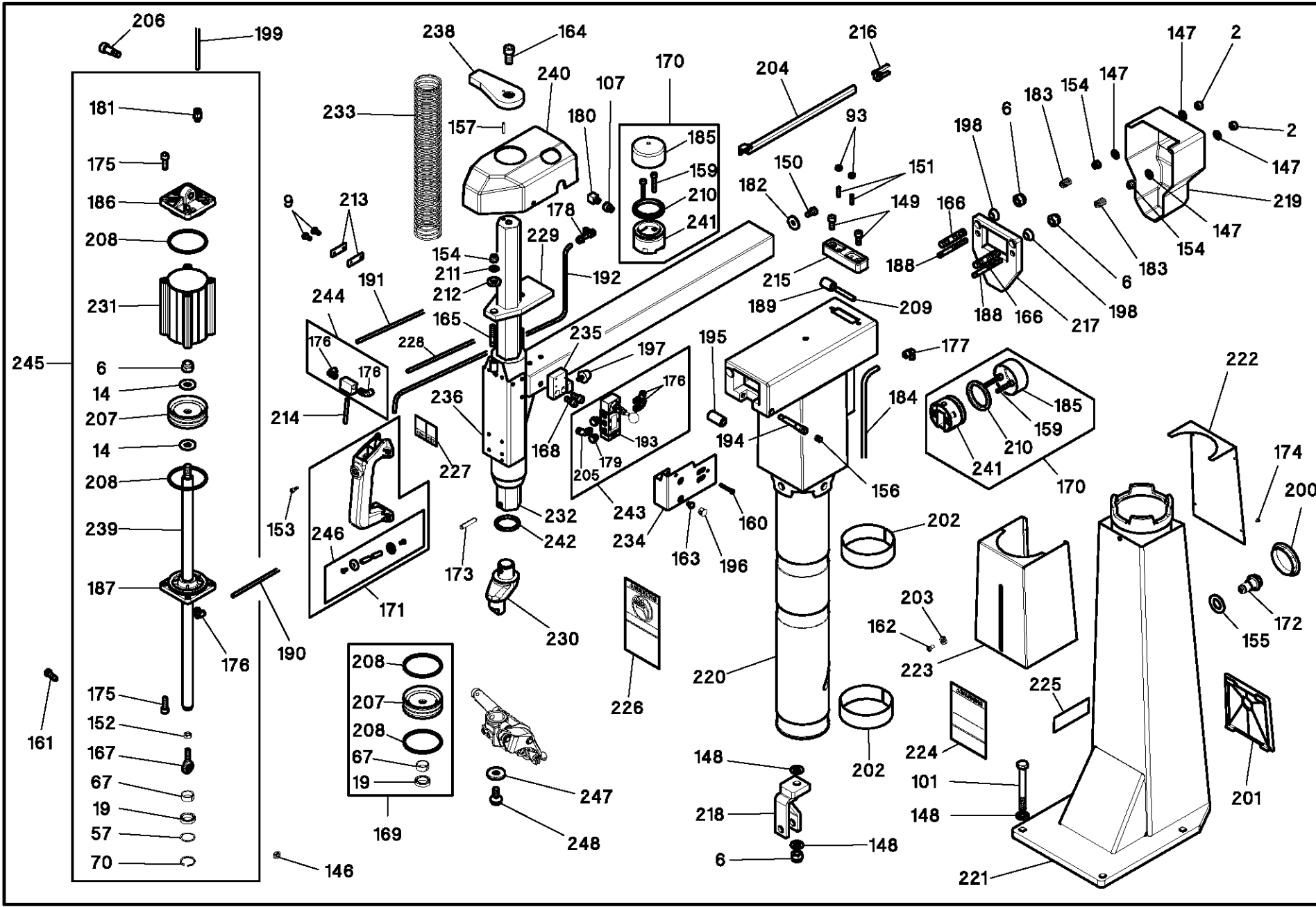
## PARTS DESCRIPTION LISTING

Form 11-33, 12-10a  
Supersedes Form 11-33, 07-10  
Sheet 5 of 17

| Index No. | Part Number  | Description                    |
|-----------|--------------|--------------------------------|
| 1         | RP11-2-00025 | RETAINING RING FOR SHAFT D.12  |
| 10        | RP11-2201587 | ELBOW MALE ADAPTOR G1/8 T.8    |
| 14        | RP11-3010677 | WASHER D. 12,5X30X3            |
| 41        | RP11-2-00310 | SOCKET HEAD CAP SCREW M6X20    |
| 93        | RP11-2-00155 | LOW NUT M6                     |
| 94        | RP11-2-00158 | NUT M12                        |
| 95        | RP11-2-01029 | SOCKET SET SCREW M6X12         |
| 96        | RP11-2020312 | COMPLETE LATCH                 |
| 98        | RP11-2-02519 | RETAINING RING FOR SHAFT D.72  |
| 99        | RP11-2-03135 | SPRING-TYPE STRAIGHT PIN D8X24 |
| 100       | RP11-2-03314 | SOCKET COUNTERSUNK SCREW M8X50 |
| 101       | RP11-2-03329 | HEXAGON HEAD CAP SCREW M12X100 |
| 102       | RP11-2-03354 | WASHER FOR CHEESE SCREW M12    |
| 103       | RP11-2202349 | SET OF GASKET CYLINDER D.70    |
| 104       | RP11-2-71921 | SPRING-TYPE STRAIGHT PIN D5X14 |
| 105       | RP11-2-94117 | SOCKET SET SCREW M8X6          |
| 106       | RP11-3-00025 | TEE CONNECTOR T.8              |
| 107       | RP11-3-00083 | REDUCER G1/8 M-F               |
| 108       | RP11-3008225 | CLAMPING JAW                   |
| 109       | RP11-3010581 | WASHER D.75X97,5X0,5           |
| 110       | RP11-3010598 | HELICAL COMPRESSION SPRING     |
| 111       | RP11-3015002 | LATCH                          |
| 112       | RP11-3018171 | HELICAL COMPRESSION SPRING     |
| 113       | RP11-3018469 | SPRING GUIDE                   |
| 114       | RP11-3020641 | CYLINDER FRONT FLANGE D.70     |
| 115       | RP11-3020642 | CYLINDER REAR FLANGE D.70      |
| 116       | RP11-3020804 | CASING CYLINDER D. 70          |
| 117       | RP11-3021213 | COVER PLATE                    |
| 118       | RP11-3021269 | LATCH HUB                      |

| Index No. | Part Number   | Description                           |
|-----------|---------------|---------------------------------------|
| 119       | RP11-3321211  | CYLINDER FRONT COVER                  |
| 120       | RP11-3321212  | CYLINDER REAR PROTECTION COVER        |
| 121       | RP11-4209740  | O-RING 4250                           |
| 122       | RP11-4217860  | GASKET WITH FLANGE D.70               |
| 123       | RP11-4220637  | LIPPED GASKET 20X26X3,6               |
| 124       | RP11-4-401685 | SLIDING GUIDE WITH PIN                |
| 125       | RP11-4-401686 | SLIDING GUIDE WITH PIN                |
| 126       | RP11-4-401688 | SLIDING GUIDE                         |
| 127       | RP11-4-401733 | BUSH D.12X18X24,5                     |
| 128       | RP11-4-401734 | SPACER D.18X24X6,5                    |
| 129       | RP11-4-401735 | SPACER D.18X24X5,5                    |
| 130       | RP11-4-401744 | CYLINDER D.70X20X355                  |
| 131       | RP11-4-401745 | SHAFT FOR CYLINDER D.70               |
| 132       | RP11-4-401988 | POLYURETHAN SPIRAL HOSE T8-5          |
| 133       | RP11-4-401998 | RILSAN HOSE D.8-6 L.62                |
| 134       | RP11-4-401999 | POLYURETHAN HOSE D10-6,5 L610         |
| 135       | RP11-4-402000 | POLYURETHAN HOSE D10-6,5 L550         |
| 136       | RP11-4-402015 | POLYURETHAN SPIRAL HOSE 10-6,5        |
| 137       | RP11-4-402016 | POLYURETHAN SPIRAL HOSE 10-6,5        |
| 138       | RP11-4-403113 | SPRING SPACER                         |
| 139       | RP11-4-404172 | TURNTABLE HUB                         |
| 140       | RP11-4-406878 | TURNTABLE 24"                         |
| 141       | RP11-4-405289 | HOSES GUIDE                           |
| 142       | RP11-4-406067 | HANDLE                                |
| 143       | RP11-5-400185 | SLIDE WITH UNION (red spotted indent) |
| 144       | RP11-5-400428 | CONTROL PLATE                         |
| 145       | RP11-5-490933 | COMPLETE SELF-CENTERING CHUCK         |
| 542       | RP11-2-03559  | SOCKET HEAD CAP SCREW M8X20           |

VERSION PRODUCED UP TO S/N IGB716394



TCX575 Tire Changer

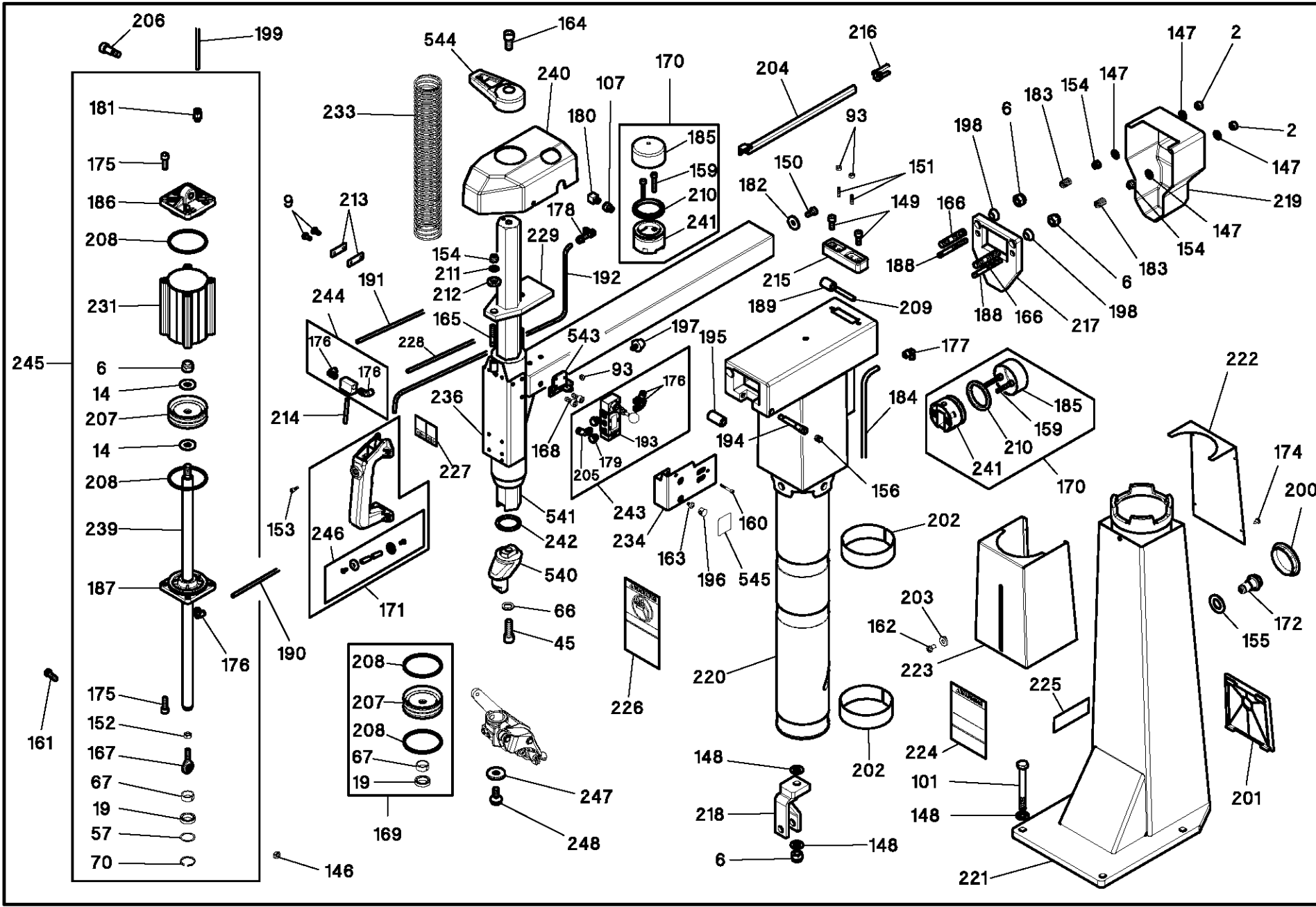
REFER TO NEXT SHEET FOR PARTS DESCRIPTION LISTING

## PARTS DESCRIPTION LISTING

Form 11-33, 12-10a  
Supersedes Form 11-33, 07-10  
Sheet 6 of 17

| Index No. | Part Number   | Description                    |
|-----------|---------------|--------------------------------|
| 2         | RP11-2-00112  | NUT M8                         |
| 6         | RP11-2-01021  | NUT WITH POLYAMIDE RING M12    |
| 9         | RP11-2-02755  | CROSS PAN HEAD SCREW M6X12     |
| 14        | RP11-3010677  | WASHER D. 12,5X30X3            |
| 19        | RP11-4206114  | LIPPED GASKET NSW 20-30-6      |
| 57        | RP11-3010912  | WASHER 24X29,5X0,5             |
| 67        | RP11-4206523  | WEAR RING FOR ROD WRI-20       |
| 70        | RP11-4300414  | RETAINING RING FOR BORE D.30   |
| 93        | RP11-2-00155  | LOW NUT M6                     |
| 101       | RP11-2-03329  | HEXAGON HEAD CAP SCREW M12X100 |
| 107       | RP11-3-00083  | REDUCER G1/8 M-F               |
| 146       | RP11-2-00156  | LOW NUT M8                     |
| 147       | RP11-2-00212  | WASHER FOR HEX CAP SCREW M8    |
| 148       | RP11-2-00214  | WASHER FOR HEX CAP SCREW M12   |
| 149       | RP11-2-00320  | SOCKET HEAD CAP SCREW M8X20    |
| 150       | RP11-2-00372  | HEXAGON HEAD CAP SCREW M8X16   |
| 151       | RP11-2-00688  | SOCKET SET SCREW M6X20         |
| 152       | RP11-2-00723  | NUT M8                         |
| 153       | RP11-2-00853  | SOCKET HEAD CAP SCREW M5X12    |
| 154       | RP11-2-01020  | NUT WITH POLYAMIDE RING M8     |
| 155       | RP11-2-01038  | WASHER FOR HEX CAP SCREW M20   |
| 156       | RP11-2-01040  | SOCKET SET SCREW M12X12        |
| 157       | RP11-2-01097  | SPRING PIN D.5X24              |
| 159       | RP11-2-01266  | SOCKET HEAD CAP SCREW M6X35    |
| 160       | RP11-2-02078  | SOCKET HEAD CAP SCREW M4X30    |
| 161       | RP11-2-02301  | SOCKET HEAD CAP SCREW M8X25    |
| 162       | RP11-2-02362  | CROSS PAN HEAD SCREW M6X10     |
| 163       | RP11-2-02368  | CROSS PAN HEAD SCREW M6X8      |
| 164       | RP11-2-02832  | SOCKET HEAD CAP SCREW M12X25   |
| 165       | RP11-2-03364  | MEDIUM END STUD M8X35          |
| 166       | RP11-2-03389  | MEDIUM END STUD M12X45         |
| 167       | RP11-2-03391  | BEARING                        |
| 168       | RP11-2-03529  | SOCKET HEAD CAP SCREW M8X18    |
| 169       | RP11-2200600  | SET OF GASKET CYLINDER D.75    |
| 170       | RP11-2200641  | COMPLETE CYLINDER D.60         |
| 171       | RP11-2312380C | CONTROL HANDLE                 |
| 172       | RP11-2406681  | COLUMN ROTATION CAM            |
| 173       | RP11-2-71564  | SPRING PIN D.8X40              |
| 174       | RP11-2-91688  | SELF TAPPING SCREW D.3,5X6,5   |
| 175       | RP11-2-94024  | SOCKET HEAD CAP SCREW M8X25    |
| 176       | RP11-3-00057  | ORIENTING ELBOW FITTING 1/8 T6 |
| 177       | RP11-3-00106  | ELBOW MALE ADAPTOR G1/8 T. 6-4 |
| 178       | RP11-3-00119  | TEE MALE ADAPTOR G1/8 T.6-4    |
| 179       | RP11-3-00181  | SILENCER G.1/8                 |
| 180       | RP11-3-00228  | ELBOW MALE ADAPTOR G1/8 M-F    |
| 181       | RP11-3-00469  | QUICK UNION 1/8" 6-4           |
| 182       | RP11-3005194  | WASHER D. 8,1X26,5X4           |
| 183       | RP11-3005803  | HELICAL COMPRESSION SPRING     |
| 184       | RP11-3007126  | RILSAN HOSE D.6-4 L.1000       |
| 185       | RP11-3007871  | CYLINDER D. 60                 |
| 186       | RP11-3009563  | CYLINDER REAR FLANGE D.75      |
| 187       | RP11-3009907  | FRONT FLANGE FOR CYLINDER D.75 |
| 188       | RP11-3010469  | VERTICAL LOCKING REGULATOR     |
| 189       | RP11-3011384  | HORIZONTAL ARM ROLLER          |
| 190       | RP11-3011665  | RILSAN HOSE D.6-4 L.1100       |
| 191       | RP11-3011973  | RILSAN HOSE D.6-4 L. 2200      |

| Index No. | Part Number   | Description                    |
|-----------|---------------|--------------------------------|
| 192       | RP11-3015361  | RILSAN HOSE D.6-4 L. 220       |
| 193       | RP11-3-01641  | PNEUMATIC VALVE                |
| 194       | RP11-3019266  | ECCENTRIC ROLLER               |
| 195       | RP11-3019267  | HORIZONTAL ARM ROLLER          |
| 196       | RP11-3-02020  | CAP                            |
| 197       | RP11-3-02148  | SHOCK ABSORBER D. 23X16 M 6X12 |
| 198       | RP11-3093822  | HORIZONTAL LOCKING CONE        |
| 199       | RP11-3093959  | RILSAN HOSE D.6-4 L. 800       |
| 200       | RP11-3306765  | VERTICAL ARM CAP               |
| 201       | RP11-3307136  | VERTICAL ARM COVER             |
| 202       | RP11-3307163  | VERTICAL ARM GUIDE RING        |
| 203       | RP11-3313786  | ARM PROTECTION WASHER          |
| 204       | RP11-3318138  | HOSES GUIDE                    |
| 205       | RP11-3-90235  | ELBOW MALE ADAPTOR G1/8 T6     |
| 206       | RP11-4-103906 | SPECIAL SCREW D.12X20 M10      |
| 207       | RP11-4208231  | GASKET WITH FLANGE D.75        |
| 208       | RP11-4209564  | O-RING 171                     |
| 209       | RP11-4211471  | PIN ISO8734A D.8X50            |
| 210       | RP11-4212240  | GASKET DE 237                  |
| 211       | RP11-4218947  | SPHERICAL WASHER TYPE C D.8    |
| 212       | RP11-4218948  | CONICAL SEAT TYPE G D.8        |
| 213       | RP11-4-400461 | SPACER COVER H.2               |
| 214       | RP11-4-400528 | RILSAN HOSE D.6-4 L.71         |
| 215       | RP11-4-400555 | REAR ROLLER SUPPORT            |
| 216       | RP11-4-400559 | HOSES GUIDE BUSH               |
| 217       | RP11-4-400563 | HORIZONTAL LOCKING PLATE       |
| 218       | RP11-4-400719 | VERTICAL ARM BRAKET            |
| 219       | RP11-4-401301 | HORIZONTAL LOCKING COVER       |
| 220       | RP11-4-401647 | SWINGING VERTICAL ARM          |
| 221       | RP11-4-401648 | FIXED VERTICAL ARM             |
| 222       | RP11-4-401649 | AUTOMATIC ARM COVER (RED)      |
| 223       | RP11-4-401650 | AUTOMATIC ARM PROTECTION PLATE |
| 225       | RP11-4-402027 | DECAL, MAXIMUM INLET PRESSURE  |
| 226       | RP11-4-402028 | DECAL, WARNING PRESSURE LIMIT  |
| 227       | RP11-4-402038 | DECAL INSTRUCTION HANDLE VALVE |
| 228       | RP11-4-404934 | RILSAN HOSE D.6-4 L.140        |
| 229       | RP11-4-405783 | VERTICAL LOCKING PLATE         |
| 230       | RP11-4-406369 | TOOL HOLDER                    |
| 231       | RP11-4-406407 | CASING FOR CYLINDER D.75       |
| 232       | RP11-5-103998 | HEXAGONAL BAR LL               |
| 233       | RP11-4-406830 | SPRING                         |
| 234       | RP11-4-406835 | VALVE COVER                    |
| 235       | RP11-4-406848 | VALVE HOLDER                   |
| 236       | RP11-4-406849 | HORIZONTAL ARM                 |
| 238       | RP11-4-406918 | CYLINDER FIXING PLATE          |
| 239       | RP11-4-406920 | SHAFT FOR CYLINDER D.20        |
| 240       | RP11-4-407022 | VERTICAL LOCKING COVER         |
| 241       | RP11-443077   | PISTON D. 60                   |
| 242       | RP11-444613   | O-RING 6150 (D.37.47X5.34)     |
| 243       | RP11-5-401953 | COMPLETE VALVE                 |
| 244       | RP11-5-401990 | COMPLETE MANIFOLD              |
| 245       | RP11-5-402007 | CYLINDER D.75X20X83            |
| 246       | RP11-5-490488 | PUSH-BUTTON REPLACING KIT      |
| 247       | RP11-4-107211 | MOUNTING HEAD FIXING WASHER    |
| 248       | RP11-9350197  | MOUNTING HEAD FIXING SCREW     |



TCX575 Tire Changer

REFER TO NEXT SHEET FOR PARTS DESCRIPTION LISTING

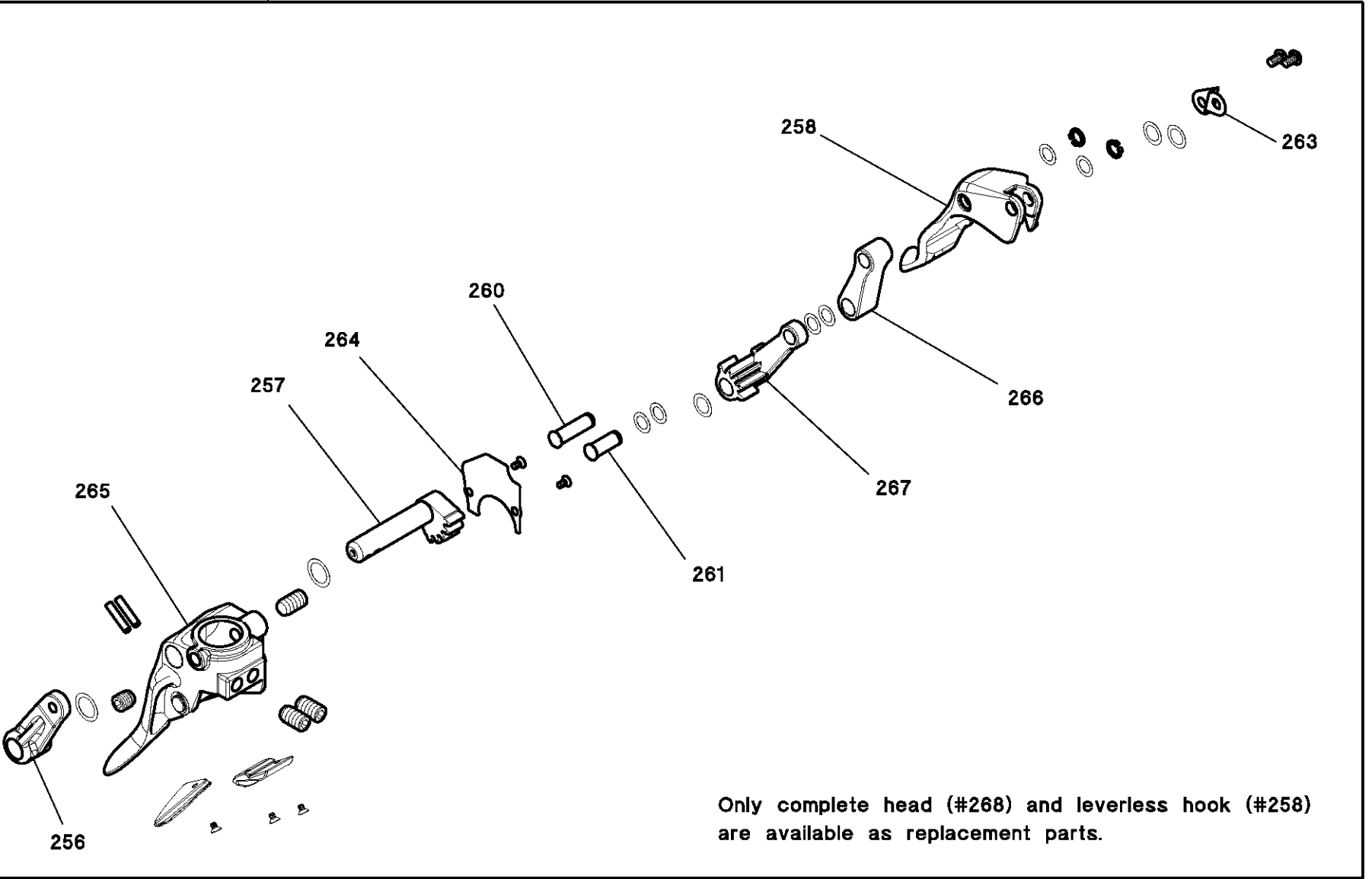
## PARTS DESCRIPTION LISTING

Form 11-33, 12-10a  
Supersedes Form 11-33, 07-10  
Sheet 7 of 17

| Index No. | Part Number   | Description                    |
|-----------|---------------|--------------------------------|
| 2         | RP11-2-00112  | NUT M8                         |
| 6         | RP11-2-01021  | NUT WITH POLYAMIDE RING M12    |
| 9         | RP11-2-02755  | CROSS PAN HEAD SCREW M6X12     |
| 14        | RP11-3010677  | WASHER D. 12,5X30X3            |
| 19        | RP11-4206114  | LIPPED GASKET NSW 20-30-6      |
| 45        | RP11-2-80026  | SOCKET HEAD CAP SCREW M12X35   |
| 57        | RP11-3010912  | WASHER 24X29,5X0,5             |
| 66        | RP11-3-90241  | NORD-LOCK NL12 WASHER          |
| 67        | RP11-4206523  | WEAR RING FOR ROD WRI-20       |
| 70        | RP11-4300414  | RETAINING RING FOR BORE D.30   |
| 93        | RP11-2-00155  | LOW NUT M6                     |
| 101       | RP11-2-03329  | HEXAGON HEAD CAP SCREW M12X100 |
| 107       | RP11-3-00083  | REDUCER G1/8 M-F               |
| 146       | RP11-2-00156  | LOW NUT M8                     |
| 147       | RP11-2-00212  | WASHER FOR HEX CAP SCREW M8    |
| 148       | RP11-2-00214  | WASHER FOR HEX CAP SCREW M12   |
| 149       | RP11-2-00320  | SOCKET HEAD CAP SCREW M8X20    |
| 150       | RP11-2-00372  | HEXAGON HEAD CAP SCREW M8X16   |
| 151       | RP11-2-00688  | SOCKET SET SCREW M6X20         |
| 152       | RP11-2-00723  | NUT M8                         |
| 153       | RP11-2-00853  | SOCKET HEAD CAP SCREW M5X12    |
| 154       | RP11-2-01020  | NUT WITH POLYAMIDE RING M8     |
| 155       | RP11-2-01038  | WASHER FOR HEX CAP SCREW M20   |
| 156       | RP11-2-01040  | SOCKET SET SCREW M12X12        |
| 159       | RP11-2-01266  | SOCKET HEAD CAP SCREW M6X35    |
| 160       | RP11-2-02078  | SOCKET HEAD CAP SCREW M4X30    |
| 161       | RP11-2-02301  | SOCKET HEAD CAP SCREW M8X25    |
| 162       | RP11-2-02362  | CROSS PAN HEAD SCREW M6X10     |
| 163       | RP11-2-02368  | CROSS PAN HEAD SCREW M6X8      |
| 164       | RP11-2-02832  | SOCKET HEAD CAP SCREW M12X25   |
| 165       | RP11-2-03364  | MEDIUM END STUD M8X35          |
| 166       | RP11-2-03389  | MEDIUM END STUD M12X45         |
| 167       | RP11-2-03391  | BEARING                        |
| 168       | RP11-2-03529  | SOCKET HEAD CAP SCREW M8X18    |
| 169       | RP11-2200600  | SET OF GASKET CYLINDER D.75    |
| 170       | RP11-2200641  | COMPLETE CYLINDER D.60         |
| 171       | RP11-2312380C | CONTROL HANDLE                 |
| 172       | RP11-2406681  | COLUMN ROTATION CAM            |
| 174       | RP11-2-91688  | SELF TAPPING SCREW D.3,5X6,5   |
| 175       | RP11-2-94024  | SOCKET HEAD CAP SCREW M8X25    |
| 176       | RP11-3-00057  | ORIENTING ELBOW FITTING 1/8 T6 |
| 177       | RP11-3-00106  | ELBOW MALE ADAPTOR G1/8 T. 6-4 |
| 178       | RP11-3-00119  | TEE MALE ADAPTOR G1/8 T.6-4    |
| 179       | RP11-3-00181  | SILENCER G.1/8                 |
| 180       | RP11-3-00228  | ELBOW MALE ADAPTOR G1/8 M-F    |
| 181       | RP11-3-00469  | QUICK UNION 1/8" 6-4           |
| 182       | RP11-3005194  | WASHER D. 8,1X26,5X4           |
| 183       | RP11-3005803  | HELICAL COMPRESSION SPRING     |
| 184       | RP11-3007126  | RILSAN HOSE D.6-4 L.1000       |
| 185       | RP11-3007871  | CYLINDER D. 60                 |
| 186       | RP11-3009563  | CYLINDER REAR FLANGE D.75      |
| 187       | RP11-3009907  | FRONT FLANGE FOR CYLINDER D.75 |
| 188       | RP11-3010469  | VERTICAL LOCKING REGULATOR     |
| 189       | RP11-3011384  | HORIZONTAL ARM ROLLER          |
| 190       | RP11-3011665  | RILSAN HOSE D.6-4 L.1100       |
| 191       | RP11-3011973  | RILSAN HOSE D.6-4 L. 2200      |

| Index No. | Part Number   | Description                                |
|-----------|---------------|--|
| 192       | RP11-3015361  | RILSAN HOSE D.6-4 L. 220                   |
| 193       | RP11-3-01641  | PNEUMATIC VALVE                            |
| 194       | RP11-3019266  | ECCENTRIC ROLLER                           |
| 195       | RP11-3019267  | HORIZONTAL ARM ROLLER                      |
| 196       | RP11-3-02020  | CAP  |
| 197       | RP11-3-02148  | SHOCK ABSORBER D. 23X16 M 6X12             |
| 198       | RP11-3093822  | HORIZONTAL LOCKING CONE                    |
| 199       | RP11-3093959  | RILSAN HOSE D.6-4 L. 800                   |
| 200       | RP11-3306765  | VERTICAL ARM CAP                           |
| 201       | RP11-3307136  | VERTICAL ARM COVER                         |
| 202       | RP11-3307163  | VERTICAL ARM GUIDE RING                    |
| 203       | RP11-3313786  | ARM PROTECTION WASHER                      |
| 204       | RP11-3318138  | HOSES GUIDE                                |
| 205       | RP11-3-90235  | ELBOW MALE ADAPTOR G1/8 T6                 |
| 206       | RP11-4-103906 | SPECIAL SCREW D.12X20 M10                  |
| 207       | RP11-4208231  | GASKET WITH FLANGE D.75                    |
| 208       | RP11-4209564  | O-RING 171                                 |
| 209       | RP11-4211471  | PIN ISO8734A D.8X50                        |
| 210       | RP11-4212240  | GASKET DE 237                              |
| 211       | RP11-4218947  | SPHERICAL WASHER TYPE C D.8                |
| 212       | RP11-4218948  | CONICAL SEAT TYPE G D.8                    |
| 213       | RP11-4-400461 | SPACER COVER H.2                           |
| 214       | RP11-4-400528 | RILSAN HOSE D.6-4 L.71                     |
| 215       | RP11-4-400555 | REAR ROLLER SUPPORT                        |
| 216       | RP11-4-400559 | HOSES GUIDE BUSH                           |
| 217       | RP11-4-400563 | HORIZONTAL LOCKING PLATE                   |
| 218       | RP11-4-400719 | VERTICAL ARM BRACKET                       |
| 219       | RP11-4-401301 | HORIZONTAL LOCKING COVER                   |
| 220       | RP11-4-401647 | SWINGING VERTICAL ARM                      |
| 221       | RP11-4-401648 | FIXED VERTICAL ARM                         |
| 222       | RP11-4-401649 | AUTOMATIC ARM COVER (RED)                  |
| 223       | RP11-4-401650 | AUTOMATIC ARM PROTECTION PLATE             |
| 225       | RP11-4-402027 | DECAL, MAXIMUM INLET PRESSURE              |
| 226       | RP11-4-402028 | DECAL, WARNING PRESSURE LIMIT              |
| 227       | RP11-4-402038 | DECAL INSTRUCTION HANDLE VALVE             |
| 228       | RP11-4-404934 | RILSAN HOSE D.6-4 L.140                    |
| 229       | RP11-4-405783 | VERTICAL LOCKING PLATE                     |
| 231       | RP11-4-406407 | CASING FOR CYLINDER D.75                   |
| 233       | RP11-4-406830 | SPRING                                     |
| 234       | RP11-4-406835 | VALVE COVER                                |
| 236       | RP11-4-406849 | HORIZONTAL ARM                             |
| 239       | RP11-4-406920 | SHAFT FOR CYLINDER D.20                    |
| 240       | RP11-4-407022 | VERTICAL LOCKING COVER                     |
| 241       | RP11-443077   | PISTON D. 60                               |
| 242       | RP11-444613   | O-RING 6150 (D.37.47X5.34)                 |
| 243       | RP11-5-401953 | COMPLETE VALVE                             |
| 244       | RP11-5-401990 | COMPLETE MANIFOLD                          |
| 245       | RP11-5-402007 | CYLINDER D.75X20X83                        |
| 246       | RP11-5-490488 | PUSH-BUTTON REPLACING KIT                  |
| 247       | RP11-4-107211 | MOUNTING HEAD FIXING WASHER                |
| 248       | RP11-9350197  | MOUNTING HEAD FIXING SCREW                 |
| 540       | RP11-4-406806 | TOOL HOLDER                                |
| 541       | RP11-5-103998 | HEXAGONAL BAR LL                           |
| 543       | RP11-4-406913 | VALVE HOLDER (also order nut RP11-2-00155) |
| 544       | RP11-4-406947 | CYLINDER FIXING PLATE                      |
| 545       | RP11-4-407099 | LABEL, TOOL MOVEMENT                       |

268



Only complete head (#268) and leverless hook (#258) are available as replacement parts.

TCX575 Tire Changer

REFER TO NEXT SHEET FOR PARTS DESCRIPTION LISTING

PARTS DESCRIPTION LISTING

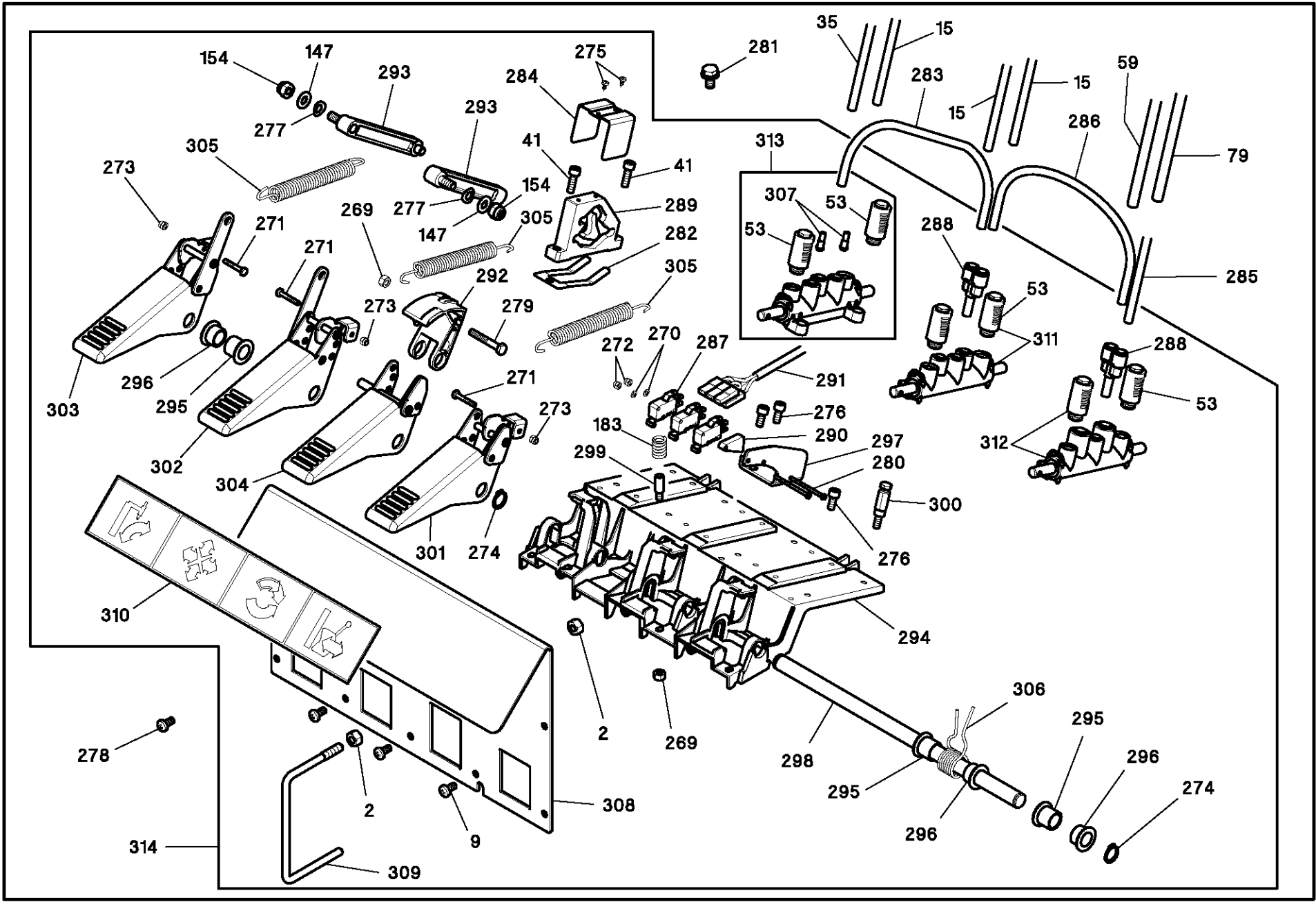
Form 11-33, 12-10a  
 Supersedes Form 11-33, 07-10  
 Sheet 8 of 17

| Index No. | Part Number    | Description    |
|-----------|----------------|----------------|
| 256       | RP11-4-103256A | LEVER          |
| 257       | RP11-4-103264A | GEAR           |
| 258       | RP11-4-103266D | LEVERLESS HOOK |
| 260       | RP11-4-103932  | PIN            |
| 261       | RP11-4-103933  | REAR PIN       |
| 263       | RP11-4-104981  | METAL SHEET    |

| Index No. | Part Number    | Description    |
|-----------|----------------|----------------|
| 264       | RP11-4-106610  | GEAR COVER     |
| 265       | RP11-4-106638A | HEAD WITH PINS |
| 266       | RP11-5-101265  | TRACE          |
| 267       | RP11-5-101266B | TRACE          |
| 268       | RP11-5-102266A | COMPLETE HEAD  |
|           |                |                |

REFER TO NEXT SHEET FOR PARTS DESCRIPTION LISTING

# TCX575 Tire Changer



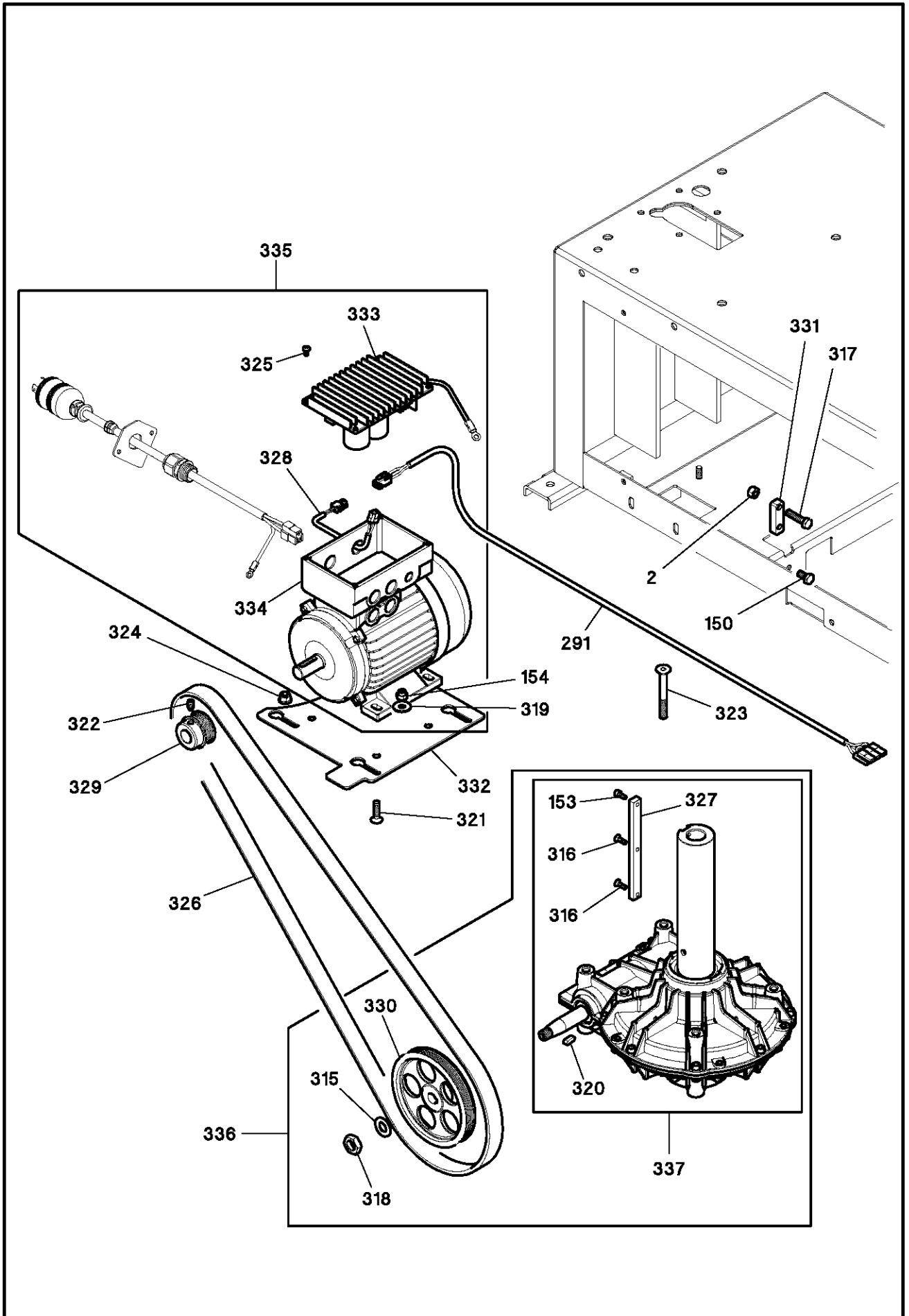


## PARTS DESCRIPTION LISTING

Form 11-33, 12-10a  
Supersedes Form 11-33, 07-10  
Sheet 9 of 17

| Index No. | Part Number   | Description                   |
|-----------|---------------|-------------------------------|
| 2         | RP11-2-00112  | NUT M8                        |
| 9         | RP11-2-02755  | CROSS PAN HEAD SCREW M6X12    |
| 15        | RP11-3015551  | RILSAN HOSE D.8-6 L.1600      |
| 35        | RP11-4-404379 | RILSAN HOSE D.8-6 L.1400      |
| 41        | RP11-2-00310  | SOCKET HEAD CAP SCREW M6X20   |
| 53        | RP11-3-00182  | SILENCER G.1/4                |
| 59        | RP11-3015796  | RILSAN HOSE D.10-8 L.1100     |
| 79        | RP11-4-402011 | RILSAN HOSE D.10-8 L.1400     |
| 147       | RP11-2-00212  | WASHER FOR HEX CAP SCREW M8   |
| 154       | RP11-2-01020  | NUT WITH POLYAMIDE RING M8    |
| 183       | RP11-3005803  | HELICAL COMPRESSION SPRING    |
| 269       | RP11-2-00111  | HIGH NUT M6                   |
| 270       | RP11-2-00208  | WASHER FOR HEX CAP SCREW M3   |
| 271       | RP11-2-00397  | HEXAGON HEAD CAP SCREW M4X25  |
| 272       | RP11-2-01017  | NUT WITH POLYAMIDE RING M3    |
| 273       | RP11-2-01018  | NUT WITH POLYAMIDE RING M4    |
| 274       | RP11-2-01122  | RETAINING RING FOR SHAFT D.15 |
| 275       | RP11-2-01272  | SELF-TAPPING SCREW D.2,9X9,5  |
| 276       | RP11-2-02092  | SOCKET HEAD CAP SCREW M6X14   |
| 277       | RP11-2-02248  | UNDULATED SPRING WASHER D.8   |
| 278       | RP11-2-02364  | CROSS PAN HEAD SCREW M6X16    |
| 279       | RP11-2-02811  | HEXAGON HEAD CAP SCREW M6X40  |
| 280       | RP11-2-03355  | SOCKET HEAD CAP SCREW M3X45   |
| 281       | RP11-2-03532  | HEXAGON FLANGE BOLTS M8X20    |
| 282       | RP11-3006149  | FORK LEAF SPRING              |
| 283       | RP11-3009182  | RILSAN HOSE D.8-6 L.240       |
| 284       | RP11-3009605  | CONNECTING ROD GUIDE BRACKET  |
| 285       | RP11-3009930  | RILSAN HOSE D.8-6 L.1200      |
| 286       | RP11-3014052  | RILSAN HOSE D.8-6 L.300       |

| Index No. | Part Number   | Description                    |
|-----------|---------------|--------------------------------|
| 287       | RP11-3-01451  | MICROSWITCH                    |
| 288       | RP11-3-02192  | Y MALE ADAPTOR C8-T8           |
| 289       | RP11-3306148  | TRIP CAM                       |
| 290       | RP11-4-401717 | SPACER FOR MICROSWITCH SUPPORT |
| 291       | RP11-4-402009 | MICROSWITCH CABLE              |
| 292       | RP11-4-403658 | MICROSWITCHES DRIVE CAM        |
| 293       | RP11-4-403659 | CAM CONNECTING ROD             |
| 294       | RP11-4-403686 | PEDAL BASE                     |
| 295       | RP11-4-403702 | SPRING BUSH H.18               |
| 296       | RP11-4-403703 | SPRING BUSH H.13               |
| 297       | RP11-4-403709 | MICROSWITCHES SUPPORT          |
| 298       | RP11-4-403715 | PEDAL PIN                      |
| 299       | RP11-4-403732 | SPRING PIN                     |
| 300       | RP11-4-403734 | SPECIAL SCREW                  |
| 301       | RP11-4-403740 | BEAD-BREAKER PEDAL             |
| 302       | RP11-4-403774 | LEFT PEDAL                     |
| 303       | RP11-4-403777 | RIGHT PEDAL                    |
| 304       | RP11-4-403778 | RIGHT MICROSWITCH PEDAL        |
| 305       | RP11-4-403790 | TENSION SPRING                 |
| 306       | RP11-4-403791 | HELICAL TORSION SPRING         |
| 307       | RP11-4-404362 | NARROWING PIECE D.1,70         |
| 308       | RP11-4-404432 | FRONT PANEL                    |
| 309       | RP11-4-404435 | PEDALS SEPARATOR               |
| 310       | RP11-4-404470 | DECAL, 2 SPEED PEDAL           |
| 311       | RP11-5-400951 | COMPLETE RIGHT VALVE T.8       |
| 312       | RP11-5-400953 | COMPLETE RIGHT VALVE T.10      |
| 313       | RP11-5-490749 | VALVE WITH NARROWING PIECES    |
| 314       | RP11-5-490928 | COMPLETE PEDAL SYSTEM          |



### TCX575 Tire Changer

REFER TO NEXT SHEET FOR PARTS DESCRIPTION LISTING

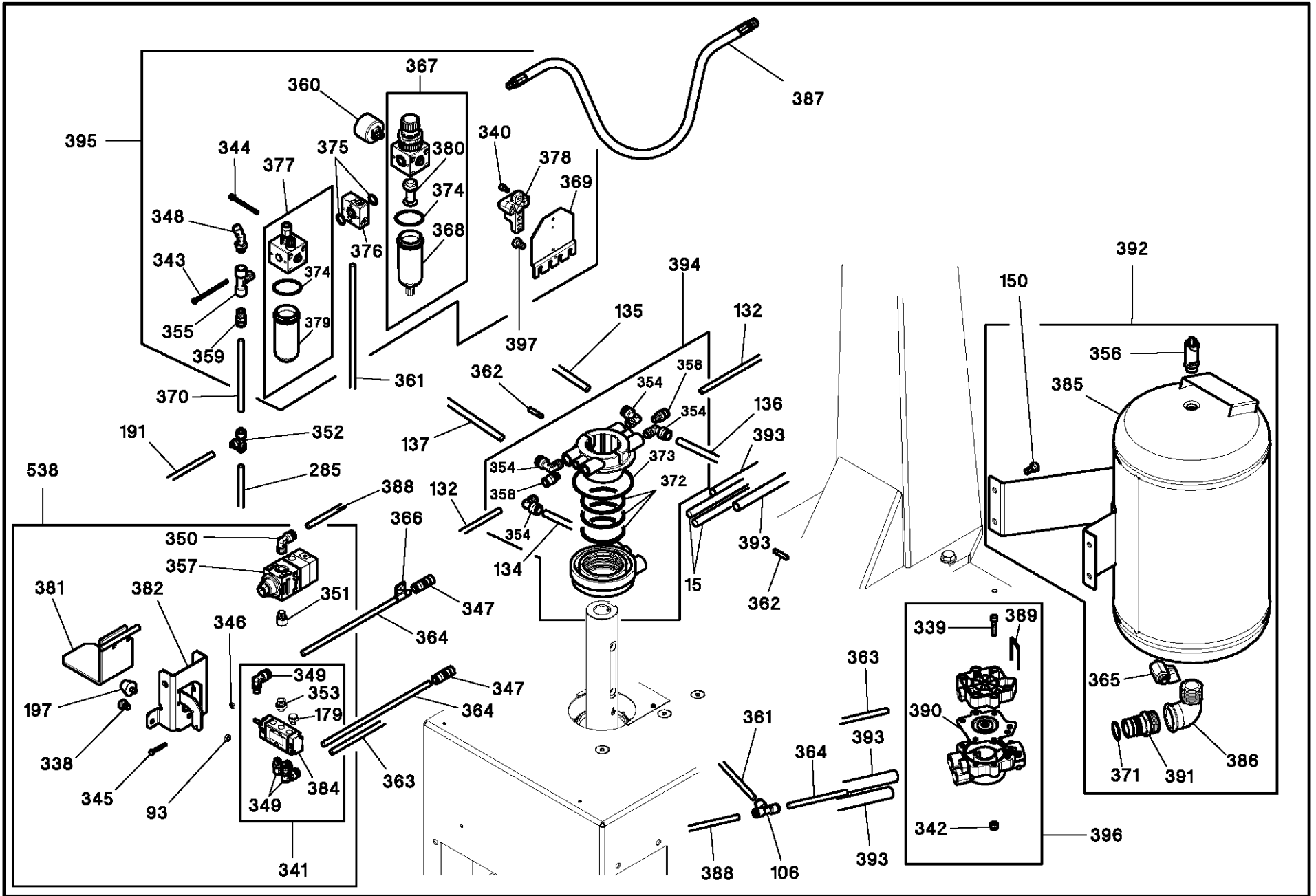
## PARTS DESCRIPTION LISTING

Form 11-33, 12-10a  
Supersedes Form 11-33, 07-10  
Sheet 10 of 17

| Index No. | Part Number   | Description                    |
|-----------|---------------|--------------------------------|
| 2         | RP11-2-00112  | NUT M8                         |
| 150       | RP11-2-00372  | HEXAGON HEAD CAP SCREW M8X16   |
| 153       | RP11-2-00853  | SOCKET HEAD CAP SCREW M5X12    |
| 154       | RP11-2-01020  | NUT WITH POLYAMIDE RING M8     |
| 291       | RP11-4-402009 | MICROSWITCH CABLE              |
| 315       | RP11-2-00215  | WASHER FOR HEX CAP SCREW M14   |
| 316       | RP11-2-00692  | SOCKET COUNTERSUNK SCREW M5X16 |
| 317       | RP11-2-00795  | HEXAGON HEAD CAP SCREW M8X35   |
| 318       | RP11-2-00941  | HEXAGON THIN NUT M14           |
| 319       | RP11-2-01299  | WASHER D.9X24X2                |
| 320       | RP11-2-01950  | PARALLEL KEY 6X6X18            |
| 321       | RP11-2-02032  | SOCKET COUNTERSUNK SCREW M8X30 |
| 322       | RP11-2-02561  | SOCKET SET SCREW M8X14         |
| 323       | RP11-2-02974  | SOCKET COUNTERSUNK SCREWM10X80 |

| Index No. | Part Number   | Description                    |
|-----------|---------------|--------------------------------|
| 324       | RP11-2-03365  | NUT WITH FLANGE DIN6926 M8     |
| 325       | RP11-2-91647  | CROSS PAN HEAD SCREW M5X12     |
| 326       | RP11-3-01576  | POLY-V BELT J6-914             |
| 327       | RP11-3019721  | PARALLEL KEY FOR CHUCK         |
| 328       | RP11-4-101692 | ELECTRIC MOTOR CONTROL CABLE   |
| 329       | RP11-4-401658 | MOTOR-INVERTER PULLEY J6       |
| 330       | RP11-4-401661 | GEARBOX PULLEY 6J              |
| 331       | RP11-4-401862 | ADJUSTING SCREW SUPPORT PLATE  |
| 332       | RP11-4-401911 | MOTOR SUPPORT PLATE            |
| 333       | RP11-4-405602 | INVERTER PCB 230V + DISSIPATOR |
| 334       | RP11-4-405856 | ELECTRIC MOTOR(WITHOUT INVERT) |
| 335       | RP11-5-400725 | MOTOR WITH FEEDING CABLE       |
| 336       | RP11-5-490554 | COMPLETE GEARBOX               |
| 337       | RP11-5-491117 | GEARBOX                        |

TCX575 Tire Changer

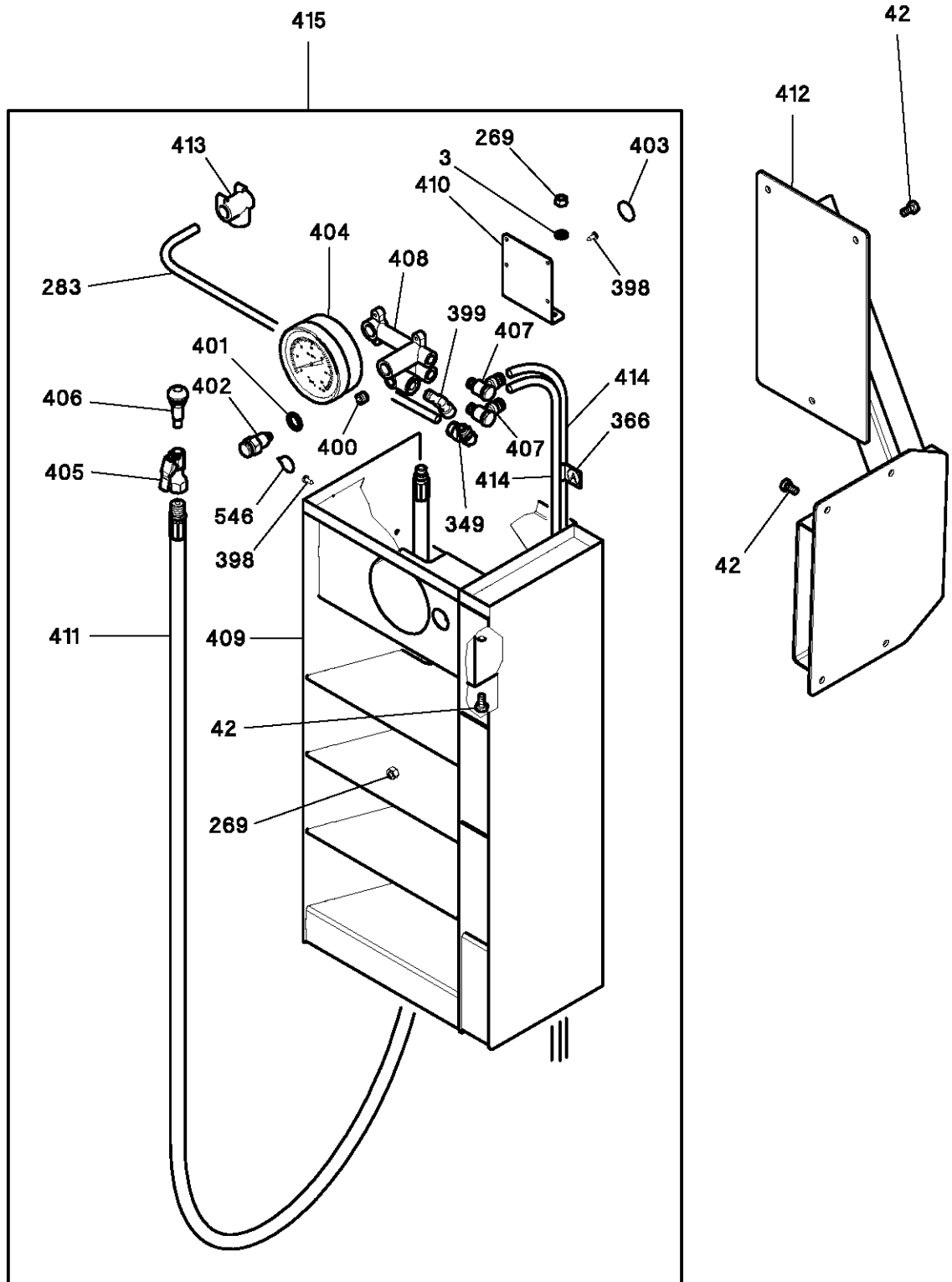


## PARTS DESCRIPTION LISTING

Form 11-33, 12-10a  
Supersedes Form 11-33, 07-10  
Sheet 11 of 17

| Index No. | Part Number   | Description                    |
|-----------|---------------|--------------------------------|
| 15        | RP11-3015551  | RILSAN HOSE D.8-6 L.1600       |
| 93        | RP11-2-00155  | LOW NUT M6                     |
| 106       | RP11-3-00025  | TEE CONNECTOR T.8              |
| 132       | RP11-4-401988 | POLYURETHAN SPIRAL HOSE T8-5   |
| 134       | RP11-4-401999 | POLYURETHAN HOSE D10-6,5 L610  |
| 135       | RP11-4-402000 | POLYURETHAN HOSE D10-6,5 L550  |
| 136       | RP11-4-402015 | POLYURETHAN SPIRAL HOSE 10-6,5 |
| 137       | RP11-4-402016 | POLYURETHAN SPIRAL HOSE 10-6,5 |
| 150       | RP11-2-00372  | HEXAGON HEAD CAP SCREW M8X16   |
| 179       | RP11-3-00181  | SILENCER G.1/8                 |
| 191       | RP11-3011973  | RILSAN HOSE D.6-4 L. 2200      |
| 197       | RP11-3-02148  | SHOCK ABSORBER D. 23X16 M 6X12 |
| 285       | RP11-3009930  | RILSAN HOSE D.8-6 L.1200       |
| 338       | RP11-2-00371  | HEXAGON HEAD CAP SCREW M8X10   |
| 339       | RP11-2-00863  | SOCKET HEAD CAP SCREW M6X30    |
| 340       | RP11-2-00891  | SOCKET HEAD CAP SCREW M5X10    |
| 341       | RP11-5-490746 | COMPLETE INFLATING VALVE       |
| 342       | RP11-2-01979  | NUT WITH POLYAMIDE RING M6     |
| 343       | RP11-2-03033  | SOCKET HEAD CAP SCREW M4X70    |
| 344       | RP11-2-03034  | SOCKET HEAD CAP SCREW M4X55    |
| 345       | RP11-2-71381  | HEXAGON HEAD CAP SCREW M4X30   |
| 346       | RP11-2-71516  | LOW NUT M4                     |
| 347       | RP11-3-00016  | STRAIGHT CONNECTOR T.8         |
| 348       | RP11-3-00058  | ORIENTING ELBOW FITTING 1/4 T6 |
| 349       | RP11-3-00059  | ORIENTING ELBOW FITTING 1/8 T8 |
| 350       | RP11-3-00060  | ORIENTING ELBOW FITTING 1/4 T8 |
| 351       | RP11-3-00082  | REDUCER G1/4 M-F               |
| 352       | RP11-3-00115  | TEE CONNECTOR T.8/6-T6/4       |
| 353       | RP11-3-00135  | REDUCING NIPPLE G1/8-G1/4      |
| 354       | RP11-3-00227  | ELBOW MALE ADAPTOR G1/4 T.10   |
| 355       | RP11-3-00306  | TEE MALE ADAPTOR G1/4 F-F      |
| 356       | RP11-3-00361  | SAFETY VALVE 11 BAR G3/8"      |
| 357       | RP11-3-00389  | QUICK INFLATING VALVE G1/4     |
| 358       | RP11-3-00477  | STRAIGHT MALE ADAPTOR G1/8 T.8 |
| 359       | RP11-3-00478  | STRAIGHT MALE ADAPTOR G1/4 T.8 |
| 360       | RP11-3-00488  | MANOMETER G1/8 0-12BAR         |
| 361       | RP11-3009007  | RILSAN HOSE D.8-6 L.1300       |

| Index No. | Part Number    | Description                   |
|-----------|----------------|-------------------------------|
| 362       | RP11-3010107   | SCREW FOR ROTATING UNION      |
| 363       | RP11-3010923   | RILSAN HOSE D.8-6 L.800       |
| 364       | RP11-3015501   | RILSAN HOSE D.8-6 L.600       |
| 365       | RP11-3-01569   | BALL VALVE G.1/4 M-F          |
| 366       | RP11-3015825   | DECAL, A-A HOSES CONNECTION   |
| 367       | RP11-3-01851   | COMPLETE FILTER UNIT          |
| 368       | RP11-3-01852   | FILTER TANK                   |
| 369       | RP11-3019623   | PNEUMATIC ASSEMBLY SUPPORT    |
| 370       | RP11-3093866   | RILSAN HOSE D.8-6 L.400       |
| 371       | RP11-3-90168   | O-RING (ORM 24.4X2.0)         |
| 372       | RP11-4210092   | O-RING 3250 (2.62x63.17)      |
| 373       | RP11-4210093   | O-RING 90X2 DIN3770           |
| 374       | RP11-4212295   | O-RING 2125 (1,78X31,47)      |
| 375       | RP11-4216117   | O-RING 2056 (1,78X14)         |
| 376       | RP11-4220002   | CONNECTING BLOCK              |
| 377       | RP11-4220004   | COMPLETE LUBRICATOR UNIT      |
| 378       | RP11-4220005   | FILTER AND LUBRICATOR HOLDER  |
| 379       | RP11-4220007   | LUBRICATOR TANK               |
| 380       | RP11-4220008   | FILTER                        |
| 381       | RP11-4-401720  | PEDAL                         |
| 382       | RP11-4-401726  | PEDAL SUPPORT WITH STOP       |
| 384       | RP11-4-401730  | INFLATING VALVE               |
| 385       | RP11-4-401805  | TANK 4.6 GAL.CONFORMITY ASME  |
| 386       | RP11-4-401808  | MALE ELBOW G1 M-F             |
| 387       | RP11-4-401945  | AIR INLET HOSE G1/4-1/4NPT    |
| 388       | RP11-4-402453  | RILSAN HOSE D.8-6 L.190       |
| 389       | RP11-4-403678  | U FORK                        |
| 390       | RP11-4-403680  | DIAPHRAGM                     |
| 391       | RP11-4-403685  | MALE ADAPTER G.1              |
| 392       | RP11-4-403814  | COMPLETE AIR TANK 4.6 GAL     |
| 393       | RP11-4-403819  | RILSAN HOSE D. 14-11 L.1000   |
| 394       | RP11-5-400420  | COMPLETE ROTATING UNION       |
| 395       | RP11-5-400497A | PRESSURE REGULATOR+LUBRICATOR |
| 396       | RP11-5-400942  | COMPLETE INFLATING VALVE      |
| 397       | RP11-2-01267   | HEXAGON HEAD CAP SCREW M8X12  |
| 538       | RP11-5-400436  | INFLATING DEVICE PEDAL        |



### TCX575 Tire Changer

REFER TO NEXT SHEET FOR PARTS DESCRIPTION LISTING

## PARTS DESCRIPTION LISTING

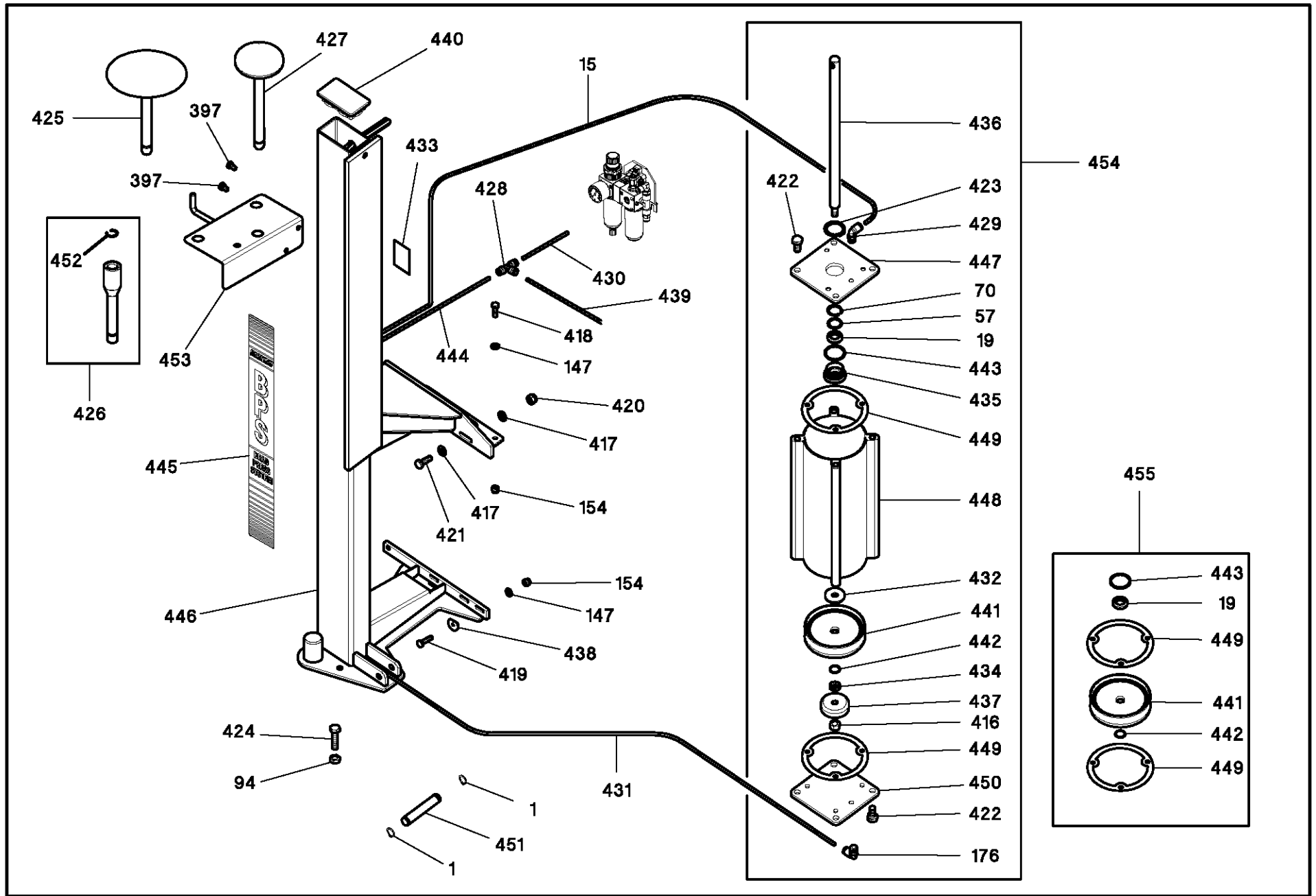
Form 11-33, 12-10a  
Supersedes Form 11-33, 07-10  
Sheet 12 of 17

| Index No. | Part Number  | Description                    |
|-----------|--------------|--------------------------------|
| 3         | RP11-2-00211 | WASHER FOR HEX CAP SCREW M6    |
| 42        | RP11-2-00360 | HEXAGON HEAD CAP SCREW M6X12   |
| 269       | RP11-2-00111 | HIGH NUT M6                    |
| 283       | RP11-3009182 | RILSAN HOSE D.8-6 L.240        |
| 349       | RP11-3-00059 | ORIENTING ELBOW FITTING 1/8 T8 |
| 366       | RP11-3015825 | DECAL, A-A HOSES CONNECTION    |
| 398       | RP11-2-01321 | SELF-TAPPING SCREW D.3,5X9,5   |
| 399       | RP11-3-00138 | FEMALE ELBOW G1/8              |
| 400       | RP11-3-00198 | MALE PLUG G1/8                 |
| 401       | RP11-3-00445 | NYLON NOTCHED-WASHER G1/4      |
| 402       | RP11-3012530 | PUSH-BUTTON                    |
| 403       | RP11-3014074 | DECAL, A                       |
| 404       | RP11-3-01552 | PRESSURE GAUGE G1/4 0-60PSI    |

| Index No. | Part Number   | Description                    |
|-----------|---------------|--------------------------------|
| 405       | 145-341-2     | CLIP-ON AIR CHUCK              |
| 406       | RP11-3-01568  | RUBBER CORE VALVE              |
| 407       | RP11-3-01714  | ORIENTING ELBOW FITTING 1/8 T8 |
| 408       | RP11-3315381  | MANIFOLD                       |
| 409       | RP11-4-401750 | TOOL STORAGE                   |
| 410       | RP11-4-401751 | MANIFOLD SUPPORT               |
| 411       | RP11-4-401800 | AIR OUTLET HOSE G1/8-1/4NPT    |
| 412       | RP11-4-401867 | PO/ULGS SUPPORT                |
| 413       | RP11-4-402065 | TEE CROSS WITH CARTRIDGE       |
| 414       | RP11-4-402141 | POLYURETHAN HOSE D.8-6 L.1100  |
| 415       | RP11-5-400444 | PO ULGS TOOL STORAGE           |
| 546       | RP11-4-402021 | DECAL MANUAL BLEED VALVE       |

# TCX575 Tire Changer

REFER TO NEXT SHEET FOR PARTS DESCRIPTION LISTING



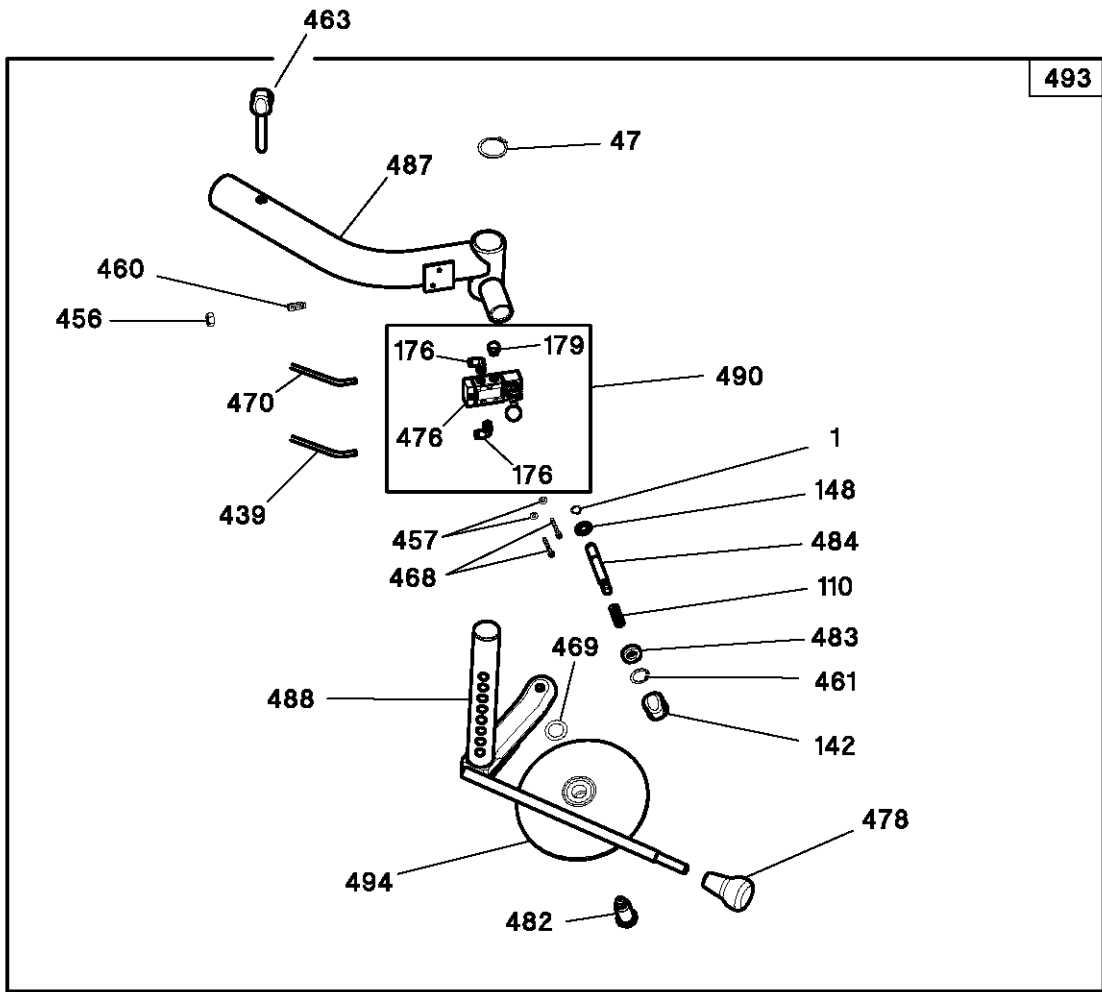
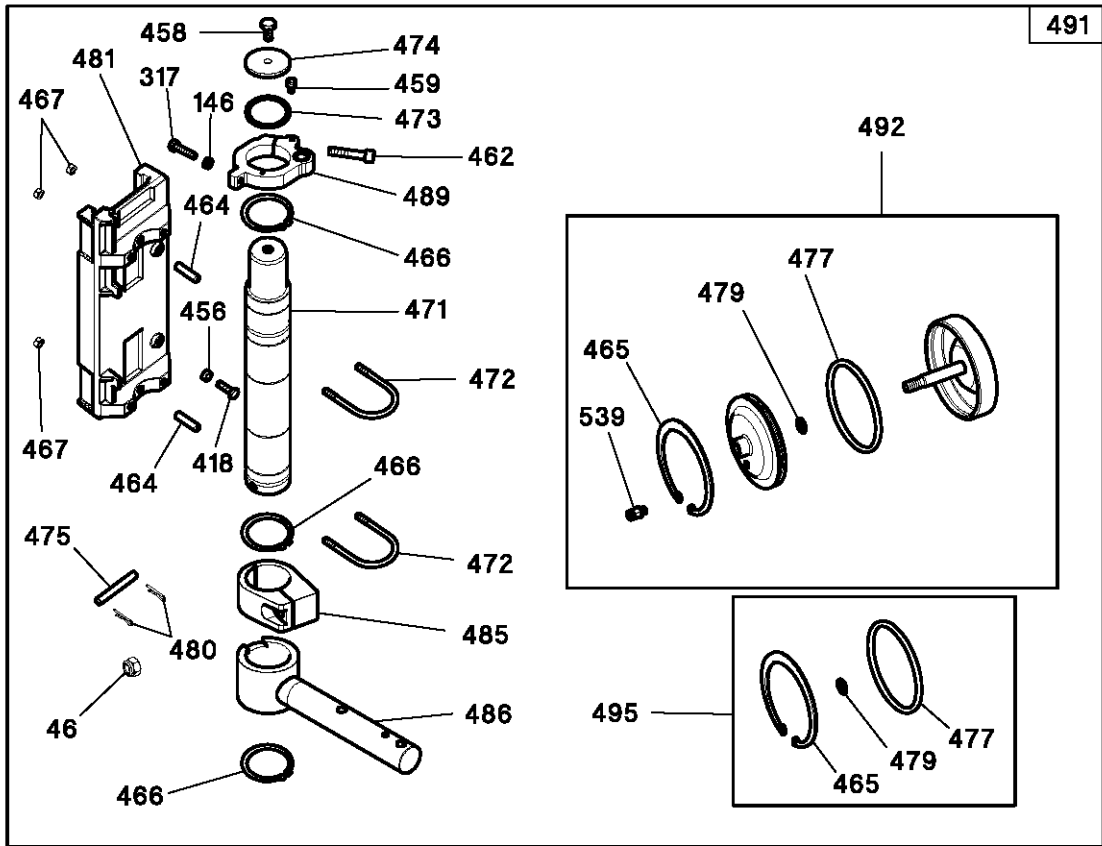


## PARTS DESCRIPTION LISTING

Form 11-33, 12-10a  
Supersedes Form 11-33, 07-10  
Sheet 13 of 17

| Index No. | Part Number   | Description                                    |
|-----------|---------------|--|
| 1         | RP11-2-00025  | RETAINING RING FOR SHAFT D.12                  |
| 15A       | RP11-4-402006 | RILSAN HOSE D.6-4 L.1600 (UP TO S/N IFN714578) |
| 15B       | RP11-3015551  | RILSAN HOSE D.8-6 L.1600 (FROM S/N IFN714579)  |
| 19        | RP11-4206114  | LIPPED GASKET NSW 20-30-6                      |
| 57        | RP11-3010912  | WASHER 24X29,5X0,5                             |
| 70        | RP11-4300414  | RETAINING RING FOR BORE D.30                   |
| 94        | RP11-2-00158  | NUT M12  |
| 147       | RP11-2-00212  | WASHER FOR HEX CAP SCREW M8                    |
| 154       | RP11-2-01020  | NUT WITH POLYAMIDE RING M8                     |
| 176A      | RP11-3-00057  | ELBOW FITTING 1/8 T6 (UP TO S/N IFN714578)     |
| 176B      | RP11-3-00059  | ELBOW FITTING 1/8 T8 (FROM S/N IFN714579)      |
| 397       | RP11-2-01267  | HEXAGON HEAD CAP SCREW M8X12                   |
| 416       | RP11-2-00114  | HIGH NUT M 12                                  |
| 417       | RP11-2-00213  | WASHER FOR HEX CAP SCREW M10                   |
| 418       | RP11-2-00374  | HEXAGON HEAD CAP SCREW M8X25                   |
| 419       | RP11-2-00375  | HEXAGON HEAD CAP SCREW M8X30                   |
| 420       | RP11-2-01019  | NUT WITH POLYAMIDE RING M10                    |
| 421       | RP11-2-01037  | HEXAGON HEAD CAP SCREW M10X30                  |
| 422       | RP11-2-01225  | SCREW M 12X25                                  |
| 423       | RP11-2-02976  | RETAINING RING FOR SHAFT D.36                  |
| 424       | RP11-2-03257  | HEXAGON HEAD CAP SCREW M12X45                  |
| 425       | RP11-2121350  | RIM HOLE PRESSING CONE                         |
| 426       | RP11-2202239  | RIM HOLE PRESSING EXTENSION                    |
| 427       | RP11-2413305  | RIM HOLE PRESSING CONE                         |
| 428       | RP11-3-00024  | T-QUICK UNION 6-4 6-4 6-4                      |
| 429A      | RP11-3-00217  | L-QUICK UNION 1/8" 6-4 (UP TO S/N IFN714578)   |
| 429B      | RP11-3-00059  | ELBOW FITTING 1/8 T8 (FROM S/N IFN714579)      |
| 430       | RP11-3007125  | RILSAN HOSE D.6-4 L. 200                       |

| Index No. | Part Number    | Description                                    |
|-----------|----------------|--|
| 431A      | RP11-3007469   | RILSAN HOSE D.6-4 L.2000 (UP TO S/N IFN714578) |
| 431B      | RP11-3013558   | RILSAN HOSE D.8-6 L.2000 (FROM S/N IFN714579)  |
| 432       | RP11-3011673   | WASHER 12.5X40X5                               |
| 433       | RP11-3014257   | "MAX 10 BAR" LABEL                             |
| 434       | RP11-3017857   | PISTON BUSH                                    |
| 435       | RP11-3019383   | GASKET BUSH                                    |
| 436       | RP11-3019384   | SHAFT D.20                                     |
| 437       | RP11-3019385   | PISTON SPACER                                  |
| 438       | RP11-3020812   | WASHER 8.1X26.5X4                              |
| 439       | RP11-3093960   | RILSAN HOSE D.6-4 L. 1250                      |
| 440       | RP11-3316346   | PLASTIC CAP 100X60X4-5                         |
| 441       | RP11-4212431   | GASKET WITH FLANGE D.125                       |
| 442       | RP11-4215477   | O-RING 4050 (3,53X12,29)                       |
| 443       | RP11-4219438   | O-RING 3150 (2,62X37,77)                       |
| 444       | RP11-4-402006  | RILSAN HOSE D.6-4 L.1600                       |
| 445       | RP11-4-402018  | DECAL, BPS                                     |
| 446       | RP11-4-403457  | FRAME  |
| 447       | RP11-4-403464  | FRONT FLANGE                                   |
| 448       | RP11-4-403465  | CASING D.125                                   |
| 449       | RP11-4-403468  | CASING GASKET                                  |
| 450       | RP11-4-403469  | REAR FLANGE                                    |
| 451       | RP11-4-403794  | CYLINDER LOWER PIN                             |
| 452       | RP11-4-404286  | RETAINING RING                                 |
| 453       | RP11-4-405127  | CONES HOLDER                                   |
| 454A      | RP11-5-400901  | COMPLETE CYLINDER T.6 (UP TO S/N IFN714578)    |
| 454B      | RP11-5-400901A | COMPLETE CYLINDER T.8 (FROM S/N IFN714579)     |
| 455       | RP11-5-491086  | SET OF GASKETS CYLINDER D.125                  |



### TCX575 Tire Changer

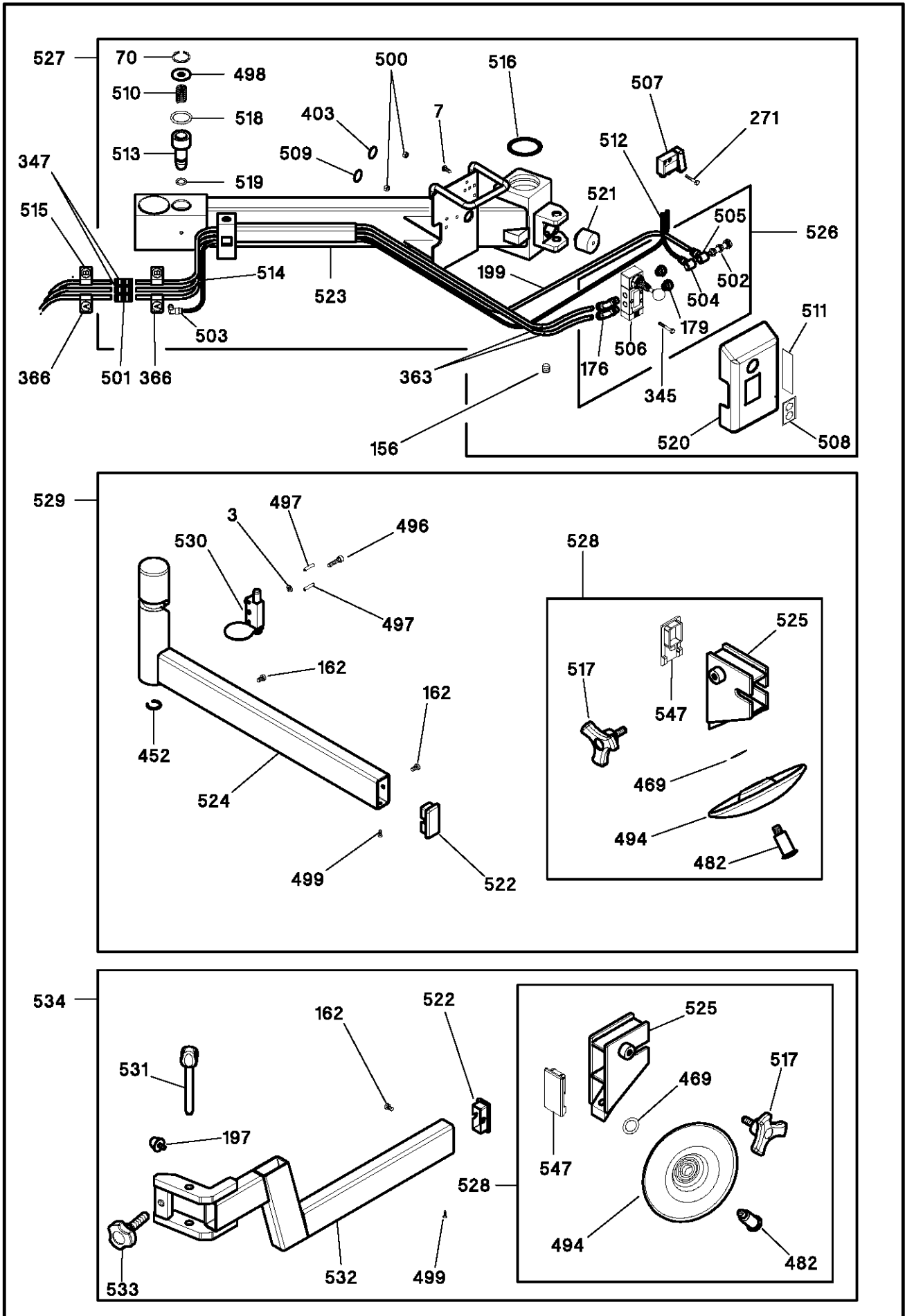
REFER TO NEXT SHEET FOR PARTS DESCRIPTION LISTING

## PARTS DESCRIPTION LISTING

Form 11-33, 12-10a  
Supersedes Form 11-33, 07-10  
Sheet 14 of 17

| Index No. | Part Number   | Description                    |
|-----------|---------------|--------------------------------|
| 1         | RP11-2-00025  | RETAINING RING FOR SHAFT D.12  |
| 46        | RP11-2-01106  | NUT WITH POLYAMIDE RING M14    |
| 47        | RP11-2-01139  | RETAINING RING FOR SHAFT D.35  |
| 110       | RP11-3010598  | HELICAL COMPRESSION SPRING     |
| 142       | RP11-4-406067 | HANDLE                         |
| 146       | RP11-2-00156  | LOW NUT M8                     |
| 148       | RP11-2-00214  | WASHER FOR HEX CAP SCREW M12   |
| 176       | RP11-3-00057  | ORIENTING ELBOW FITTING 1/8 T6 |
| 179       | RP11-3-00181  | SILENCER G.1/8                 |
| 317       | RP11-2-00795  | HEXAGON HEAD CAP SCREW M8X35   |
| 418       | RP11-2-00374  | HEXAGON HEAD CAP SCREW M8X25   |
| 439       | RP11-3093960  | RILSAN HOSE D.6-4 L. 1250      |
| 456       | RP11-2-00151  | NUT M8                         |
| 457       | RP11-2-00209  | WASHER FOR HEX CAP SCREW M4    |
| 458       | RP11-2-00379  | HEXAGON HEAD CAP SCREW M10X20  |
| 459       | RP11-2-01006  | SOCKET HEAD CAP SCREW M6X8     |
| 460       | RP11-2-01066  | SCREW M 8X20                   |
| 461       | RP11-2-01190  | RETAINING RING FOR BORE D.25   |
| 462       | RP11-2-01237  | SOCKET HEAD CAP SCREW M10X50   |
| 463       | RP11-2016258  | BEAD BREAKER ARM LOCKING       |
| 464       | RP11-2-03010  | PARALLEL PIN ISO8734A D.10X40  |
| 465       | RP11-2-03635  | RETAINING RING FOR BORE D.130  |
| 466       | RP11-2-71592  | RETAINING RING FOR SHAFT D.60  |
| 467       | RP11-2-94009  | SELF-LOCKING METAL NUT M8      |
| 468       | RP11-2-94018  | SOCKET HEAD CAP SCREW M4X30    |
| 469       | RP11-3011413  | WASHER 20.5X30X0.3             |
| 470       | RP11-3011303  | PNEUMATIC HOSE 6-4 L=610       |

| Index No. | Part Number   | Description                    |
|-----------|---------------|--------------------------------|
| 471       | RP11-3019415  | SHAFT D.60                     |
| 472       | RP11-3019459  | FORK                           |
| 473       | RP11-3019488  | WASHER 50.5X60X1               |
| 474       | RP11-3019535  | WASHER 10.5X60X6               |
| 475       | RP11-3019577  | CYLINDER UPPER PIN             |
| 476       | RP11-3-03200  | MANUALLY ACTUATED VALVE G1/8   |
| 477       | RP11-3-03202  | O-RING 8462 (7X116.84)         |
| 478       | RP11-4211712  | HANDLE                         |
| 479       | RP11-4215293  | O-RING 2-114                   |
| 480       | RP11-4300179  | HAIR PIN                       |
| 481       | RP11-4-403691 | CARRIAGE                       |
| 482       | RP11-4-404296 | BEAD BREAKER ROLLER PIN        |
| 483       | RP11-4-405085 | BUSH                           |
| 484       | RP11-4-405100 | STOPPER PIN                    |
| 485       | RP11-4-406877 | LOCKING PLATE                  |
| 486       | RP11-4-406885 | ARM SUPPORT                    |
| 487       | RP11-4-406888 | BEAD BREAKER ARM               |
| 488       | RP11-4-406893 | DISC SUPPORT                   |
| 489       | RP11-5-400955 | STROKE END WITH BUSH           |
| 490       | RP11-5-401998 | COMPLETE VALVE                 |
| 491       | RP11-5-402000 | COMPLETE CARRIAGE              |
| 492       | RP11-5-491208 | COMPLETE BRAKE CYLINDER D.130  |
| 493       | RP11-5-402003 | COMPLETE BEAD BREAKER ARM      |
| 494       | RP11-5-490976 | BEAD PRESSING DISC             |
| 495       | RP11-5-491195 | SET OF GASKET CYLINDER D.130   |
| 539       | RP11-3-00476  | STRAIGHT MALE ADAPTOR G1/8 T.6 |



### TCX575 Tire Changer

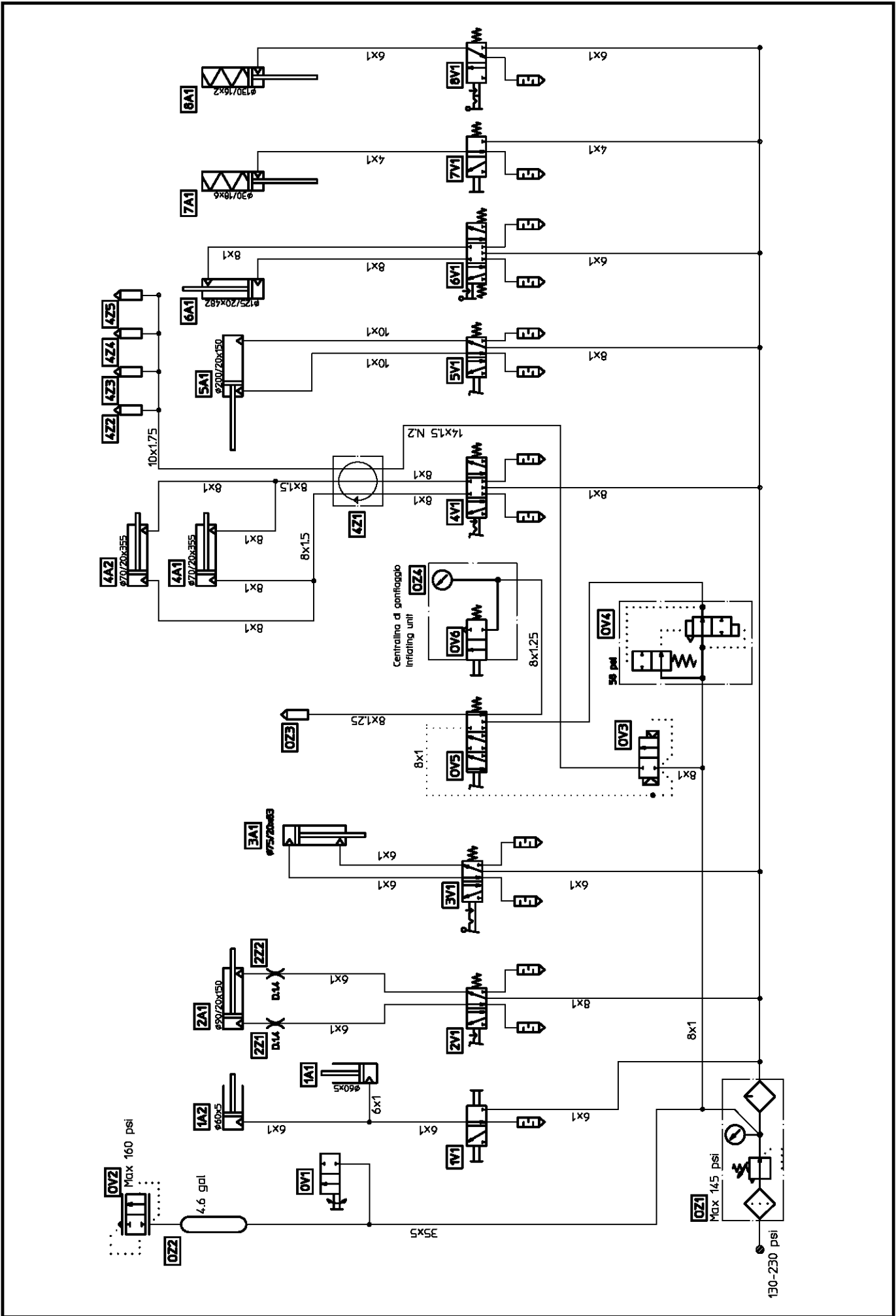
REFER TO NEXT SHEET FOR PARTS DESCRIPTION LISTING

## PARTS DESCRIPTION LISTING

Form 11-33, 12-10a  
Supersedes Form 11-33, 07-10  
Sheet 15 of 17

| Index No. | Part Number   | Description                                    |
|-----------|---------------|--|
| 3         | RP11-2-00211  | WASHER FOR HEX CAP SCREW M6                    |
| 7         | RP11-2-02411  | SELF-TAPPING SCREW D.4,8X16                    |
| 70        | RP11-4300414  | RETAINING RING FOR BORE D.30                   |
| 156       | RP11-2-01040  | SOCKET SET SCREW M12X12                        |
| 162       | RP11-2-02362  | CROSS PAN HEAD SCREW M6X10                     |
| 176A      | RP11-3-00057  | ELBOW FITTING 1/8 T6 (UP TO S/N IFN714578)     |
| 176B      | RP11-3-00059  | ELBOW FITTING 1/8 T8 (FROM S/N IFN714579)      |
| 179       | RP11-3-00181  | SILENCER G.1/8                                 |
| 197       | RP11-3-02148  | SHOCK ABSORBER D. 23X16 M 6X12                 |
| 199       | RP11-3093959  | RILSAN HOSE D.6-4 L. 800                       |
| 271       | RP11-2-00397  | HEXAGON HEAD CAP SCREW M4X25                   |
| 345       | RP11-2-71381  | HEXAGON HEAD CAP SCREW M4X30                   |
| 347A      | RP11-3-00015  | STRAIGHT CONNECTOR T.6 (UP TO S/N IFN714578)   |
| 347B      | RP11-3-00016  | STRAIGHT CONNECTOR T.8 (FROM S/N IFN714579)    |
| 363A      | RP11-3093959  | RILSAN HOSE D.6-4 L. 800 (UP TO S/N IFN714578) |
| 363B      | RP11-3010923  | RILSAN HOSE D.8-6 L.800 (FROM S/N IFN714579)   |
| 366       | RP11-3015825  | DECAL, A-A HOSES CONNECTION                    |
| 403       | RP11-3014074  | DECAL, A                                       |
| 452       | RP11-4-404286 | RETAINING RING                                 |
| 469       | RP11-309197   | WASHER D.12X25X0.6                             |
| 482       | RP11-4-404296 | BEAD BREAKER ROLLER PIN                        |
| 494       | RP11-5-490976 | BEAD PRESSING DISC                             |
| 496       | RP11-2-00312  | SOCKET HEAD CAP SCREW M6X25                    |
| 497       | RP11-2-00975  | SPLIT PIN D. 4X22                              |
| 498       | RP11-2-02222  | PLANIN WASHER 11X30X2.5                        |
| 499       | RP11-2-02764  | SELF-TAPPING SCREW D.3.5X13                    |
| 500       | RP11-2-71506  | NUT M4   |
| 501       | RP11-3-00015  | STRAIGHT CONNECTOR T.6                         |
| 502       | RP11-3-00075  | BANJO STEM DOUBLE - SHORT G1/8                 |
| 503       | RP11-3-00239  | ORIENTING ELBOW FITTING M5 T.4                 |
| 504       | RP11-3-00514  | SINGLE BANJO BODY G1/8 T.4                     |
| 505       | RP11-3-00515  | SINGLE BANJO BODY G1/8 T.6                     |

| Index No. | Part Number    | Description                                   |
|-----------|----------------|---|
| 506       | RP11-3-01359   | MANUALLY ACTUATED VALVE G1/8                  |
| 507       | RP11-3-01360   | TASTE LEVER MICROVALVE 3/2 NC                 |
| 508       | RP11-3013640   | DECAL, ARROWS UP-DOWN                         |
| 509       | RP11-3014075   | LABEL "B"                                     |
| 510       | RP11-3015546   | HELICAL COMPRESSION SPRING                    |
| 511       | RP11-3016568   | DECAL, INSTRUCTION FOR HANDLE                 |
| 512       | RP11-3016732   | RILSAN HOSE D.4-2 L.180                       |
| 513       | RP11-3019479   | STOPPER PIN                                   |
| 514       | RP11-3019706   | RILSAN HOSE D.4-2 L.600                       |
| 515       | RP11-3019822   | DECAL, B-B HOSES CONNECTION                   |
| 516       | RP11-3-02416   | O-RING 4200 (3.53X50.39)                      |
| 517       | RP11-3-90167   | HANDLE M10X30                                 |
| 518       | RP11-4206389   | O-RING 4112 (3,53X28,17)                      |
| 519       | RP11-4211406   | O-RING 3050 (2,62X12,37)                      |
| 520       | RP11-4-400708  | VALVE COVER                                   |
| 521       | RP11-4-403782  | PAWL  |
| 522       | RP11-4-403868  | CAP   |
| 523       | RP11-4-403955  | CONTROL ARM                                   |
| 524       | RP11-4-405044  | ROTATING ARM                                  |
| 525       | RP11-4-405159  | DISC SUPPORT                                  |
| 526A      | RP11-5-400161  | COMPLETE VALVE T6 (UP TO S/N IFN714578)       |
| 526B      | RP11-5-402194  | COMPLETE VALVE T8 (FROM S/N IFN714579)        |
| 527A      | RP11-5-401068  | COMPLETE CONTROL ARM T6 (UP TO S/N IFN714578) |
| 527B      | RP11-5-401068A | COMPLETE CONTROL ARM T8 (FROM S/N IFN714579)  |
| 528       | RP11-5-401306  | BEAD PRESSING DISK                            |
| 529       | RP11-5-401410  | COMPLETE ROTATING ARM                         |
| 530       | RP11-5-401769  | SAFETY FOR ROTATING ARM                       |
| 531       | RP11-2019521   | LOCKING PIN FOR BPT ARM                       |
| 532       | RP11-4-403786  | BPT ARM                                       |
| 533       | RP11-4-403787  | HANDLE M14X55                                 |
| 534       | RP11-5-400978  | COMPLETE BPT ARM                              |
| 547       | RP11-4-407457  | PLASTIC PROTECTION                            |



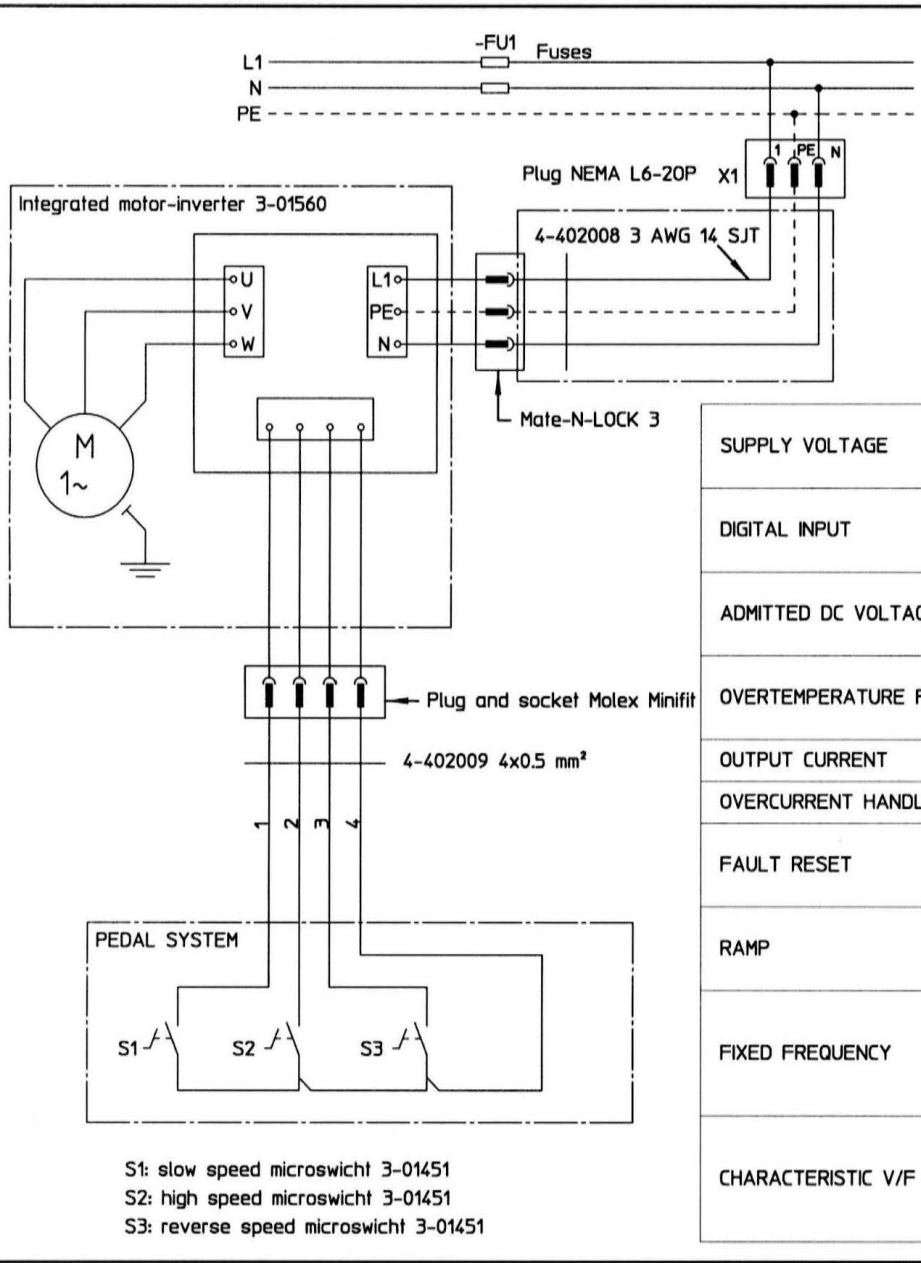
## TCX575 Tire Changer

REFER TO NEXT SHEET FOR PARTS DESCRIPTION LISTING

**PARTS DESCRIPTION LISTING**

Form 11-33, 12-10a  
Supersedes Form 11-33, 07-10  
Sheet 16 of 17

| Index No. | Description                                       |
|-----------|---|
| 0V1       | Ball valve G 1/4" M/F                             |
| 0V2       | Safety valve G 3/8" 160 PSI                       |
| 0V3       | Complete inflating valve for TCX550               |
| 0V4       | Quick inflating valve G 1/4"                      |
| 0V5       | Inflating valve                                   |
| 0V6       | Manifold  |
| 0Z1       | Water separator and pressure regulator+lubricator |
| 0Z2       | Air tank 4.6 gal. Conformity ASME code.           |
| 0Z3       | Clip-on air chuck                                 |
| 0Z4       | Pressure gauge D.80 1/4 NPT 0-60 PSI              |
| 1A1       | Cylinder D.60x5                                   |
| 1A2       | Cylinder D.60x5                                   |
| 1V1       | Complete control handle                           |
| 2A1       | Cylinder D.90/20x150                              |
| 2V1       | Complete automatic arm valve                      |
| 2Z1       | Throttled pipe                                    |
| 2Z2       | Throttled pipe                                    |
| 3A1       | Cylinder D.75/20x83                               |
| 3V1       | Tool control valve                                |
| 4A1       | Cylinder D.70/20x355                              |
| 4A2       | Cylinder D.70/20x355                              |
| 4V1       | Complete self-centering chuck valve               |
| 4Z1       | Complete rotating union for TCX550                |
| 4Z2       | Slide with nozzle and union                       |
| 4Z3       | Slide with nozzle and union                       |
| 4Z4       | Slide with nozzle and union                       |
| 4Z5       | Slide with nozzle and union                       |
| 5A1       | Cylinder D.200/20x150                             |
| 5V1       | Complete bead-breaker valve                       |
| 6A1       | Complete cylinder D.125/20x482                    |
| 6V1       | Manually actuated spool valve 5/3 G 1/8"          |
| 7A1       | Stopper pin                                       |
| 7V1       | Taste lever microvalve 3/2 NC T.4                 |
| 8A1       | Brake cylinder                                    |
| 8V1       | Manually actuated spool valve                     |



|                       |  |
|-----------------------|--|
| SUPPLY VOLTAGE        | Input Voltage 1 x 220 - 240V AC  |
|                       | Input Frequency 48-62 Hz   |
| DIGITAL INPUT         | 3 isolated digital input   |
|                       | Voltage between com (4) and input (1,2,3) 24V DC, 10mA                                     |
| ADMITTED DC VOLTAGE   | Overtoltage (on DC bus) ca. 400V DC  |
|                       | Undervoltage (on DC bus) ca. 185V DC   |
| OVERTEMPERATURE FAULT | Max temperature T MAX ca. 75°C (temperature of the power module)                           |
|                       | Fault reset possible with T < ca. 60°C   |
| OUTPUT CURRENT        | I OUT max. 14A RMS (non continuous use, I OUT > 6.5A RMS for max t = 60s every 240s)       |
| OVERCURRENT HANDLING  | I OUT > 10A RMS B output frequency reduction to f min (*)                                  |
| FAULT RESET           | Done by the 'STOP' of the inverter, it's not necessary to switch off the unit.             |
|                       | Overtemperature fault reset possible with T < 75°C switching off the unit for t > dt 60 s. |
| RAMP                  | Deceleration = max. 260Hz/s (regulated by the value of the DC bus)                         |
|                       | Acceleration = 166Hz/s   |
| FIXED FREQUENCY       | Minimum frequency f min = 60Hz (*)   |
|                       | Low speed = 74Hz   |
| CHARACTERISTIC V/F    | High speed = 168Hz   |
|                       | Boost 15%  |
|                       | Frequency f Boost = 60Hz   |
|                       | Frequency f Knee = 100Hz   |

