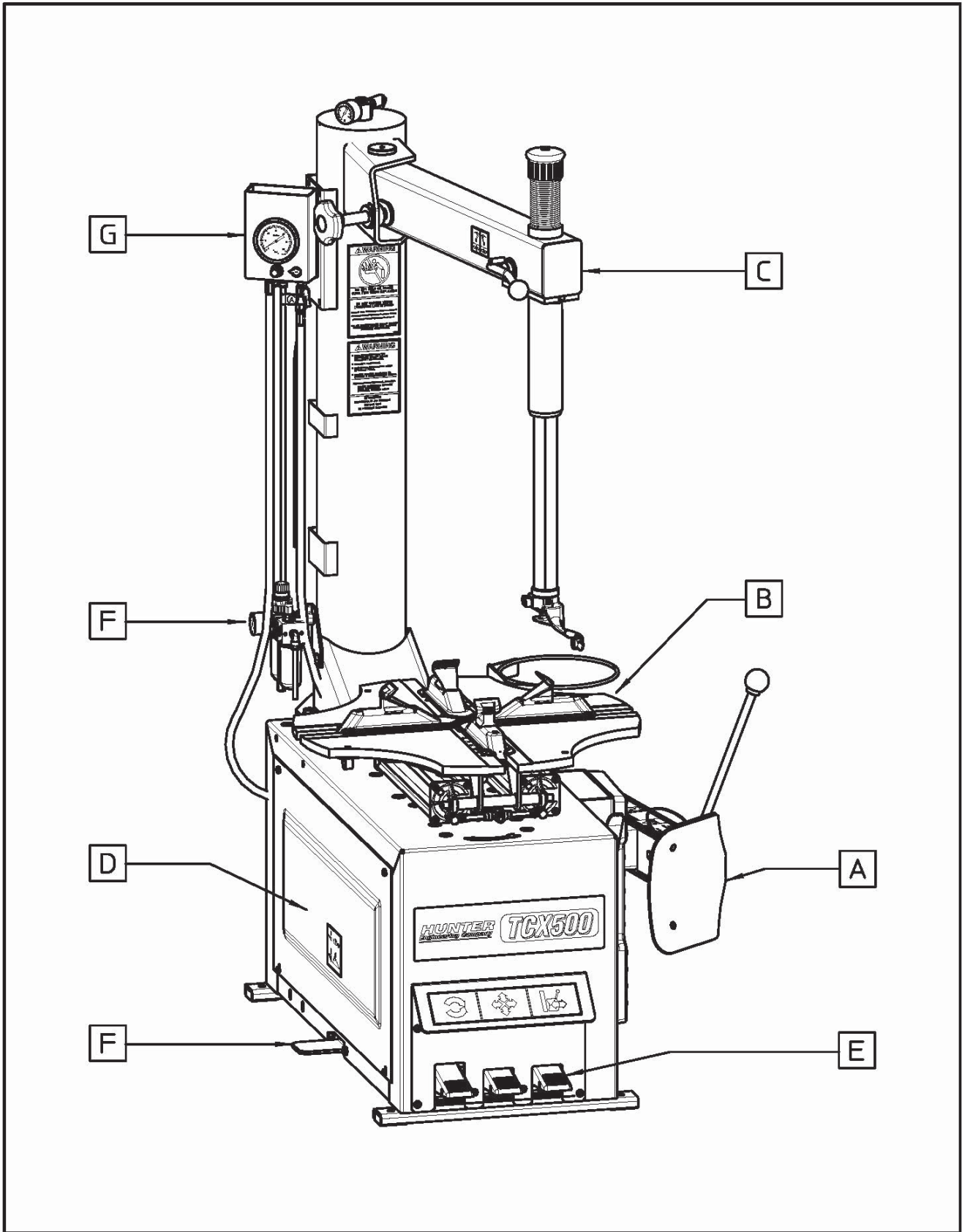


Version produced from BEGINNING to s/n IEC002372 (Mar. '08)
(Sheet Metal Pedal Board)

TCX500 Series Tire Changer

©2010 Hunter Engineering Company



TCX500 Series Tire Changer

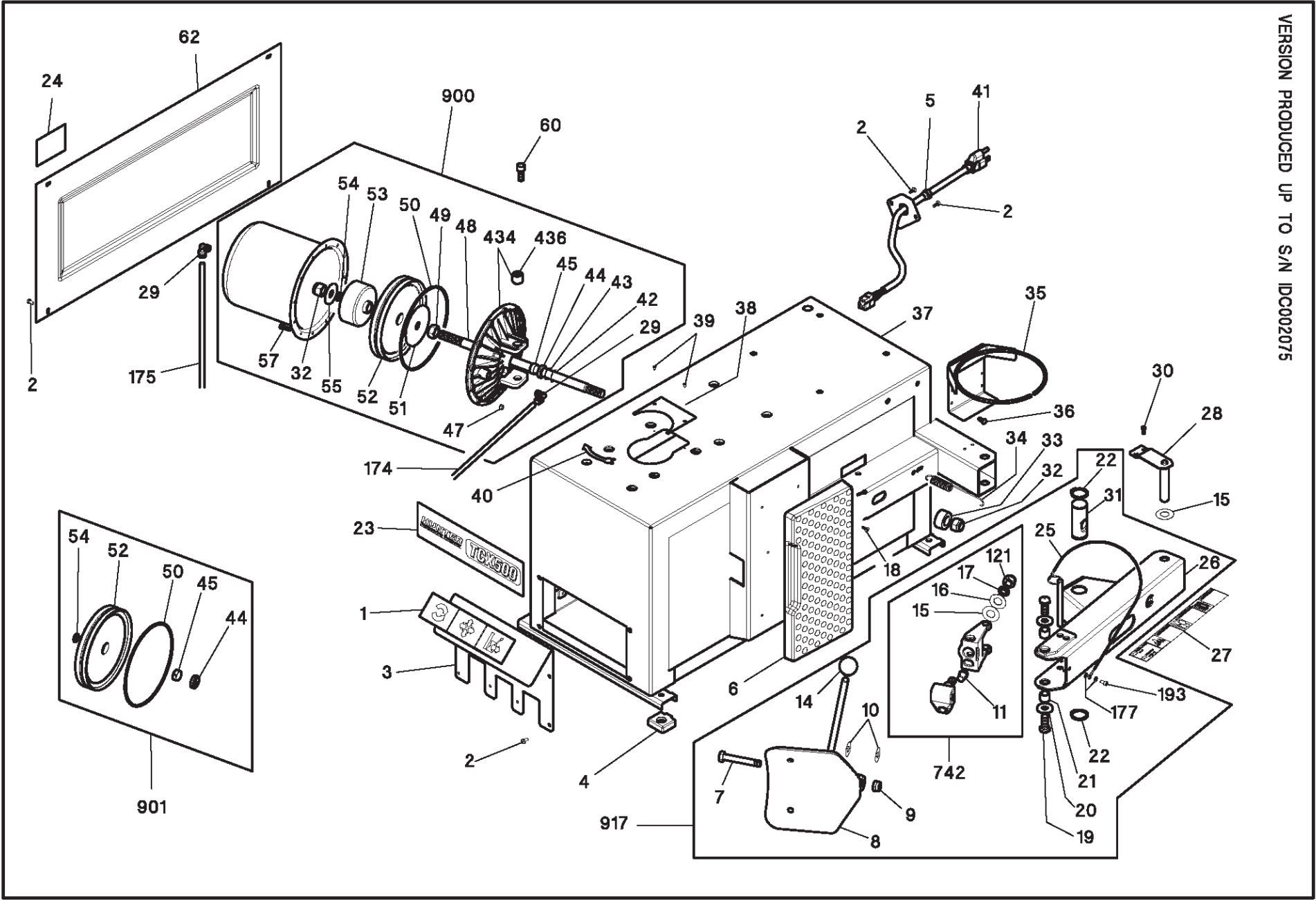
REFER TO NEXT SHEET FOR PARTS DESCRIPTION LISTING

TCX500 SERIES TIRE CHANGER

No.	Description	No.	Description
A	Body (sheet 3, 4)	G	ULGS Hunter Inflator Box with Air Hose (Sheet 15)
B	Turntable (sheet 5)	H	BPS Column (Optional) (Sheet 16) (Not Shown)
C	Column With Internal Tank (sheet 6)	H1	BPS Control Arm (Optional) (Sheet 17) (Not Shown)
D	Complete Gear Box (sheet 7)	H2	BPS Cover & Connection (Opt.) (Sheet 18) (Not Shown)
D1	Complete Gear Box Air Version(sheet 8)	H3	BPS BPT Arm (Optional) (Sheet 19) (Not Shown)
E	Complete Pedal System (Sheet 9)	P	Pneumatic Diagram (Sheet 20)
E1	Complete Pedal System Air Version (Sheet 10)	P1	Pneumatic Diagram Air Version (Sheet 21)
F	Complete Rotating Union (Sheet 11, 12)	P2	Pneumatic Diagram BPS (Sheet 22)
F1	Complete Rotating Union Air Version (Sheet 13, 14)	WD	Wire Diagram 1Ph - 1 Speed (Sheet 23)

TCX500 SERIES ACCESSORIES (NOT SHOWN)

Part Number	Description	Part Number	Description
RP6-3784	Mounting Paste	RP11-8-11400085	Jaw Protectors (4 Pieces)
RP11-5-490223	Plastic Shovel Protectors (4)	RP11-2201894	4" Clamping Jaw Extension (4 Pieces)
148-133-2	Lubrication Oil	RP11-8-11400096	Mount Head Insert (10 Pieces)
RP6-1506	Applicator Brush	145-341-2	Tire Inflator/Air Chuck
179-15-2	Safety Goggles	RP11-8-11400098	Plastic Bead Lever Protector Sleeve
RP11-5-400900	BPR Bead Roller Column Mount	RP11-8-11400103	AR24 Clamping Jaw Single (1 Piece)
RP11-8314813	Polymer Mounting Head (No Bracket)	RP6-0326	Lever Protector Sleeve for HM lever RP6-2663
RP11-8-11400087	Polymer Head and Bracket Assembly	RP11-5-400570	Standard Steel Mount Head
RP11-5-400100	CRU Quick Disconnect Adaptor (Only)	20-2036-1	Quick Change Shaft and Adaptor Kit (Includes:)
RP11-8-11400091	Universal Quick Disconnect Shaft and QD	RP11-8314813	Polymer Head
RP11-2201140	Bead Pressing Lever - TCX500	RP11-8-11400087	Polymer Head with Metal Bracket
RP11-2201655	Lever Protector Sleeve for Traditional Bead lever	RP11-5-400100	QD Adaptor (Only)
RP11-2201021	Bead Roller Press	RP11-8-11400091	TCX500 QD Shaft and QD Adaptor Kit
		RP11-4-403067	Eccentric screw



TCX500 Series Tire Changer

REFER TO NEXT SHEET FOR PARTS DESCRIPTION LISTING

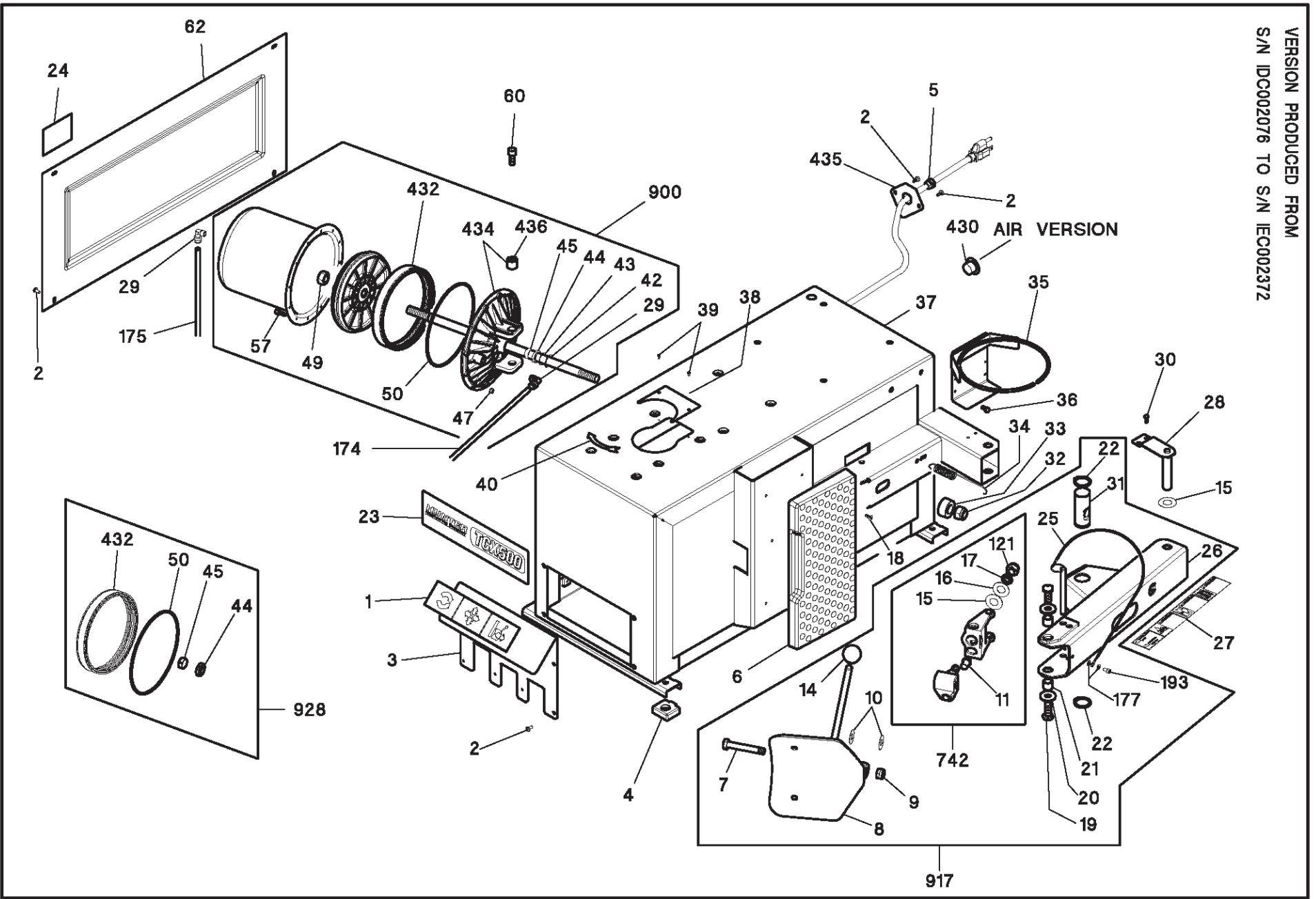
PARTS DESCRIPTION LISTING

Form 11-13, 12-10
Supersedes Form 11-13, 11-10
Sheet 3 of 23

Index No.	Part Number	Description
1	RP11-4-402025	DECAL PEDALS
2	RP11-2-02755	CROSS PAN HEAD SCREW M6X12
3	RP11-4-401963	FRONT PANEL
4	RP11-3305148	RUBBER FOOT H.17
5	RP11-4206664	CABLE HOLDER SB8R-3
6	RP11-4-401740	WHEEL SUPPORT
7	RP11-4-401323	SHOVEL PIVOT
8	RP11-4-400063	BLADE
9	RP11-2-01106	NUT WITH POLYAMIDE RING M14
10	RP11-4-400510	WASHER 14,5X35X0,3
11	RP11-4-401902	SPELLBINDER PIN
14	RP11-3305242	PLASTIC BALL KNOB
15	RP11-3017251	WASHER 20X42X0,5
16	RP11-4217252	CONICAL SPRING WASHER 40X20X2
17	RP11-3016999	HUB SPACER
18	RP11-2-00711	SOCKET COUNTERSUNK SCREW M6X16
19	RP11-4-401901	SPECIAL SCREW M14X1,5
20	RP11-3014616	WASHER 14,25X36X5
21	RP11-4-401900	BUSH D.14,25X22X17,5
22	RP11-2-01139	RETAINING RING FOR SHAFT D.35
23	RP11-4-402019	DECAL, HUNTER TCX500
24	RP11-4-402030	DECAL, GP PEDAL
25	RP11-5-400477	ROTATION LOCKING PIN
26	RP11-4-401899	BEAD BREAKER ARM
27	RP11-4-402023	DECAL WARNING BEAD BREAKER ARM
28A	RP11-4-401904	BEAD BREAKER FULCRUM PIN (up to s/n IBL006296)
28B	RP11-4-402225	BEAD BREAKER FULCRUM PIN (from s/n IBL006297)
29	RP11-3-00517	ORIENTING ELBOW FITTING 1/4 10
30	RP11-2-00360	HEXAGON HEAD CAP SCREW M6X12
31	RP11-3018147	SWINING PIN
32	RP11-2-01242	NUT WITH POLYAMID RING M18X1.5
33	RP11-4-401944	SHOCK ABSORBER
34	RP11-3020141	TENSION SPRING
35	RP11-4-400539	TYRE PASTE CONTAINER SUPPORT
36	RP11-2-02761	HEXAGON HEAD CAP SCREW M6X14

Index No.	Part Number	Description
37A	RP11-4-401795	BODY (up to s/n IBL005671)
37B	RP11-4-401795A	BODY (from s/n IBL005672)
38	RP11-3020172	REAR PROTECTION PLATE (GP)
39	RP11-2-02742	SELF-TAPPING SCREW D.3,9X9,5
40	RP11-3020842	SENSE OF ROTATION ARROW
41A	RP11-4-402430	FEEDING CABLE (up to s/n IBN007989)
41B	RP11-4-402692	FEEDING CABLE (from s/n IBN007990)
42	RP11-4300414	RETAINING RING FOR BORE D.30
43	RP11-3010912	WASHER 24X29,5X0,5
44	RP11-4206114	LIPPED GASKET NSW 20-30-6
45	RP11-4206523	WEAR RING FOR ROD WRI-20
47	RP11-2-02795	NUT WITH FLANGE ISO4161 M6
48	RP11-3020139	SHAFT FOR CYLINDER D.200
49	RP11-2-02534	NUT M18X1,5
50	RP11-4213667	O-RING 4775 (3.53x196.4)
51	RP11-3013666	DISC FOR PISTON D.200
52	RP11-4207487	GASKET WITH FLANGE D.200
53	RP11-3013668	STROKE END FOR CYLINDER
54	RP11-4205265	O-RING 119 (2.62X15.08)
55	RP11-3014118	WASHER FOR PISTON D.200
57	RP11-2-00310	SOCKET HEAD CAP SCREW M6X20
60	RP11-2-01033	SOCKET HEAD CAP SCREW M12X30
62	RP11-4-401754	LEFT SIDE PANEL
121	RP11-2-01163	NUT WITH POLYAMIDE RING M16
174	RP11-3015796	RILSAN HOSE D.10-8 L.1100
175	RP11-4-402011	RILSAN HOSE D.10-8 L.1400
177	RP11-2-00211	WASHER FOR HEX CAP SCREW M6
193	RP11-2-00715	SOCKET HEAD CAP SCREW M6X12
434	RP11-5-490555	CYLINDER FRONT FLANGE + BUSHES
436	RP11-4-403808	BEAD BREAKER BUSH
742	RP11-5-491083	BLADE HUB SUBSTITUTION KIT
900	RP11-5-490556	CYLINDER D. 200X150 WITH BUSH
901	RP11-2200950	SET OF GASKET CYLINDER D.200
917	RP11-5-490442	COMPLETE BEAD BREAKER ARM

VERSION PRODUCED FROM
S/N IDC002076 TO S/N IEC002372



TCX500 Series Tire Changer

REFER TO NEXT SHEET FOR PARTS DESCRIPTION LISTING

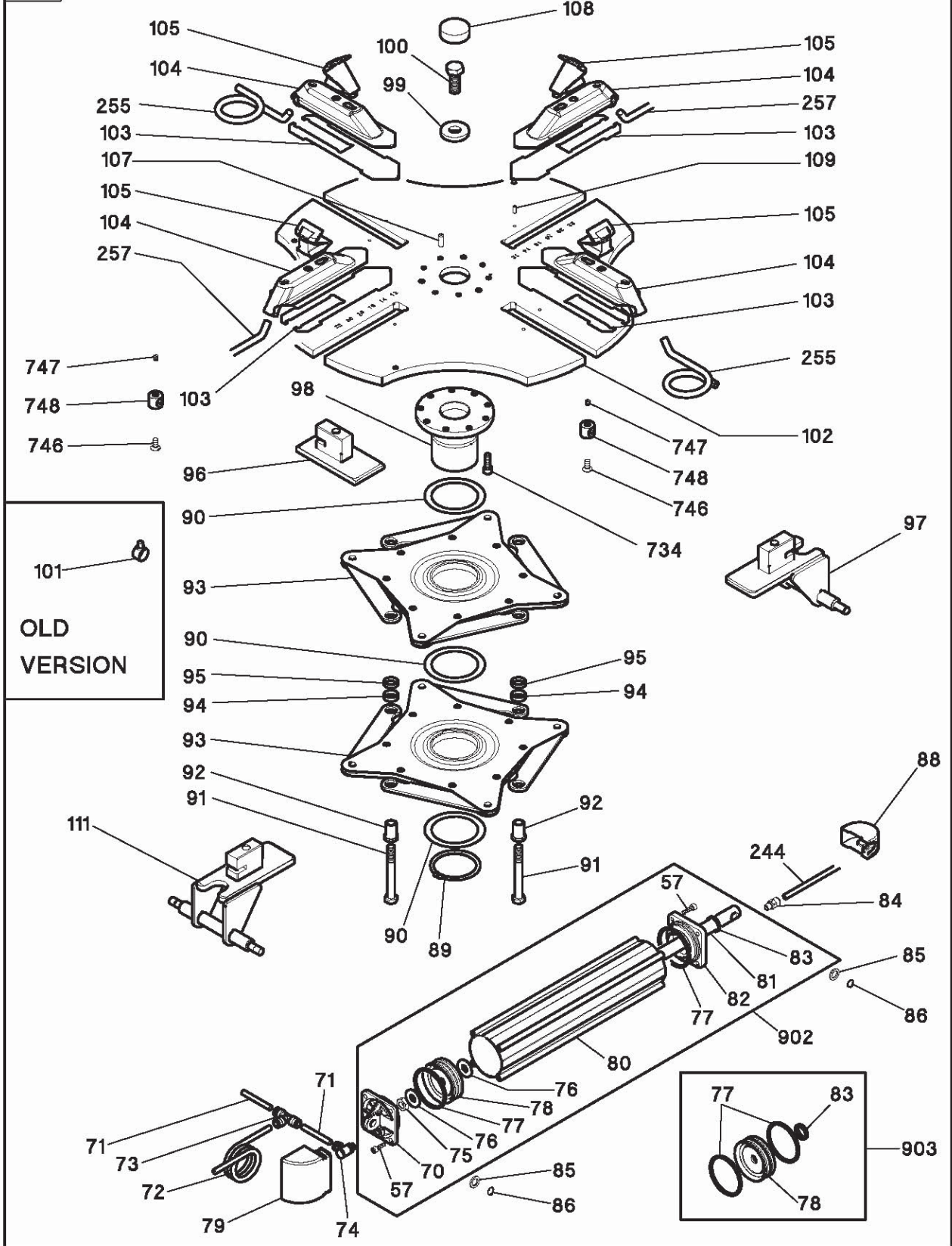
PARTS DESCRIPTION LISTING

Form 11-13, 12-10
Supersedes Form 11-13, 11-10
Sheet 4 of 23

Index No.	Part Number	Description
1	RP11-4-402025	DECAL PEDALS
2	RP11-2-02755	CROSS PAN HEAD SCREW M6X12
3	RP11-4-401963	FRONT PANEL
4	RP11-3305148	RUBBER FOOT H.17
5	RP11-4206664	CABLE HOLDER SB8R-3
6	RP11-4-401740	WHEEL SUPPORT
7	RP11-4-401323	SHOVEL PIVOT
8	RP11-4-400063	BLADE
9	RP11-2-01106	NUT WITH POLYAMIDE RING M14
10	RP11-4-400510	WASHER 14,5X35X0,3
11	RP11-4-401902	SPELLBINDER PIN
14	RP11-3305242	PLASTIC BALL KNOB
15	RP11-3017251	WASHER 20X42X0,5
16	RP11-4217252	CONICAL SPRING WASHER 40X20X2
17	RP11-3016999	HUB SPACER
18	RP11-2-00711	SOCKET COUNTERSUNK SCREW M6X16
19	RP11-4-401901	SPECIAL SCREW M14X1,5
20	RP11-3014616	WASHER 14,25X36X5
21	RP11-4-401900	BUSH D.14,25X22X17,5
22	RP11-2-01139	RETAINING RING FOR SHAFT D.35
23	RP11-4-402019	DECAL, HUNTER TCX500
24	RP11-4-402030	DECAL, GP PEDAL
25	RP11-5-400477	ROTATION LOCKING PIN
26	RP11-4-401899	BEAD BREAKER ARM
27	RP11-4-402023	DECAL WARNING BEAD BREAKER ARM
28	RP11-4-402225	BEAD BREAKER FULCRUM PIN
29	RP11-3-00517	ORIENTING ELBOW FITTING 1/4 10
30	RP11-2-00360	HEXAGON HEAD CAP SCREW M6X12
31	RP11-3018147	SWINING PIN
32	RP11-2-01242	NUT WITH POLYAMID RING M18X1.5
33	RP11-4-401944	SHOCK ABSORBER

Index No.	Part Number	Description
34	RP11-3020141	TENSION SPRING
35	RP11-4-400539	TYRE PASTE CONTAINER SUPPORT
36	RP11-2-02761	HEXAGON HEAD CAP SCREW M6X14
37	RP11-4-401795A	BODY
38	RP11-3020172	REAR PROTECTION PLATE (GP)
39	RP11-2-02742	SELF-TAPPING SCREW D.3,9X9,5
40	RP11-3020842	SENSE OF ROTATION ARROW
42	RP11-4300414	RETAINING RING FOR BORE D.30
43	RP11-3010912	WASHER 24X29,5X0,5
44	RP11-4206114	LIPPED GASKET NSW 20-30-6
45	RP11-4206523	WEAR RING FOR ROD WRI-20
47	RP11-2-02795	NUT WITH FLANGE ISO4161 M6
49	RP11-2-02534	NUT M18X1,5
50	RP11-4213667	O-RING 4775 (3.53x196.4)
57	RP11-2-00310	SOCKET HEAD CAP SCREW M6X20
60	RP11-2-01033	SOCKET HEAD CAP SCREW M12X30
62	RP11-4-401754	LEFT SIDE PANEL
121	RP11-2-01163	NUT WITH POLYAMIDE RING M16
174	RP11-3015796	RILSAN HOSE D.10-8 L.1100
175	RP11-4-402011	RILSAN HOSE D.10-8 L.1400
177	RP11-2-00211	WASHER FOR HEX CAP SCREW M6
193	RP11-2-00715	SOCKET HEAD CAP SCREW M6X12
430	RP11-4214073	CAP D. 46
432	RP11-3-02042	GASKET D. 200
434	RP11-5-490555	CYLINDER FRONT FLANGE + BUSHES
435	RP11-4-402428	CABLE HOLDER PLATE
436	RP11-4-403808	BEAD BREAKER BUSH
742	RP11-5-491083	BLADE HUB SUBSTITUTION KIT
900	RP11-5-490556	CYLINDER D. 200X150 WITH BUSH
917	RP11-5-490442	COMPLETE BEAD BREAKER ARM
928	RP11-5-490511	SET OF GASKET CYLINDER D. 200

930



TCX500 Series Tire Changer

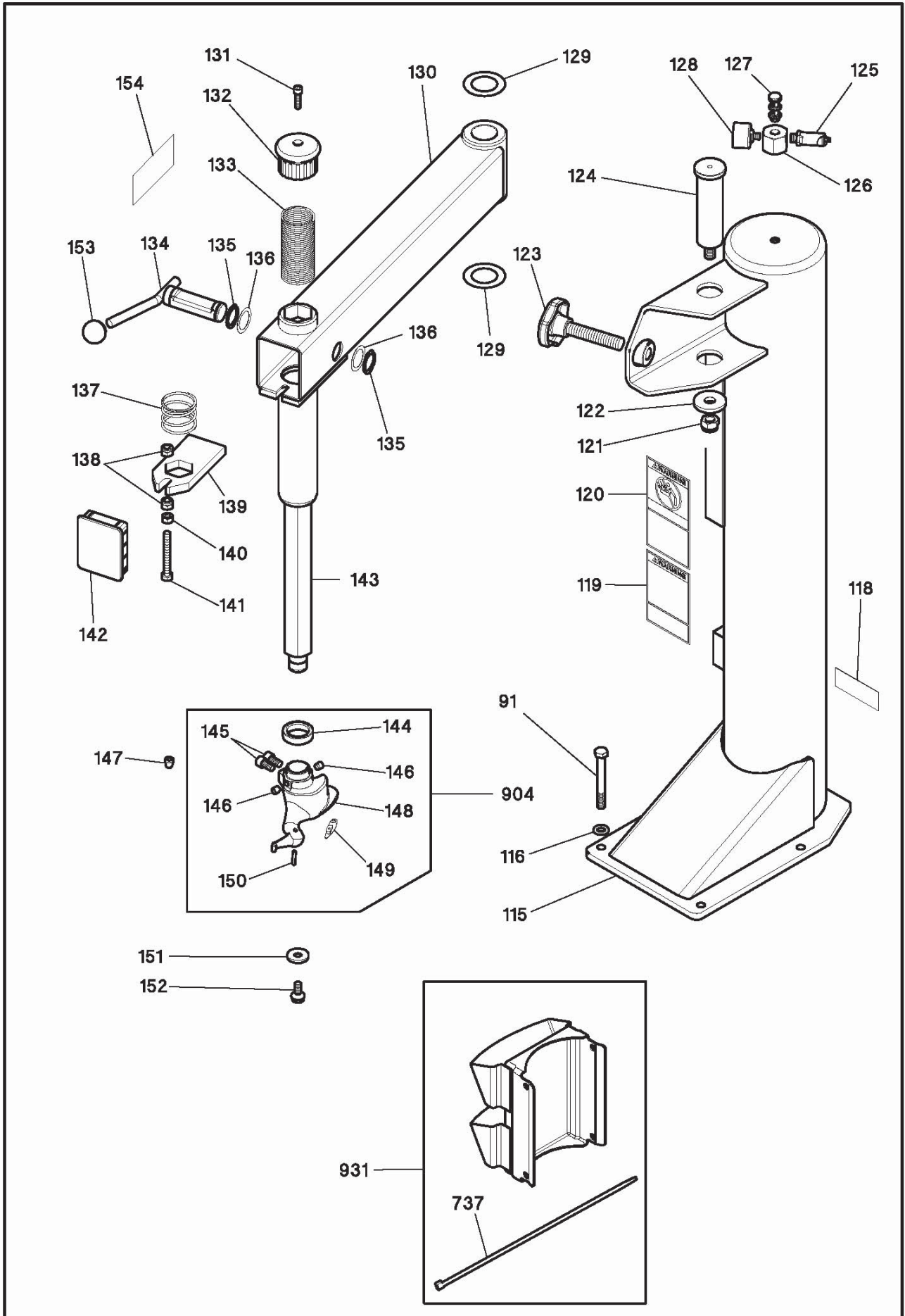
REFER TO NEXT SHEET FOR PARTS DESCRIPTION LISTING

PARTS DESCRIPTION LISTING

Form 11-13, 12-10
Supersedes Form 11-13, 11-10
Sheet 5 of 23

Index No.	Part Number	Description
57	RP11-2-00310	SOCKET HEAD CAP SCREW M6X20
70	RP11-3020642	CYLINDER REAR FLANGE D.70
71	RP11-4-401998	RILSAN HOSE D.8-6 L.62
72	RP11-4-401988	POLYURETHAN SPIRAL HOSE T8-5
73	RP11-3-00025	TEE CONNECTOR T.8
74	RP11-2201587	ELBOW MALE ADAPTOR G1/8 T.8
75	RP11-2-00158	NUT M12
76	RP11-3010677	WASHER D. 12,5X30X3
77	RP11-4209740	O-RING 4250
78	RP11-4217860	GASKET WITH FLANGE D.70
79	RP11-3321212	CYLINDER REAR PROTECTION COVER
80	RP11-3021185	CASING CYLINDER D. 70
81	RP11-4-401721	SHAFT FOR CYLINDER D.70
82	RP11-3020641	CYLINDER FRONT FLANGE D.70
83	RP11-4220637	LIPPED GASKET 20X26X3,6
84	RP11-3-00477	STRAIGHT MALE ADAPTOR G1/8 T.8
85	RP11-2-03354	WASHER FOR CHEESE SCREW M12
86	RP11-2-00025	RETAINING RING FOR SHAFT D.12
88	RP11-3321211	CYLINDER FRONT COVER
89	RP11-2-02519	RETAINING RING FOR SHAFT D.72
90	RP11-3010581	WASHER D.75X97,5X0,5
91	RP11-2-03329	HEXAGON HEAD CAP SCREW M12X100
92	RP11-4-401733	BUSH D.12X18X24,5
93	RP11-5-400428	CONTROL PLATE
94	RP11-4-401734	SPACER D.18X24X6,5
95	RP11-4-401735	SPACER D.18X24X5,5

Index No.	Part Number	Description
96	RP11-4-401688	SLIDING GUIDE
97	RP11-4-401686	SLIDING GUIDE WITH PIN
98A	RP11-4-401679	TURNTABLE HUB (up to s/n IDL009349)
98B	RP11-4-404175	TURNTABLE HUB (from s/n IDL009350)
99	RP11-3094668	TURNTABLE WASHER
100	RP11-2-71441	HEX. HEAD CAP SCREW M16X1,5X40
101	RP11-5-491080	SET OF HOSES GUIDE (for 1 self-centering chuck)
102A	RP11-4-401662	TURNTABLE 22" (up to s/n IDL009349)
102B	RP11-4-404176	TURNTABLE 22" (from s/n IDL009350)
103	RP11-3021213	COVER PLATE
104	RP11-5-400185	SLIDE WITH UNION (red spotted indent)
105	RP11-3008225	CLAMPING JAW
107	RP11-2-03135	SPRING-TYPE STRAIGHT PIN D8X24
108	RP11-3308152	TURNTABLE CAP
109	RP11-2-71921	SPRING-TYPE STRAIGHT PIN D5X14
111	RP11-4-401685	SLIDING GUIDE WITH PIN
244	RP11-3014052	RILSAN HOSE D.8-6 L.300
255	RP11-4-402016	POLYURETHAN SPIRAL HOSE 10-6,5
257	RP11-4-401999	POLYURETHAN HOSE D10-6,5 L610
734	RP11-2-03559	SOCKET HEAD CAP SCREW M8X20
746	RP11-2-94139	SOCKET COUNTERSUNK SCREW M8X12
747	RP11-2-94117	SOCKET SET SCREW M8X6
748	RP11-4-405288	HOSES GUIDE
902	RP11-4-401724	CYLINDER D.70X20X330
903	RP11-2202349	SET OF GASKET CYLINDER D.70
930	RP11-5-490934	COMPLETE SELF-CENTERING CHUCK



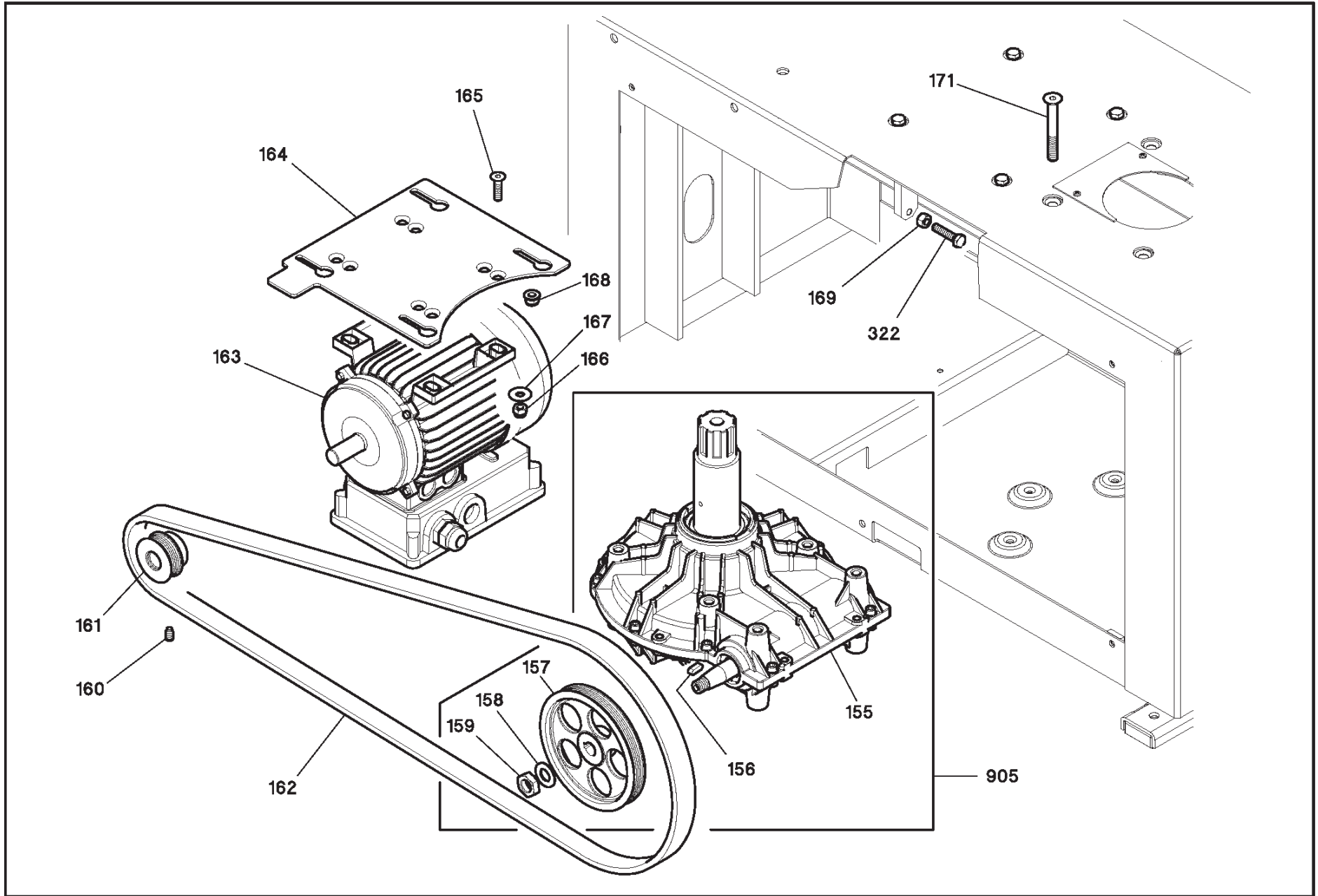
TCX500 Series Tire Changer
 REFER TO NEXT SHEET FOR PARTS DESCRIPTION LISTING

PARTS DESCRIPTION LISTING

Form 11-13, 12-10
Supersedes Form 11-13, 11-10
Sheet 6 of 23

Index No.	Part Number	Description
91	RP11-2-03329	HEXAGON HEAD CAP SCREW M12X100
115	RP11-5-490888	COLUMN WITH INTERNAL TANK
116	RP11-2-00214	WASHER FOR HEX CAP SCREW M12
118	RP11-4-402027	DECAL, MAXIMUM INLET PRESSURE
119	RP11-4-402022	DECAL, WARNING READ MANUAL
120	RP11-4-402028	DECAL, WARNING PRESSURE LIMIT
121	RP11-2-01163	NUT WITH POLYAMIDE RING M16
122	RP11-3094741	WASHER 16.5X50X8
123	RP11-3-01577	KNURLED RIM KNOB
124	RP11-3006516	SWINGING ARM PIN
125	RP11-3-01573	SAFETY VALVE G1/4"
126	RP11-4-401822	PRESSURE GAUGE SUPPORT
127	RP11-3-00076	BANJO STEM DOUBLE-SHORT
128	RP11-3-00488	MANOMETER G1/8 0-12BAR
129	RP11-3094764	WASHER 40.5X65X0.5
130	RP11-4-401806	SWINGING ARM
131	RP11-2-00322	SOCKET HEAD CAP SCREW M8X30
132	RP11-3305161	KNOB
133	RP11-4-400532	SPRING
134	RP11-4-402078	MOUNTING BAR LEVER
135	RP11-2-00034	RETAINING RING FOR SHAFT D.30
136	RP11-3010434	WASHER 30.5X42X0.5

Index No.	Part Number	Description
137	RP11-4-401863	HELICAL COMPRESSION SPRING
138	RP11-2-01019	NUT WITH POLYAMIDE RING M10
139	RP11-4-401823	VERTICAL LOCKING PLATE
140	RP11-2-00152	NUT M10
141	RP11-2-00996	HEXAGON HEAD CAP SCREW M10X80
142	RP11-3394836	SWINGING ARM PLASTIC COVER
143	RP11-4-401824	HEXAGONAL BAR
144	RP11-3309545	MOUNTING HEAD SHOCK ABSORBER
145	RP11-2-02586	SOCKET HEAD CAP SCREW M10X20
146	RP11-2-01146	SOCKET SET SCREW M10X10
147	RP11-3093674	CLAW ROLLER
148	RP11-3020212	MOUNTING HEAD
149	RP11-3319271	TOOL-HEAD PLASTIC PROTECTION
150	RP11-4220605	SPRING TENSION PIN D.5X25
151	RP11-9350194	MOUNTING HEAD FIXING WASHER
152	RP11-9350197	MOUNTING HEAD FIXING SCREW
153	RP11-3305241	PLASTIC BALL KNOB D.14
154	RP11-4-402031	DECAL-INSTRUCTION BAR LEVER
737	RP11-4207797	HOSE CLAMP
904	RP11-5-400439	TAM HUNTER MOUNTING HEAD
931	RP11-8-11400187	STO STORAGE CONTAINER SPARE

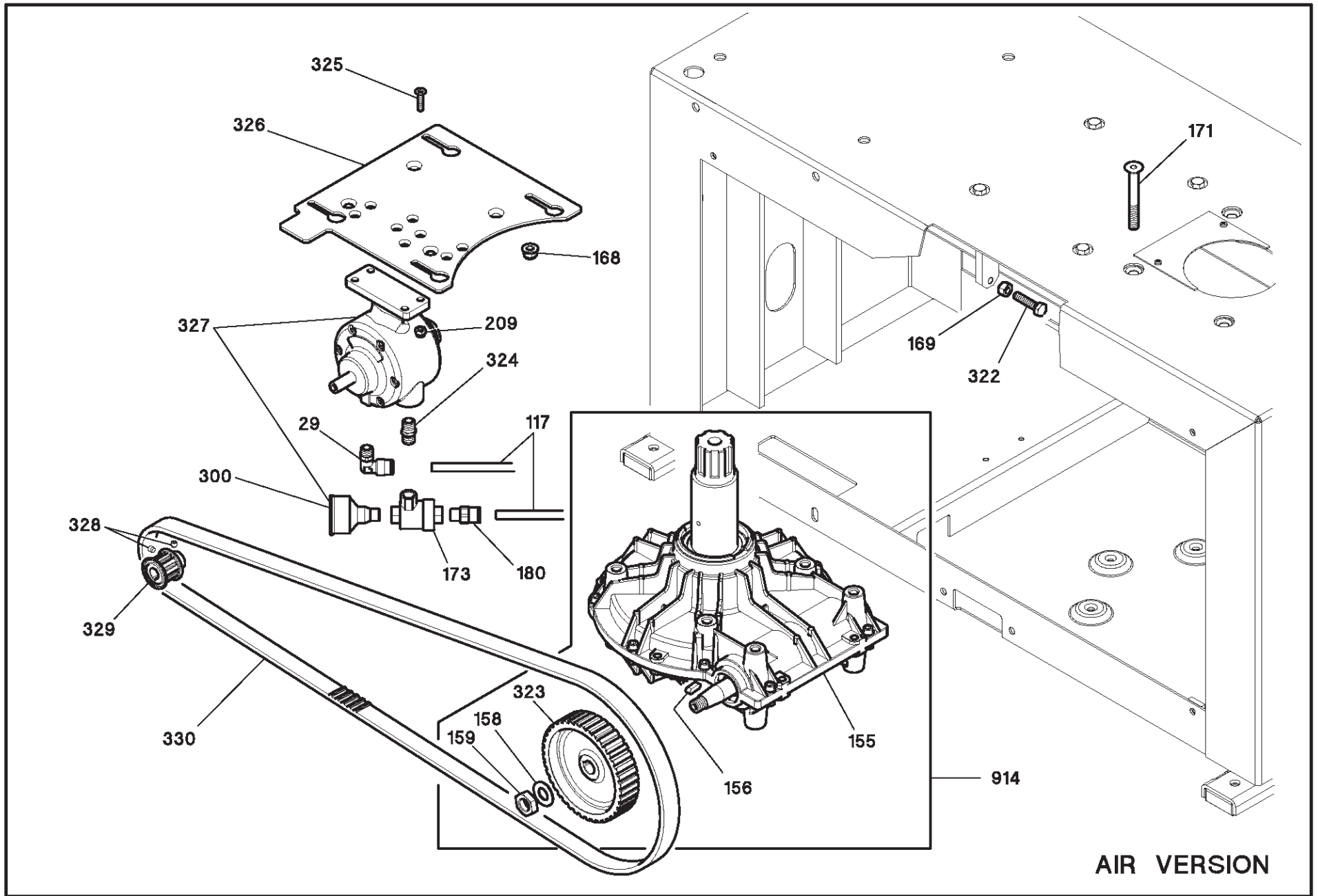


PARTS DESCRIPTION LISTING

Form 11-13, 12-10
Supersedes Form 11-13, 11-10
Sheet 7 of 23

Index No.	Part Number	Description
155A	RP11-5-400250	COMPLETE GEAR BOX RC SX (up to s/n ICE004318)
155B	RP11-5-400778	COMPLETE GEARBOX SX-G (from s/n ICE004319)
156	RP11-2-01950	PARALLEL KEY 6X6X18
157	RP11-4-400514	GEARBOX PULLEY 6J
158	RP11-2-00215	WASHER FOR HEX CAP SCREW M14
159	RP11-2-00941	HEXAGON THIN NUT M14
160	RP11-2-02561	SOCKET SET SCREW M8X14
161	RP11-4-400515	MOTOR PULLEY J6
162	RP11-3-01576	POLY-V BELT J6-914
163	RP11-3-01556	ELECTRIC MOTOR 110.1.60-4-0.75

Index No.	Part Number	Description
164	RP11-4-401911	MOTOR SUPPORT PLATE
165	RP11-2-02032	SOCKET COUNTERSUNK SCREW M8X30
166	RP11-2-01020	NUT WITH POLYAMIDE RING M8
167	RP11-2-01299	WASHER D.9X24X2
168	RP11-2-03365	NUT WITH FLANGE DIN6926 M8
169	RP11-2-00112	NUT M8
171	RP11-2-02974	SOCKET COUNTERSUNK SCREWM10X80
322	RP11-2-00868	HEXAGON HEAD CAP SCREW M8X50
905A	RP11-5-490278	GEAR BOX WITH PULLEY (up to s/n ICE004318)
905B	RP11-5-490461	GEARBOX WITH PULLEY (from s/n ICE004319)



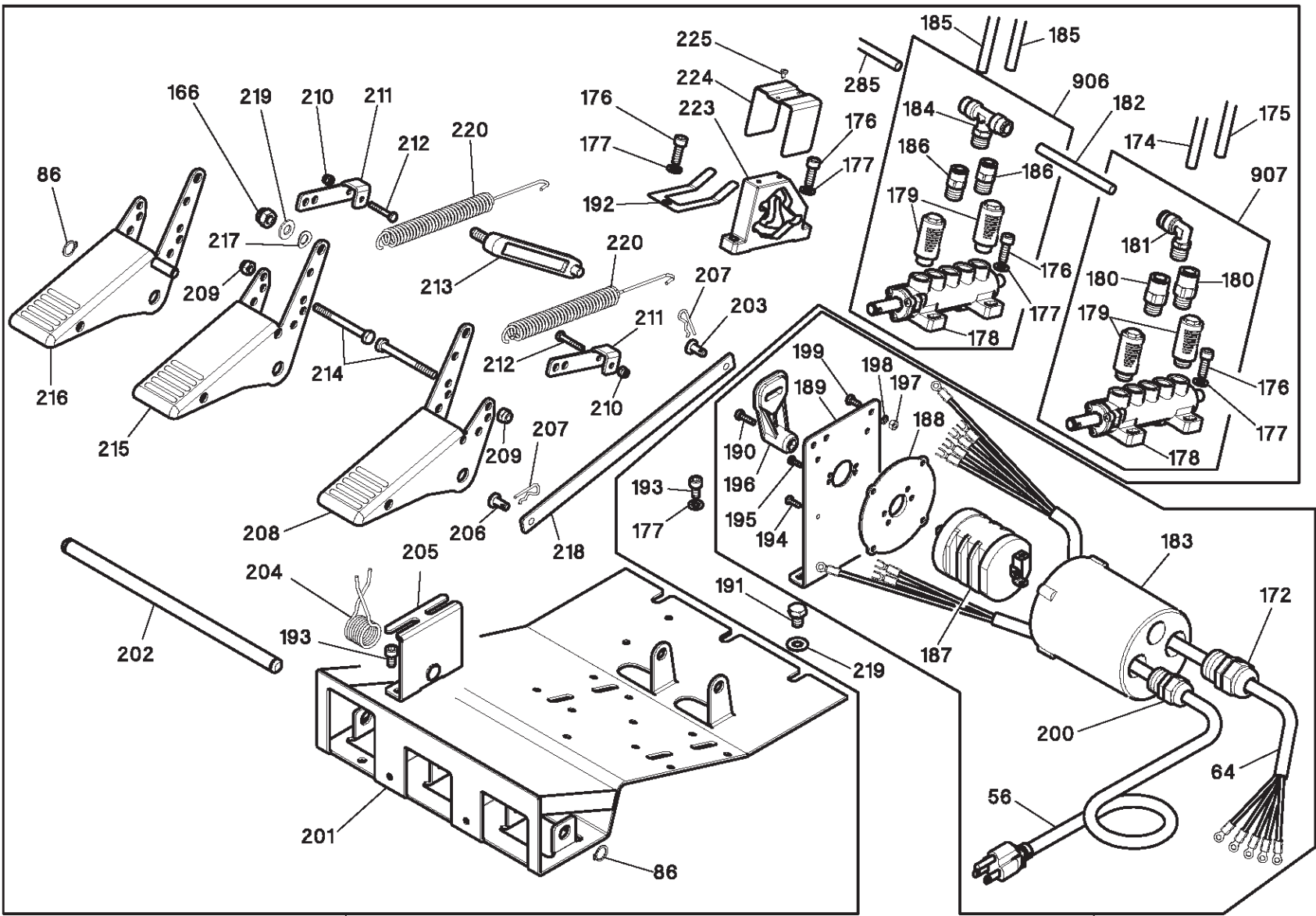
AIR VERSION

PARTS DESCRIPTION LISTING

Form 11-13, 12-10
Supersedes Form 11-13, 11-10
Sheet 8 of 23

Index No.	Part Number	Description
29	RP11-3-00517	ORIENTING ELBOW FITTING 1/4 10
117	RP11-3020873	RILSAN HOSE D.10-8 L.700
155A	RP11-5-400778	COMPLETE GEAR BOX RC SX (up to s/n ICE004383)
155B	RP11-5-400250	COMPLETE GEARBOX SX-G (from s/n ICE004384)
156	RP11-2-01950	PARALLEL KEY 6X6X18
158	RP11-2-00215	WASHER FOR HEX CAP SCREW M14
159	RP11-2-00941	HEXAGON THIN NUT M14
168	RP11-2-03365	NUT WITH FLANGE DIN6926 M8
169	RP11-2-00112	NUT M8
171	RP11-2-02974	SOCKET COUNTERSUNK SCREWM10X80
173	RP11-3-00318	VALVE G1/4"
180	RP11-3-00479	STRAIGHT MALE ADAPTOR G1/4 T10
209	RP11-2-01257	NUT WITH POLYAMIDE RING M6

Index No.	Part Number	Description
300	RP11-3-02191	AIR MOTOR SILENCER 1/4"
322	RP11-2-00868	HEXAGON HEAD CAP SCREW M8X50
323	RP11-3017563	GEARBOX PULLEY Z40 L075
324	RP11-3-00141	NIPPLE G1/4
325	RP11-2-01067	SOCKET COUNTERSUNK SCREW M6X25
326	RP11-4-402433	AIR MOTOR SUPPORT PLATE
327	RP11-4215760	MOTOR GAST
328	RP11-2-00801	SOCKET SET SCREW M6X6
329	RP11-3017564	MOTOR PULLEY Z10 L075
330	RP11-3-01704	TOOTH BELT 367 L075
914A	RP11-5-490367	GEAR BOX WITH PULLEY (up to s/n ICE004383)
914B	RP11-5-490462	GEARBOX WITH PULLEY (from s/n ICE004384)



908

926

TCX500 Series Tire Changer

REFER TO NEXT SHEET FOR PARTS DESCRIPTION LISTING

PARTS DESCRIPTION LISTING

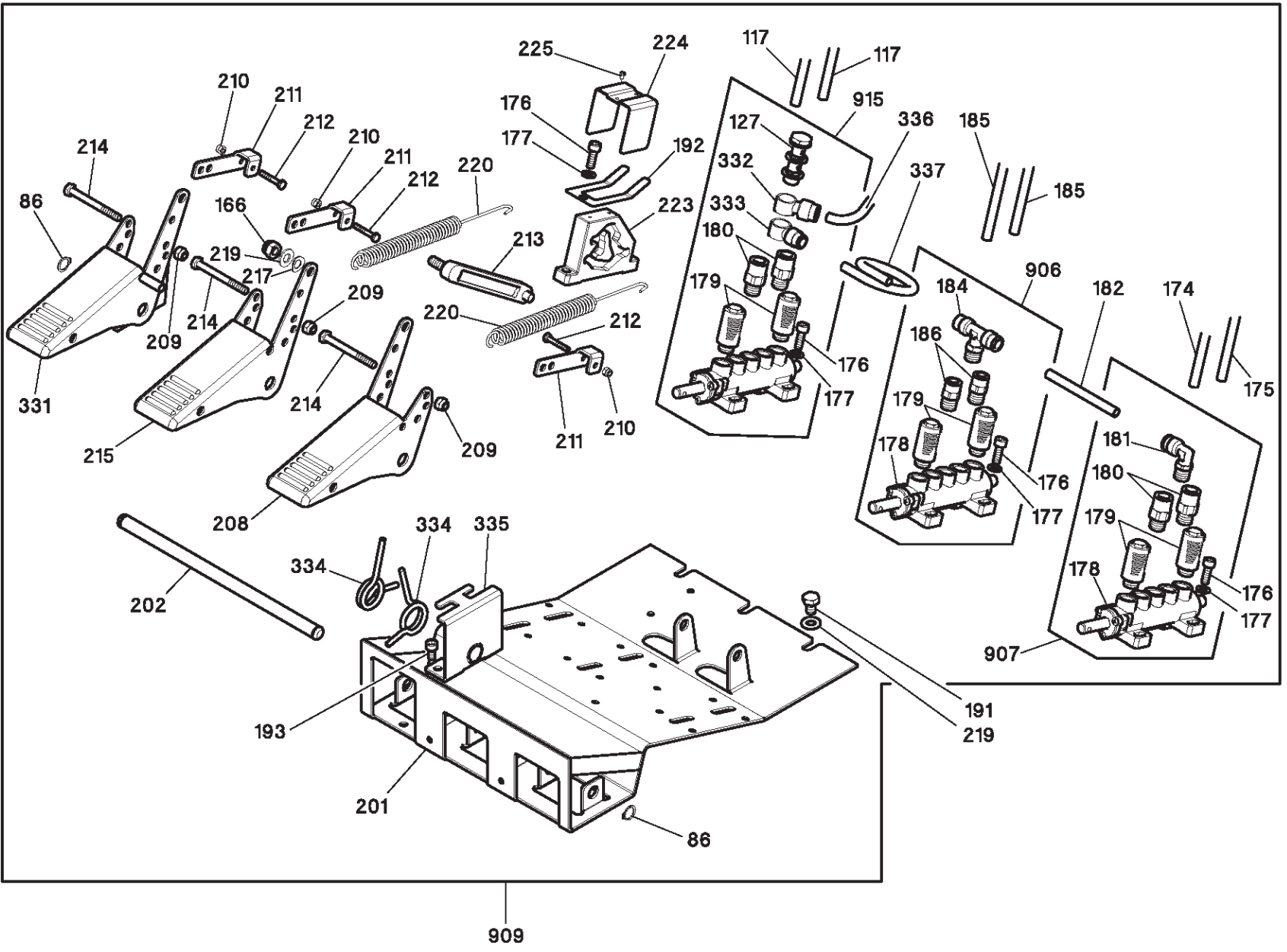
Form 11-13, 12-10
Supersedes Form 11-13, 11-10
Sheet 9 of 23

Index No.	Part Number	Description
56A	RP11-4-402691	EXTENSION CABLE (from s/nIBN007990 to IDC002432)
56B	RP11-4-402694	FEEDING CABLE (from s/n IDC002433)
64	RP11-4-402699	1PH MOTOR CONNECTING CABLE
86	RP11-2-00025	RETAINING RING FOR SHAFT D.12
166	RP11-2-01020	NUT WITH POLYAMIDE RING M8
172	RP11-4207431	TIGHTNESS CABLE HOLDER PG16
174	RP11-3015796	RILSAN HOSE D.10-8 L.1100
175	RP11-4-402011	RILSAN HOSE D.10-8 L.1400
176	RP11-2-00999	SOCKET HEAD CAP SCREW M6X18
177	RP11-2-00211	WASHER FOR HEX CAP SCREW M6
178	RP11-5-400473	SPOOL VALVE 5/2 G.1/4
179	RP11-3-00182	SILENCER G.1/4
180	RP11-3-00479	STRAIGHT MALE ADAPTOR G1/4 T10
181	RP11-3-00060	ORIENTING ELBOW FITTING 1/4 T8
182	RP11-3009687	RILSAN HOSE D.8-6 L.100
183	RP11-3311195	REVERSING SWITCHES PROTECTION
184	RP11-3-00293	TEE ORIENTING FITTING G1/4 T8
185	RP11-3009007	RILSAN HOSE D.8-6 L.1300
186	RP11-3-00478	STRAIGHT MALE ADAPTOR G1/4 T.8
187	RP11-5-400682	COMPLETE REVERSE 32A
188	RP11-3311196	REVERSING SWITCHES GASKET
189	RP11-3014661	REVERSING SWITCHES SUPPORT
190	RP11-2-00349	HEXAGON HEAD CAP SCREW M4X12
191	RP11-2-01267	HEXAGON HEAD CAP SCREW M8X12
192	RP11-3006149	FORK LEAF SPRING
193	RP11-2-00715	SOCKET HEAD CAP SCREW M6X12
194	RP11-2-71491	SELF-TAPPING SCREW D.3.5X12.7
195	RP11-2-00575	CROSS PAN HEAD SCREW M3X16
196	RP11-3394587	REVERSING SWITCHES LEVER
197	RP11-2-71506	NUT M4
198	RP11-2-71541	TOOTH WASHER D.4

Index No.	Part Number	Description
199	RP11-2-00605	CROSS PAN HEAD SCREW M4X10
200	RP11-4207394	TIGHTNESS CABLE HOLDER PG13.5
201	RP11-4-401968A	PEDAL BASE
202	RP11-3018160	PEDAL PIN
203	RP11-3020175	LONG PIN FOR PEDAL SYSTEM
204	RP11-3006047	HELICAL TORSION SPRING
205	RP11-2409607	SUPPORT FOR REVERSE PEDAL
206	RP11-3020176	SHORT PIN FOR PEDAL SYSTEM
207	RP11-4300179	HAIR PIN
208	RP11-3009553	LEFT PEDAL
209	RP11-2-01257	NUT WITH POLYAMIDE RING M6
210	RP11-2-01018	NUT WITH POLYAMIDE RING M4
211	RP11-3009407	CONNECTING ROD
212	RP11-2-00397	HEXAGON HEAD CAP SCREW M4X25
213	RP11-2406150	CAM CONNECTING ROD
214	RP11-2-00717	HEXAGON HEAD CAP SCREW M6X60
215	RP11-3009535	RIGHT PEDAL
216	RP11-4-401969	REVERSING SWITCHES PEDAL
217	RP11-2-02248	UNDULATED SPRING WASHER D.8
218	RP11-3020178	REVERSE SWITCH CONNECTING ROD
219	RP11-2-00212	WASHER FOR HEX CAP SCREW M8
220	RP11-3009412	TENSION SPRING
223	RP11-3306148	TRIP CAM
224	RP11-3009605	CONNECTING ROD GUIDE BRACKET
225	RP11-2-01981	SELF-TAPPING SCREW D.2,9X6,5
285	RP11-3015551	RILSAN HOSE D.8-6 L.1600
906	RP11-5-400493	COMPLETE CHUCK VALVE
907	RP11-5-400498	COMPLETE BEAD-BREAKER VALVE
908	RP11-5-400502	COMPLETE PEDAL SYSTEM
926	RP11-5-400727	COMPLETE REVERSING SWITCHES

VERSION PRODUCED UP TO S/N IEC002372

AIR VERSION



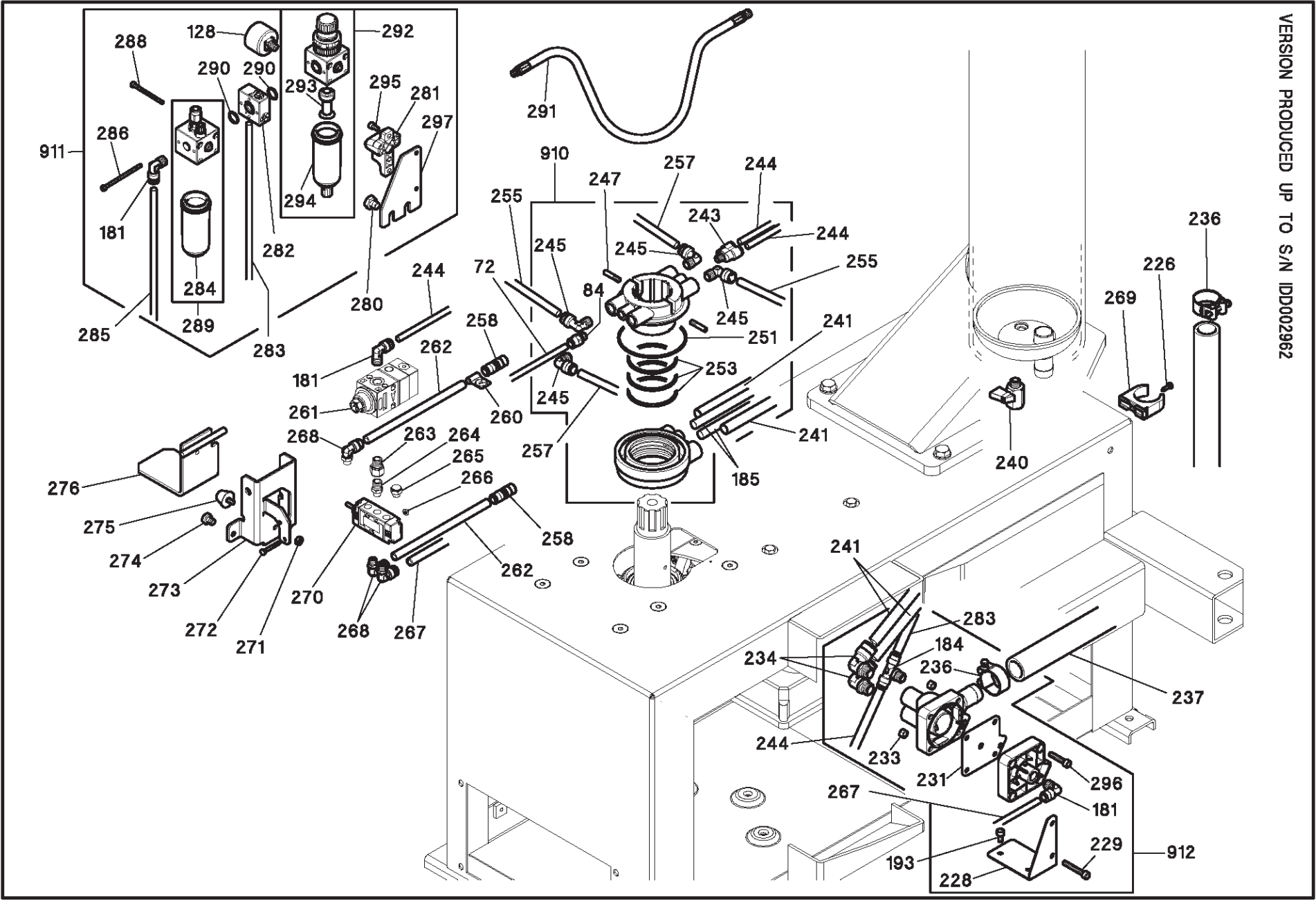
TCX500 Series Tire Changer
REFER TO NEXT SHEET FOR PARTS DESCRIPTION LISTING

PARTS DESCRIPTION LISTING

Form 11-13, 12-10
Supersedes Form 11-13, 11-10
Sheet 10 of 23

Index No.	Part Number	Description
86	RP11-2-00025	RETAINING RING FOR SHAFT D.12
117	RP11-3020873	RILSAN HOSE D.10-8 L.700
127	RP11-3-00076	BANJO STEM DOUBLE-SHORT
166	RP11-2-01020	NUT WITH POLYAMIDE RING M8
174	RP11-3015796	RILSAN HOSE D.10-8 L.1100
175	RP11-4-402011	RILSAN HOSE D.10-8 L.1400
176	RP11-2-00999	SOCKET HEAD CAP SCREW M6X18
177	RP11-2-00211	WASHER FOR HEX CAP SCREW M6
178	RP11-5-400473	SPOOL VALVE 5/2 G.1/4
179	RP11-3-00182	SILENCER G.1/4
180	RP11-3-00479	STRAIGHT MALE ADAPTOR G1/4 T10
181	RP11-3-00060	ORIENTING ELBOW FITTING 1/4 T8
182	RP11-3009687	RILSAN HOSE D.8-6 L.100
184	RP11-3-00293	TEE ORIENTING FITTING G1/4 T8
185	RP11-3009007	RILSAN HOSE D.8-6 L.1300
186	RP11-3-00478	STRAIGHT MALE ADAPTOR G1/4 T.8
191	RP11-2-01267	HEXAGON HEAD CAP SCREW M8X12
192	RP11-3006149	FORK LEAF SPRING
193	RP11-2-00715	SOCKET HEAD CAP SCREW M6X12
201	RP11-4-401968A	PEDAL BASE
202	RP11-3018160	PEDAL PIN
208	RP11-3009553	LEFT PEDAL
209	RP11-2-01257	NUT WITH POLYAMIDE RING M6

Index No.	Part Number	Description
210	RP11-2-01018	NUT WITH POLYAMIDE RING M4
211	RP11-3009407	CONNECTING ROD
212	RP11-2-00397	HEXAGON HEAD CAP SCREW M4X25
213	RP11-2406150	CAM CONNECTING ROD
214	RP11-2-00717	HEXAGON HEAD CAP SCREW M6X60
215	RP11-3009535	RIGHT PEDAL
217	RP11-2-02248	UNDULATED SPRING WASHER D.8
219	RP11-2-00212	WASHER FOR HEX CAP SCREW M8
220	RP11-3009412	TENSION SPRING
223	RP11-3306148	TRIP CAM
224	RP11-3009605	CONNECTING ROD GUIDE BRACKET
225	RP11-2-01981	SELF-TAPPING SCREW D.2,9X6,5
331	RP11-4-402435	MOTOR PEDAL
332	RP11-3-01703	SINGLE BANJO BODY G1/4 T.10
333	RP11-3-00435	SINGLE BANJO BODY G1/4 T.8
334	RP11-3019595	HELICAL TORSION SPRING
335	RP11-2120190	SUPPORT FOR TORSION SPRING
336	RP11-4-402447	RILSAN HOSE D.10-8 L.1600
337	RP11-4-402436	POLYURETHAN SPIRAL HOSE T8-5
906	RP11-5-400493	COMPLETE CHUCK VALVE
907	RP11-5-400498	COMPLETE BEAD-BREAKER VALVE
909	RP11-5-400620	COMPLETE PEDAL SYSTEM
915	RP11-5-400614	COMPLETE AIR MOTOR VALVE



TCX500 Series Tire Changer

REFER TO NEXT SHEET FOR PARTS DESCRIPTION LISTING

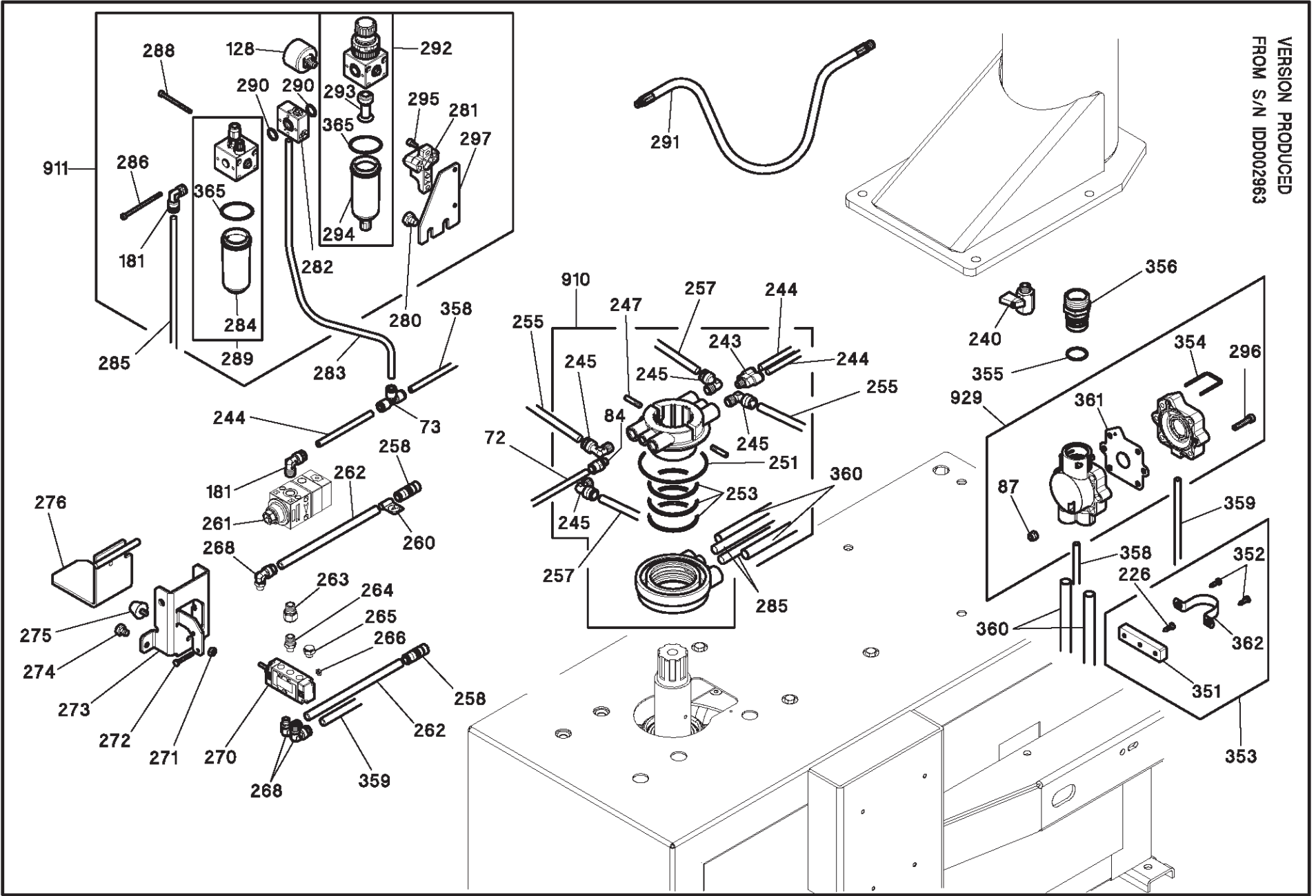
PARTS DESCRIPTION LISTING

Form 11-13, 12-10
Supersedes Form 11-13, 01-10
Sheet 11 of 23

Index No.	Part Number	Description
72	RP11-4-401988	POLYURETHAN SPIRAL HOSE T8-5
84	RP11-3-00477	STRAIGHT MALE ADAPTOR G1/8 T.8
128	RP11-3-00488	MANOMETER G1/8 0-12BAR
181	RP11-3-00060	ORIENTING ELBOW FITTING 1/4 T8
184	RP11-3-00293	TEE ORIENTING FITTING G1/4 T8
185	RP11-3009007	RILSAN HOSE D.8-6 L.1300
193	RP11-2-00715	SOCKET HEAD CAP SCREW M6X12
226	RP11-2-02743	SELF-TAPPING SCREW D.3.9X16
228	RP11-4-401936	VALVE SUPPORT
229	RP11-2-02376	SOCKET HEAD CAP SCREW M6X40
231	RP11-2411999	DIAPHRAGM
233	RP11-2-00111	HIGH NUT M6
234	RP11-3-00589	ORIENTING ELBOW FITTING G3/8
236A	RP11-4211676	HOSE CLAMP D.25-40 (up to s/n IBL006296)
236B	RP11-3-01768	HOSE CLAMP D.36-39 (from s/n IBL006297)
237A	RP11-4-401993	HOSE D.25-35 10BAR (up to s/n IBL006296)
237B	RP11-4-402585	HOSE 20BAR D25-37 (from s/n IBL006297)
240	RP11-3-01569	BALL VALVE G.1/4 M-F
241	RP11-4-402012	RILSAN HOSE D.14-11 L.920
243	RP11-3-00175	Y MALE ADAPTOR G1/8 T8
244	RP11-3014052	RILSAN HOSE D.8-6 L.300
245	RP11-3-00227	ELBOW MALE ADAPTOR G1/4 T.10
247	RP11-3010107	SCREW FOR ROTATING UNION
251	RP11-4210093	O-RING 90X2 DIN3770
253	RP11-4210092	O-RING 3250 (2.62x63.17)
255	RP11-4-402016	POLYURETHAN SPIRAL HOSE 10-6,5
257	RP11-4-401999	POLYURETHAN HOSE D10-6,5 L610
258	RP11-3-00016	STRAIGHT CONNECTOR T.8
260	RP11-3015825	DECAL, A-A HOSES CONNECTION
261	RP11-3-00389	QUICK INFLATING VALVE G1/4
262	RP11-4-402010	RILSAN HOSE D.8-6 L.700
263	RP11-3-00082	REDUCER G1/4 M-F
264	RP11-3-00135	REDUCING NIPPLE G1/8-G1/4
265	RP11-3-00181	SILENCER G.1/8

Index No.	Part Number	Description
266	RP11-2-71516	LOW NUT M4
267	RP11-3095174	RILSAN HOSE D.8-6 L.330
268	RP11-3-00059	ORIENTING ELBOW FITTING 1/8 T8
269	RP11-3-01763	CLIP D.36
270	RP11-4-401730	INFLATING VALVE
271	RP11-2-00155	LOW NUT M6
272	RP11-2-71381	HEXAGON HEAD CAP SCREW M4X30
273	RP11-4-401726	PEDAL SUPPORT WITH STOP
274	RP11-2-00371	HEXAGON HEAD CAP SCREW M8X10
275	RP11-3-02148	SHOCK ABSORBER D. 23X16 M 6X12
276	RP11-4-401720	PEDAL
280	RP11-2-02621	HEXAGON HEAD CAP SCREW M10X10
281	RP11-4220005	FILTER AND LUBRICATOR HOLDER
282	RP11-4220002	CONNECTING BLOCK
283	RP11-3010923	RILSAN HOSE D.8-6 L.800
284	RP11-4220007	LUBRICATOR TANK
285	RP11-3015551	RILSAN HOSE D.8-6 L.1600
286	RP11-2-03033	SOCKET HEAD CAP SCREW M4X70
288	RP11-2-03034	SOCKET HEAD CAP SCREW M4X55
289	RP11-4220004	COMPLETE LUBRICATOR UNIT
290	RP11-4216117	O-RING 2056 (1,78X14)
291	RP11-4-401945	AIR INLET HOSE G1/4-1/4NPT
292A	RP11-4220003	COMPLETE FILTER UNIT (up to s/n IBM007387)
292B	RP11-3-01851	COMPLETE FILTER UNIT (from s/n IBM007388)
293	RP11-4220008	FILTER
294A	RP11-4220006	FILTER TANK (up to s/n IBM007387)
294B	RP11-3-01852	FILTER TANK (from s/n IBM007388)
295	RP11-2-00891	SOCKET HEAD CAP SCREW M5X10
296	RP11-2-00863	SOCKET HEAD CAP SCREW M6X30
297	RP11-4-401967	PNEUMATIC ASSEMBLY SUPPORT
910	RP11-5-400511	COMPLETE ROTATING UNION
911A	RP11-5-400499	PRESSURE REGULATOR+LUBRIC.(up to s/n IBM007387)
911B	RP11-5-400499A	PRESSURE REGULATOR+LUBRIC.(from s/n IBM007388)
912	RP11-5-400466	COMPLETE INFLATING VALVE

VERSION PRODUCED
FROM S/N ID0002963



TCX500 Tire Changer

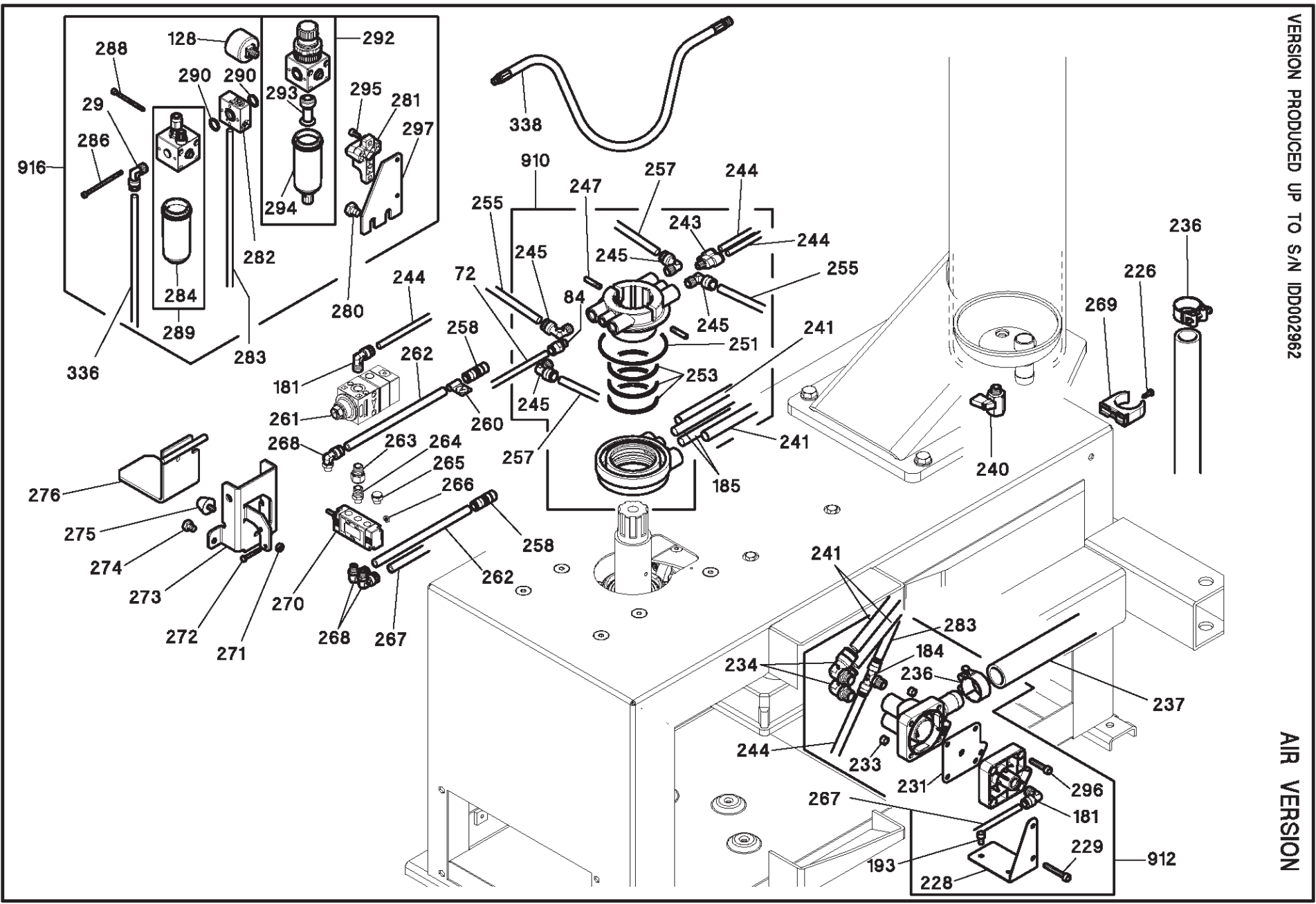
REFER TO NEXT SHEET FOR PARTS DESCRIPTION LISTING

PARTS DESCRIPTION LISTING

Form 11-13, 12-10
Supersedes Form 11-13, 11-10
Sheet 12 of 23

Index No.	Part Number	Description
72	RP11-4-401988	POLYURETHAN SPIRAL HOSE T8-5
73	RP11-3-00025	TEE CONNECTOR T.8
84	RP11-3-00477	STRAIGHT MALE ADAPTOR G1/8 T.8
87	RP11-2-01979	NUT WITH POLYAMIDE RING M6
128	RP11-3-00488	MANOMETER G1/8 0-12BAR
181	RP11-3-00060	ORIENTING ELBOW FITTING 1/4 T8
226	RP11-2-02743	SELF-TAPPING SCREW D.3.9X16
240	RP11-3-01569	BALL VALVE G.1/4 M-F
243	RP11-3-00175	Y MALE ADAPTOR G1/8 T8
244	RP11-3014052	RILSAN HOSE D.8-6 L.300
245	RP11-3-00227	ELBOW MALE ADAPTOR G1/4 T.10
247	RP11-3010107	SCREW FOR ROTATING UNION
251	RP11-4210093	O-RING 90X2 DIN3770
253	RP11-4210092	O-RING 3250 (2.62x63.17)
255	RP11-4-402016	POLYURETHAN SPIRAL HOSE 10-6,5
257	RP11-4-401999	POLYURETHAN HOSE D10-6,5 L610
258	RP11-3-00016	STRAIGHT CONNECTOR T.8
260	RP11-3015825	DECAL, A-A HOSES CONNECTION
261	RP11-3-00389	QUICK INFLATING VALVE G1/4
262	RP11-4-402010	RILSAN HOSE D.8-6 L.700
263	RP11-3-00082	REDUCER G1/4 M-F
264	RP11-3-00135	REDUCING NIPPLE G1/8-G1/4
265	RP11-3-00181	SILENCER G.1/8
266	RP11-2-71516	LOW NUT M4
268	RP11-3-00059	ORIENTING ELBOW FITTING 1/8 T8
270	RP11-4-401730	INFLATING VALVE
271	RP11-2-00155	LOW NUT M6
272	RP11-2-71381	HEXAGON HEAD CAP SCREW M4X30
273	RP11-4-401726	PEDAL SUPPORT WITH STOP
274	RP11-2-00371	HEXAGON HEAD CAP SCREW M8X10
275	RP11-3-02148	SHOCK ABSORBER D. 23X16 M 6X12
276	RP11-4-401720	PEDAL

Index No.	Part Number	Description
280	RP11-2-02621	HEXAGON HEAD CAP SCREW M10X10
281	RP11-4220005	FILTER AND LUBRICATOR HOLDER
282	RP11-4220002	CONNECTING BLOCK
283	RP11-3010923	RILSAN HOSE D.8-6 L.800
284	RP11-4220007	LUBRICATOR TANK
285	RP11-3015551	RILSAN HOSE D.8-6 L.1600
286	RP11-2-03033	SOCKET HEAD CAP SCREW M4X70
288	RP11-2-03034	SOCKET HEAD CAP SCREW M4X55
289	RP11-4220004	COMPLETE LUBRICATOR UNIT
290	RP11-4216117	O-RING 2056 (1,78X14)
291	RP11-4-401945	AIR INLET HOSE G1/4-1/4NPT
292	RP11-3-01851	COMPLETE FILTER UNIT
293	RP11-4220008	FILTER
294	RP11-3-01852	FILTER TANK
295	RP11-2-00891	SOCKET HEAD CAP SCREW M5X10
296	RP11-2-00863	SOCKET HEAD CAP SCREW M6X30
297	RP11-4-401967	PNEUMATIC ASSEMBLY SUPPORT
351	RP11-4-403763	HOLDER FOR HOSE CLAMP
352	RP11-2-71624	SELF-TAPPING SCREW D.5,5X12,7
353	RP11-5-490490	SET FOR CHANGE HOSE CLIP
354	RP11-4-403678	U FORK
355	RP11-3-90168	O-RING (ORM 24.4X2.0)
356	RP11-4-403685	MALE ADAPTER G.1
358	RP11-3015501	RILSAN HOSE D.8-6 L.600
359	RP11-3007493	AIR INLET HOSE
360	RP11-4-403821	RILSAN HOSE D. 14-11 L.1250
361	RP11-4-403680	DIAPHRAGM
362	RP11-3-02106	CLIP D.40
365	RP11-4212295	O-RING 2125 (1,78X31,47)
910	RP11-5-400511	COMPLETE ROTATING UNION
911	RP11-5-400499A	PRESSURE REGULATOR+LUBRICATOR
929	RP11-5-400942	COMPLETE INFLATING VALVE



TCX500 Series Tire Changer
REFER TO NEXT SHEET FOR PARTS DESCRIPTION LISTING

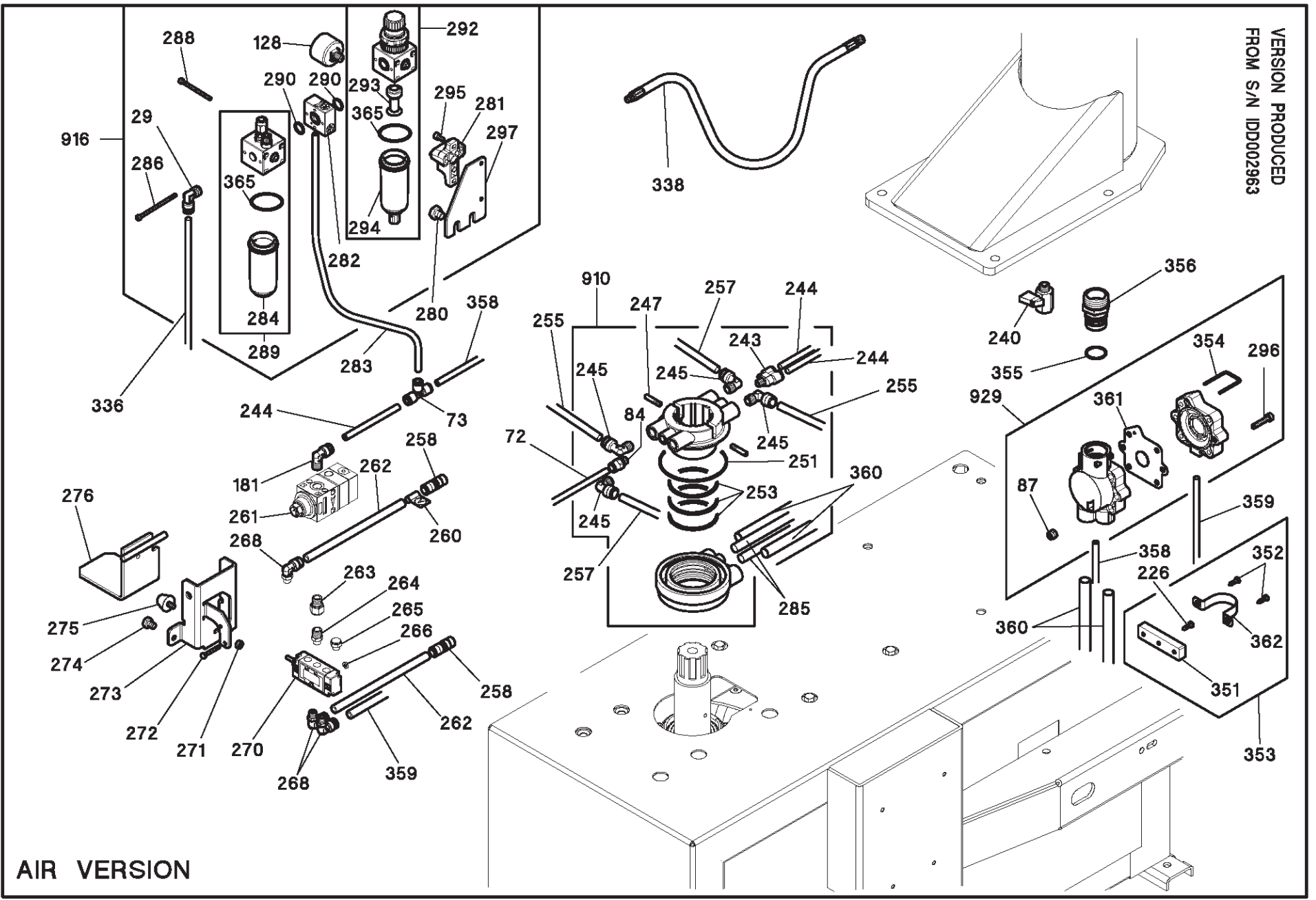
PARTS DESCRIPTION LISTING

Form 11-13, 12-10
Supersedes Form 11-13, 11-10
Sheet 13 of 23

Index No.	Part Number	Description
29	RP11-3-00517	ORIENTING ELBOW FITTING 1/4 10
72	RP11-4-401988	POLYURETHAN SPIRAL HOSE T8-5
84	RP11-3-00477	STRAIGHT MALE ADAPTOR G1/8 T.8
128	RP11-3-00488	MANOMETER G1/8 0-12BAR
181	RP11-3-00060	ORIENTING ELBOW FITTING 1/4 T8
184	RP11-3-00293	TEE ORIENTING FITTING G1/4 T8
185	RP11-3009007	RILSAN HOSE D.8-6 L.1300
193	RP11-2-00715	SOCKET HEAD CAP SCREW M6X12
226	RP11-2-02743	SELF-TAPPING SCREW D.3.9X16
228	RP11-4-401936	VALVE SUPPORT
229	RP11-2-02376	SOCKET HEAD CAP SCREW M6X40
231	RP11-2411999	DIAPHRAGM
233	RP11-2-00111	HIGH NUT M6
234	RP11-3-00589	ORIENTING ELBOW FITTING G3/8
236A	RP11-4211676	HOSE CLAMP D.25-40 (up to s/n IBL006296)
236B	RP11-3-01768	HOSE CLAMP D.36-39 (from s/n IBL006297)
237A	RP11-4-401993	HOSE D.25-35 10BAR (up to s/n IBL006296)
237B	RP11-4-402585	HOSE 20BAR D25-37 (from s/n IBL006297)
240	RP11-3-01569	BALL VALVE G.1/4 M-F
241	RP11-4-402012	RILSAN HOSE D.14-11 L.920
243	RP11-3-00175	Y MALE ADAPTOR G1/8 T8
244	RP11-3014052	RILSAN HOSE D.8-6 L.300
245	RP11-3-00227	ELBOW MALE ADAPTOR G1/4 T.10
247	RP11-3010107	SCREW FOR ROTATING UNION
251	RP11-4210093	O-RING 90X2 DIN3770
253	RP11-4210092	O-RING 3250 (2.62x63.17)
255	RP11-4-402016	POLYURETHAN SPIRAL HOSE 10-6,5
257	RP11-4-401999	POLYURETHAN HOSE D10-6,5 L610
258	RP11-3-00016	STRAIGHT CONNECTOR T.8
260	RP11-3015825	DECAL, A-A HOSES CONNECTION
261	RP11-3-00389	QUICK INFLATING VALVE G1/4
262	RP11-4-402010	RILSAN HOSE D.8-6 L.700
263	RP11-3-00082	REDUCER G1/4 M-F

Index No.	Part Number	Description
264	RP11-3-00135	REDUCING NIPPLE G1/8-G1/4
265	RP11-3-00181	SILENCER G.1/8
266	RP11-2-71516	LOW NUT M4
267	RP11-3095174	RILSAN HOSE D.8-6 L.330
268	RP11-3-00059	ORIENTING ELBOW FITTING 1/8 T8
269	RP11-3-01763	CLIP D.36
270	RP11-4-401730	INFLATING VALVE
271	RP11-2-00155	LOW NUT M6
272	RP11-2-71381	HEXAGON HEAD CAP SCREW M4X30
273	RP11-4-401726	PEDAL SUPPORT WITH STOP
274	RP11-2-00371	HEXAGON HEAD CAP SCREW M8X10
275	RP11-3-02148	SHOCK ABSORBER D. 23X16 M 6X12
276	RP11-4-401720	PEDAL
280	RP11-2-02621	HEXAGON HEAD CAP SCREW M10X10
281	RP11-4220005	FILTER AND LUBRICATOR HOLDER
282	RP11-4220002	CONNECTING BLOCK
283	RP11-3010923	RILSAN HOSE D.8-6 L.800
284	RP11-4220007	LUBRICATOR TANK
286	RP11-2-03033	SOCKET HEAD CAP SCREW M4X70
288	RP11-2-03034	SOCKET HEAD CAP SCREW M4X55
289	RP11-4220004	COMPLETE LUBRICATOR UNIT
290	RP11-4216117	O-RING 2056 (1,78X14)
292	RP11-3-01851	COMPLETE FILTER UNIT
293	RP11-4220008	FILTER
294	RP11-3-01852	FILTER TANK
295	RP11-2-00891	SOCKET HEAD CAP SCREW M5X10
296	RP11-2-00863	SOCKET HEAD CAP SCREW M6X30
297	RP11-4-401967	PNEUMATIC ASSEMBLY SUPPORT
336	RP11-4-402447	RILSAN HOSE D.10-8 L.1600
338	RP11-4-402573	AIR INLET HOSE G1/4-1/4NPT
910	RP11-5-400511	COMPLETE ROTATING UNION
912	RP11-5-400466	COMPLETE INFLATING VALVE
916	RP11-5-400618A	PRESSURE REGULATOR+LUBRICATOR

VERSION PRODUCED
FROM S/N IDD002963



AIR VERSION

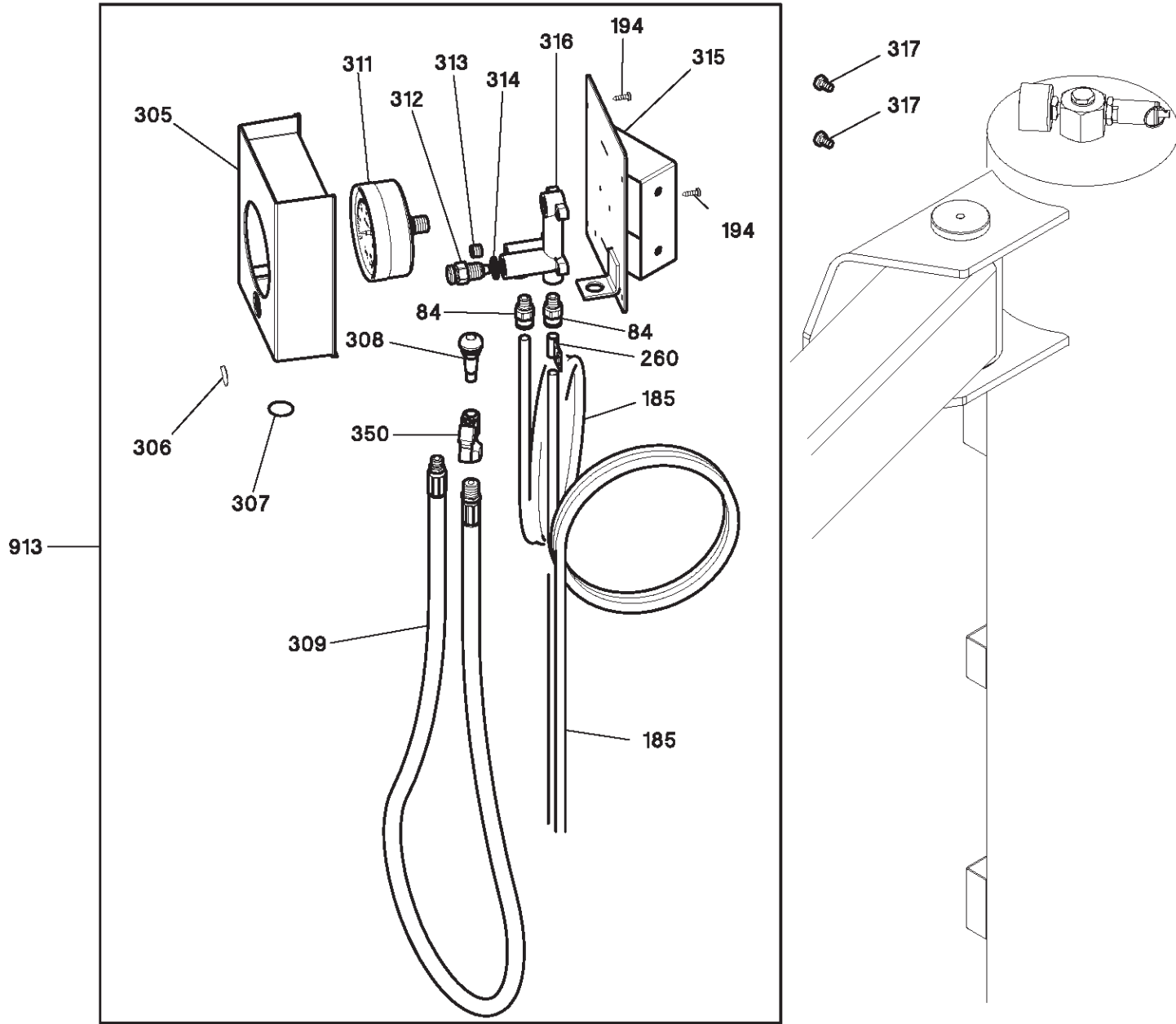
TCX500 Series Tire Changer
REFER TO NEXT SHEET FOR PARTS DESCRIPTION LISTING

PARTS DESCRIPTION LISTING

Form 11-13, 12-10
Supersedes Form 11-13, 11-10
Sheet 14 of 23

Index No.	Part Number	Description
29	RP11-3-00517	ORIENTING ELBOW FITTING 1/4 10
72	RP11-4-401988	POLYURETHAN SPIRAL HOSE T8-5
73	RP11-3-00025	TEE CONNECTOR T.8
84	RP11-3-00477	STRAIGHT MALE ADAPTOR G1/8 T.8
87	RP11-2-01979	NUT WITH POLYAMIDE RING M6
128	RP11-3-00488	MANOMETER G1/8 0-12BAR
181	RP11-3-00060	ORIENTING ELBOW FITTING 1/4 T8
226	RP11-2-02743	SELF-TAPPING SCREW D.3.9X16
240	RP11-3-01569	BALL VALVE G.1/4 M-F
243	RP11-3-00175	Y MALE ADAPTOR G1/8 T8
244	RP11-3014052	RILSAN HOSE D.8-6 L.300
245	RP11-3-00227	ELBOW MALE ADAPTOR G1/4 T.10
247	RP11-3010107	SCREW FOR ROTATING UNION
251	RP11-4210093	O-RING 90X2 DIN3770
253	RP11-4210092	O-RING 3250 (2.62x63.17)
255	RP11-4-402016	POLYURETHAN SPIRAL HOSE 10-6,5
257	RP11-4-401999	POLYURETHAN HOSE D10-6,5 L610
258	RP11-3-00016	STRAIGHT CONNECTOR T.8
260	RP11-3015825	DECAL, A-A HOSES CONNECTION
261	RP11-3-00389	QUICK INFLATING VALVE G1/4
262	RP11-4-402010	RILSAN HOSE D.8-6 L.700
263	RP11-3-00082	REDUCER G1/4 M-F
264	RP11-3-00135	REDUCING NIPPLE G1/8-G1/4
265	RP11-3-00181	SILENCER G.1/8
266	RP11-2-71516	LOW NUT M4
268	RP11-3-00059	ORIENTING ELBOW FITTING 1/8 T8
270	RP11-4-401730	INFLATING VALVE
271	RP11-2-00155	LOW NUT M6
272	RP11-2-71381	HEXAGON HEAD CAP SCREW M4X30
273	RP11-4-401726	PEDAL SUPPORT WITH STOP
274	RP11-2-00371	HEXAGON HEAD CAP SCREW M8X10
275	RP11-3-02148	SHOCK ABSORBER D. 23X16 M 6X12
276	RP11-4-401720	PEDAL

Index No.	Part Number	Description
280	RP11-2-02621	HEXAGON HEAD CAP SCREW M10X10
281	RP11-4220005	FILTER AND LUBRICATOR HOLDER
282	RP11-4220002	CONNECTING BLOCK
283	RP11-3010923	RILSAN HOSE D.8-6 L.800
284	RP11-4220007	LUBRICATOR TANK
285	RP11-3015551	RILSAN HOSE D.8-6 L.1600
286	RP11-2-03033	SOCKET HEAD CAP SCREW M4X70
288	RP11-2-03034	SOCKET HEAD CAP SCREW M4X55
289	RP11-4220004	COMPLETE LUBRICATOR UNIT
290	RP11-4216117	O-RING 2056 (1,78X14)
292	RP11-3-01851	COMPLETE FILTER UNIT
293	RP11-4220008	FILTER
294	RP11-3-01852	FILTER TANK
295	RP11-2-00891	SOCKET HEAD CAP SCREW M5X10
296	RP11-2-00863	SOCKET HEAD CAP SCREW M6X30
297	RP11-4-401967	PNEUMATIC ASSEMBLY SUPPORT
336	RP11-4-402447	RILSAN HOSE D.10-8 L.1600
338	RP11-4-402573	AIR INLET HOSE G1/4-1/4NPT
351	RP11-4-403763	HOLDER FOR HOSE CLAMP
352	RP11-2-71624	SELF-TAPPING SCREW D.5,5X12,7
353	RP11-5-490490	SET FOR CHANGE HOSE CLIP
354	RP11-4-403678	U FORK
355	RP11-3-90168	O-RING (ORM 24.4X2.0)
356	RP11-4-403685	MALE ADAPTER G.1
358	RP11-3015501	RILSAN HOSE D.8-6 L.600
359	RP11-3007493	AIR INLET HOSE
360	RP11-4-403821	RILSAN HOSE D. 14-11 L.1250
361	RP11-4-403680	DIAPHRAGM
362	RP11-3-02106	CLIP D.40
365	RP11-4212295	O-RING 2125 (1,78X31,47)
910	RP11-5-400511	COMPLETE ROTATING UNION
916	RP11-5-400618A	PRESSURE REGULATOR+LUBRICATOR
929	RP11-5-400942	COMPLETE INFLATING VALVE



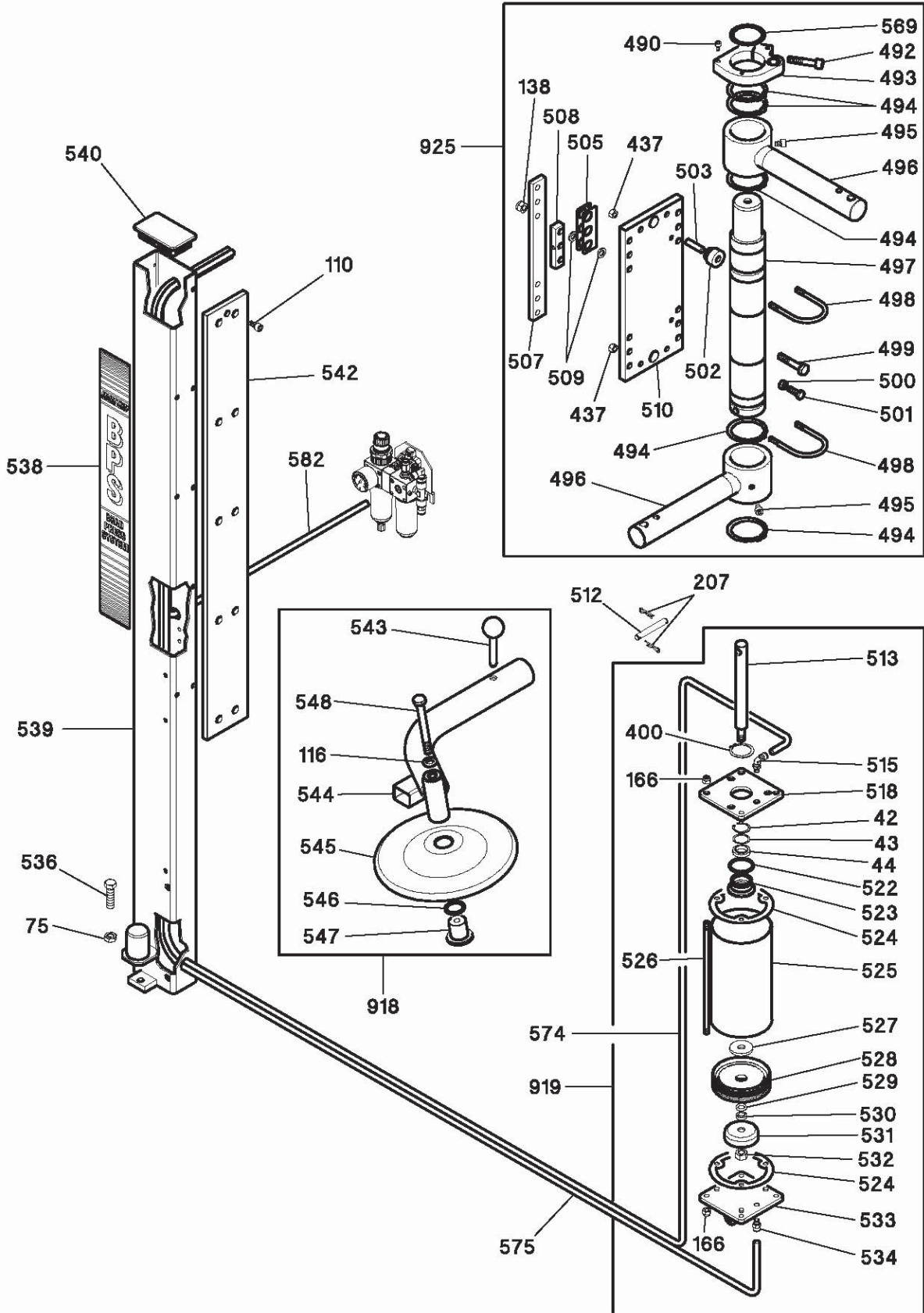
PARTS DESCRIPTION LISTING

Form 11-13, 12-10
 Supersedes Form 11-13, 11-10
 Sheet 15 of 23

Index No.	Part Number	Description
84	RP11-3-00477	STRAIGHT MALE ADAPTOR G1/8 T.8
185	RP11-3009007	RILSAN HOSE D.8-6 L.1300
194	RP11-2-71491	SELF-TAPPING SCREW D.3.5X12.7
260	RP11-3015825	DECAL, A-A HOSES CONNECTION
305	RP11-3315382	BOX PANEL
306	RP11-4-402021	DECAL MANUAL BLEED VALVE
307	RP11-3014074	DECAL, A
308	RP11-3-01568	RUBBER CORE VALVE
309	RP11-4-401800	AIR OUTLET HOSE G1/8-1/4NPT

Index No.	Part Number	Description
311	RP11-3-01552	PRESSURE GAUGE G1/4 0-60PSI
312	RP11-3012530	PUSH-BUTTON
313	RP11-3-00198	MALE PLUG G1/8
314	RP11-3-00445	NYLON NOTCHED-WASHER G1/4
315	RP11-4-401799	BOX BASE
316	RP11-3315381	MANIFOLD
317	RP11-2-00359	HEXAGON HEAD CAP SCREW M6X10
350	145-341-2	CLIP ON AIR CHUCK
913	RP11-5-400446	ULGS HUNTER INFLATOR BOX

BPS



TCX500 BEAD PRESS SYSTEM (OPTIONAL)

TCX500 Tire Changer

REFER TO NEXT SHEET FOR PARTS DESCRIPTION LISTING

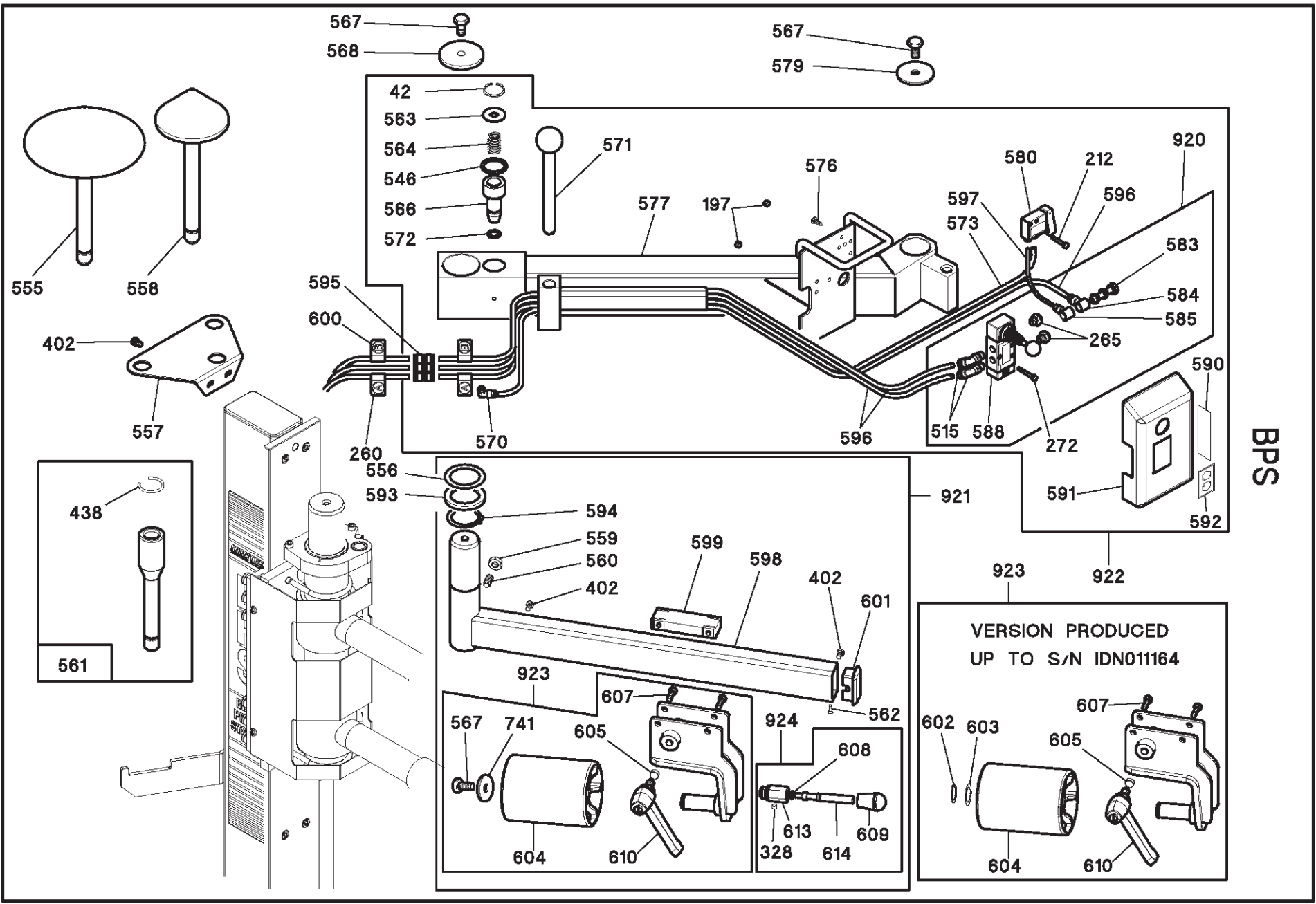
PARTS DESCRIPTION LISTING

Form 11-13, 12-10
Supersedes Form 11-13, 11-10
Sheet 16 of 23

Index No.	Part Number	Description
42	RP11-4300414	RETAINING RING FOR BORE D.30
43	RP11-3010912	WASHER 24X29,5X0,5
44	RP11-4206114	LIPPED GASKET NSW 20-30-6
75	RP11-2-00158	NUT M12
110	RP11-2-00319	SOCKET HEAD CAP SCREW M8X16
116	RP11-2-00214	WASHER FOR HEX CAP SCREW M12
138	RP11-2-01019	NUT WITH POLYAMIDE RING M10
166	RP11-2-01020	NUT WITH POLYAMIDE RING M8
207	RP11-4300179	HAIR PIN
400	RP11-2-02976	RETAINING RING FOR SHAFT D.36
437	RP11-2-94009	SELF-LOCKING METAL NUT M8
490	RP11-2-01006	SOCKET HEAD CAP SCREW M6X8
492	RP11-2-01237	SOCKET HEAD CAP SCREW M10X50
493	RP11-2020450	STROKE END WITH BUSH
494	RP11-2-71592	RETAINING RING FOR SHAFT D.60
495	RP11-2-01053	SOCKET HEAD CAP SCREW M8X10
496	RP11-4-401918	ARM SUPPORT
497	RP11-3019415	SHAFT D.60
498	RP11-3019459	FORK
499	RP11-2-01046	HEXAGON HEAD CAP SCREW M10X55
500	RP11-2-00151	NUT M8
501	RP11-2-00374	HEXAGON HEAD CAP SCREW M8X25
502	RP11-3019458	CARRIAGE SPACER
503	RP11-2-03010	PARALLEL PIN ISO8734A D.10X40
505	RP11-4-401951	CARRIAGE SLIDE
507	RP11-4-401952	CARRIAGE REAR PLATE
508	RP11-3019842	SLIDE REINFORCEMENT
509	RP11-3019847	SLIDE SPECER
510	RP11-3019457	CARRIAGE PLATE
512	RP11-3019577	CYLINDER UPPER PIN
513	RP11-3019384	SHAFT D.20
515	RP11-3-00057	ORIENTING ELBOW FITTING 1/8 T6

Index No.	Part Number	Description
518	RP11-3019381	FRONT FLANGE
522	RP11-4219438	O-RING 3150 (2,62X37,77)
523	RP11-3019383	GASKET BUSH
524	RP11-3319378	CASING GASKET
525	RP11-3019377	CASING D.100
526	RP11-3019387	TIE ROD M.8
527	RP11-3011673	WASHER 12.5X40X5
528	RP11-4217851	GASKET WITH FLANGE D.100
529	RP11-4215477	O-RING 4050 (3,53X12,29)
530	RP11-3017857	PISTON BUSH
531	RP11-3019385	PISTON SPACER
532	RP11-2-00153	NUT M12
533	RP11-2119695	REAR FLANGE
534	RP11-3-00476	STRAIGHT MALE ADAPTOR G1/8 T.6
536	RP11-2-03257	HEXAGON HEAD CAP SCREW M12X45
538	RP11-4-402018	DECAL, BPS
539	RP11-2119462E	VERTCAL POST
540	RP11-3316346	PLASTIC CAP 100X60X4-5
542	RP11-3019461	CARRIAGE GUIDE
543	RP11-2016258	BEAD BREAKER ARM LOCKING
544	RP11-2119499	BEAD BREAKER ARM
545	RP11-3314517	BEAD BREAKER DISK
546	RP11-4206389	O-RING 4112 (3,53X28,17)
547	RP11-3014507	BEAD BREAKER DISK HUB
548	RP11-2-71395	HEXAGON HEAD CAP SCREW M12X120
569	RP11-3019488	WASHER 50.5X60X1
574	RP11-3016512	RILSAN HOSE D.6-4 L.2600
575	RP11-3007469	RILSAN HOSE D.6-4 L.2000
582	RP11-4-402006	RILSAN HOSE D.6-4 L.1600
918	RP11-2019839	COMPLETE BEAD BREAKER ARM
919	RP11-2019375	COMPLETE CYLINDER D.100
925	RP11-5-400490	COMPLETE CARRIAGE

BPS



VERSION PRODUCED
UP TO S/N IDN011164

TCX500 Series Tire Changer
REFER TO NEXT SHEET FOR PARTS DESCRIPTION LISTING

PARTS DESCRIPTION LISTING

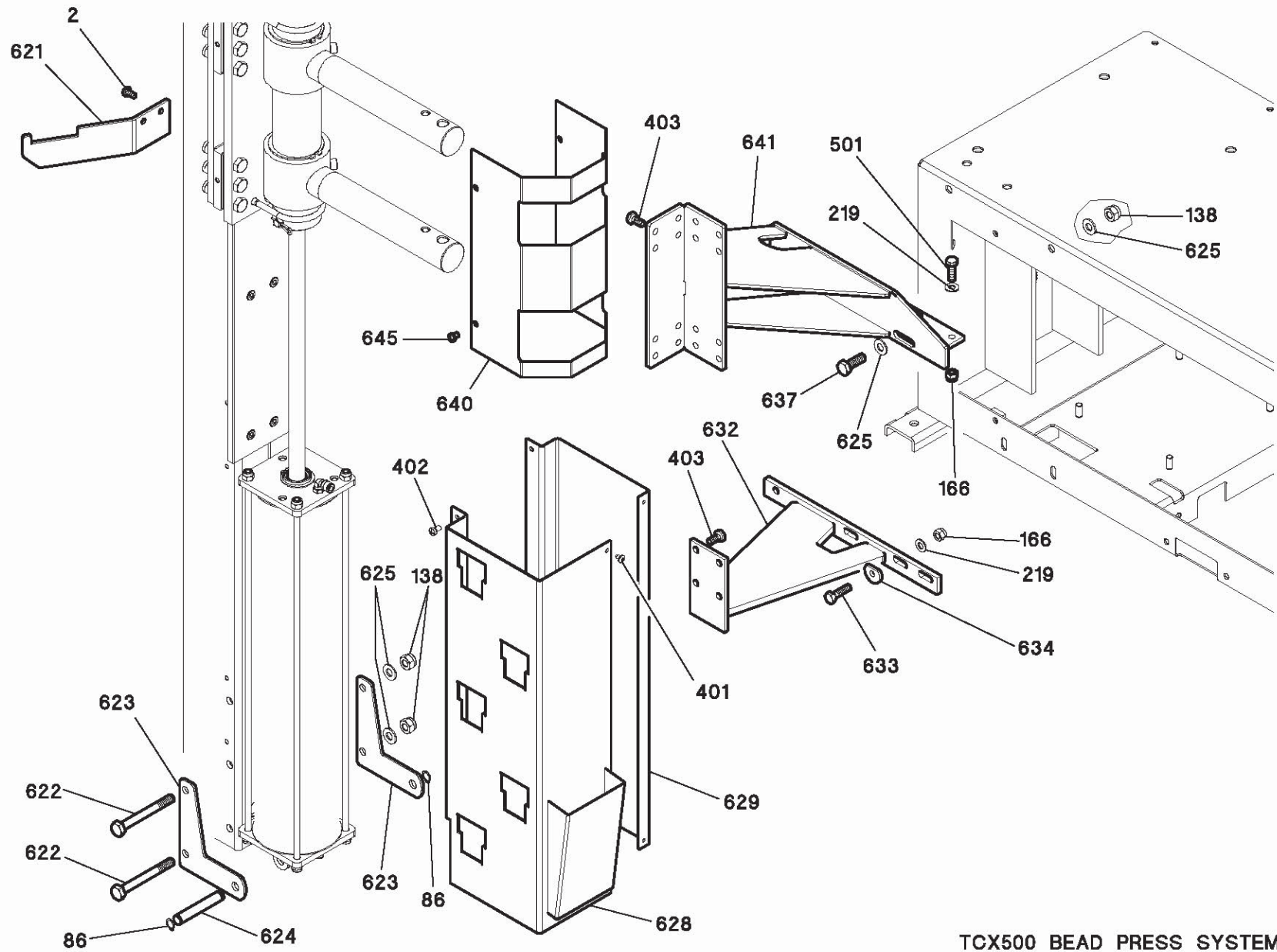
Form 11-13, 12-10
Supersedes Form 11-13, 11-10
Sheet 17 of 23

Index No.	Part Number	Description
42	RP11-4300414	RETAINING RING FOR BORE D.30
197	RP11-2-71506	NUT M4
212	RP11-2-00397	HEXAGON HEAD CAP SCREW M4X25
260	RP11-3015825	DECAL, A-A HOSES CONNECTION
265	RP11-3-00181	SILENCER G.1/8
272	RP11-2-71381	HEXAGON HEAD CAP SCREW M4X30
328	RP11-2-00801	SOCKET SET SCREW M6X6
402	RP11-2-02362	CROSS PAN HEAD SCREW M6X10
438	RP11-4-404286	RETAINING RING
515	RP11-3-00057	ORIENTING ELBOW FITTING 1/8 T6
546	RP11-4206389	O-RING 4112 (3,53X28,17)
555	RP11-2121350	RIM HOLE PRESSING CONE
556	RP11-3017419	WASHER 40.5X55X1
557	RP11-3021238	SUPPORT
558	RP11-2413305	RIM HOLE PRESSING CONE
559	RP11-2-00157	NUT M10
560	RP11-4206824	SPRING PLUNGER WITH BALL
561	RP11-2202239	RIM HOLE PRESSING EXTENSION
562	RP11-2-02764	SELF-TAPPING SCREW D.3.5X13
563	RP11-2-02222	PLANIN WASHER 11X30X2.5
564	RP11-3015546	HELICAL COMPRESSION SPRING
566	RP11-3019479	STOPPER PIN
567	RP11-2-00379	HEXAGON HEAD CAP SCREW M10X20
568	RP11-3019535	WASHER 10.5X60X6
570	RP11-3-00239	ORIENTING ELBOW FITTING M5 T.4
571	RP11-2021054	ARM LOCKING PIN
572	RP11-4211406	O-RING 3050 (2,62X12,37)
573	RP11-3019706	RILSAN HOSE D.4-2 L.600
576	RP11-2-02411	SELF-TAPPING SCREW D.4,8X16
577	RP11-4-401942	CONTROL ARM
579	RP11-3014504	WASHER 10.5X50X4
580	RP11-3-01360	TASTE LEVER MICROVALVE 3/2 NC

Index No.	Part Number	Description
583	RP11-3-00075	BANJO STEM DOUBLE - SHORT G1/8
584	RP11-3-00515	SINGLE BANJO BODY G1/8 T.6
585	RP11-3-00514	SINGLE BANJO BODY G1/8 T.4
588	RP11-3-01359	MANUALLY ACTUATED VALVE G1/8
590	RP11-3016568	DECAL, INSTRUCTION FOR HANDLE
591	RP11-4-400708	VALVE COVER
592	RP11-3013640	DECAL, ARROWS UP-DOWN
593	RP11-3019487	WASHER FOR RETAINING RING
594	RP11-2-00792	RETAINING RING FOR SHAFT D.40
595	RP11-3-00015	STRAIGHT CONNECTOR T.6
596	RP11-3093959	RILSAN HOSE D.6-4 L. 800
597	RP11-3016732	RILSAN HOSE D.4-2 L.180
598	RP11-4-401920	ROTATING ARM
599	RP11-4-401921	SPACER FOR ROLLER SUPPORT
600	RP11-3019822	DECAL, B-B HOSES CONNECTION
601	RP11-3319500	PLASTIC CAP
602	RP11-2-71587	RETAINING RING FOR SHAFT D.20
603	RP11-3011413	WASHER 20.5X30X0.3
604	RP11-4-401925	ROLLER
605	RP11-4-400022	PAD FOR ROLLER SUPPORT
607	RP11-2-02754	CROSS PAN HEAD SCREW M6X20
608	RP11-4214516	O-RING 106
609	RP11-3305235	PLASTIC KNOB D.10
610	RP11-3-01613	ADJUSTABLE LEVER M10X20 L.80
613	RP11-3021338	ROTATION LOCKING BLOCK
614	RP11-3021337	ROTATION LOCKING PIN
741	RP11-3007143	WASHER 10,25X36X4
920	RP11-5-400161	COMPLETE VALVE PTX
921	RP11-5-400488	COMPLETE ROTATING ARM
922	RP11-5-490273	COMPLETE CONTROL ARM
923	RP11-5-490274	COMPLETE ROLLER SUPPORT
924	RP11-2202345	COMPLETE LOCKING PIN

BPS

TCX500 BEAD PRESS SYSTEM (OPTIONAL)



TCX500 Series Tire Changer

REFER TO NEXT SHEET FOR PARTS DESCRIPTION LISTING

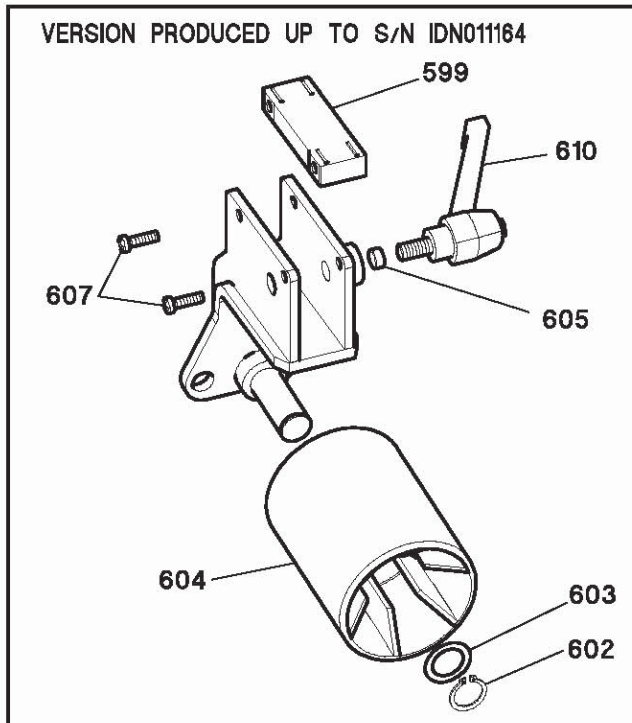
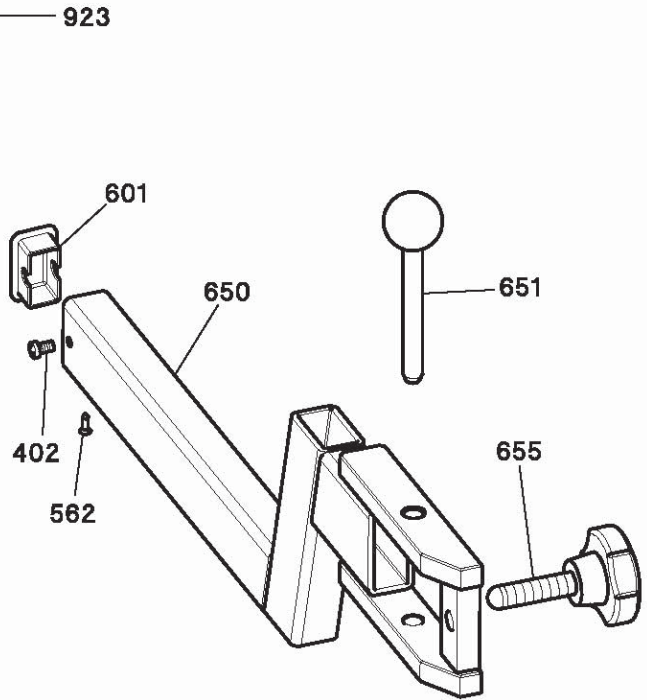
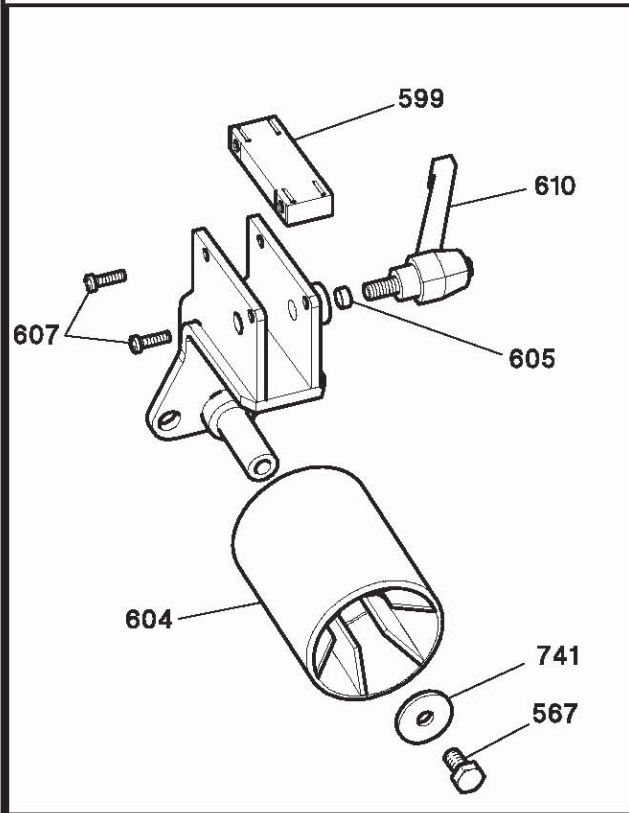
PARTS DESCRIPTION LISTING

Form 11-13, 12-10
Supersedes Form 11-13, 11-10
Sheet 18 of 23

Index No.	Part Number	Description
2	RP11-2-02755	CROSS PAN HEAD SCREW M6X12
86	RP11-2-00025	RETAINING RING FOR SHAFT D.12
138	RP11-2-01019	NUT WITH POLYAMIDE RING M10
166	RP11-2-01020	NUT WITH POLYAMIDE RING M8
219	RP11-2-00212	WASHER FOR HEX CAP SCREW M8
401	RP11-2-91660	SELF TAPPING SCREW D.4,8X9,8
402	RP11-2-02362	CROSS PAN HEAD SCREW M6X10
403	RP11-2-00372	HEXAGON HEAD CAP SCREW M8X16
501	RP11-2-00374	HEXAGON HEAD CAP SCREW M8X25
621	RP11-4-402098	BPT ARM HOLDER
622	RP11-2-72073	HEXAGON HEAD CAP SCREW M10X90
623	RP11-3019480	CYLINDER CONNECTING PLATE

Index No.	Part Number	Description
624	RP11-3019481	CYLINDER LOWER PIN
625	RP11-2-00213	WASHER FOR HEX CAP SCREW M10
628	RP11-2120037	LEFT CYLINDER COVER
629	RP11-3020040	RIGHT CYLINDER COVER
632	RP11-4-401949	LOWER CONNECTION PLATE
633	RP11-2-00375	HEXAGON HEAD CAP SCREW M8X30
634	RP11-3020812	WASHER 8.1X26.5X4
637	RP11-2-01037	HEXAGON HEAD CAP SCREW M10X30
640	RP11-3020041	CARRIAGE COVER
641	RP11-4-402051	UPPER CONNECTION PLATE
645	RP11-2-02368	CROSS PAN HEAD SCREW M6X8

BPS

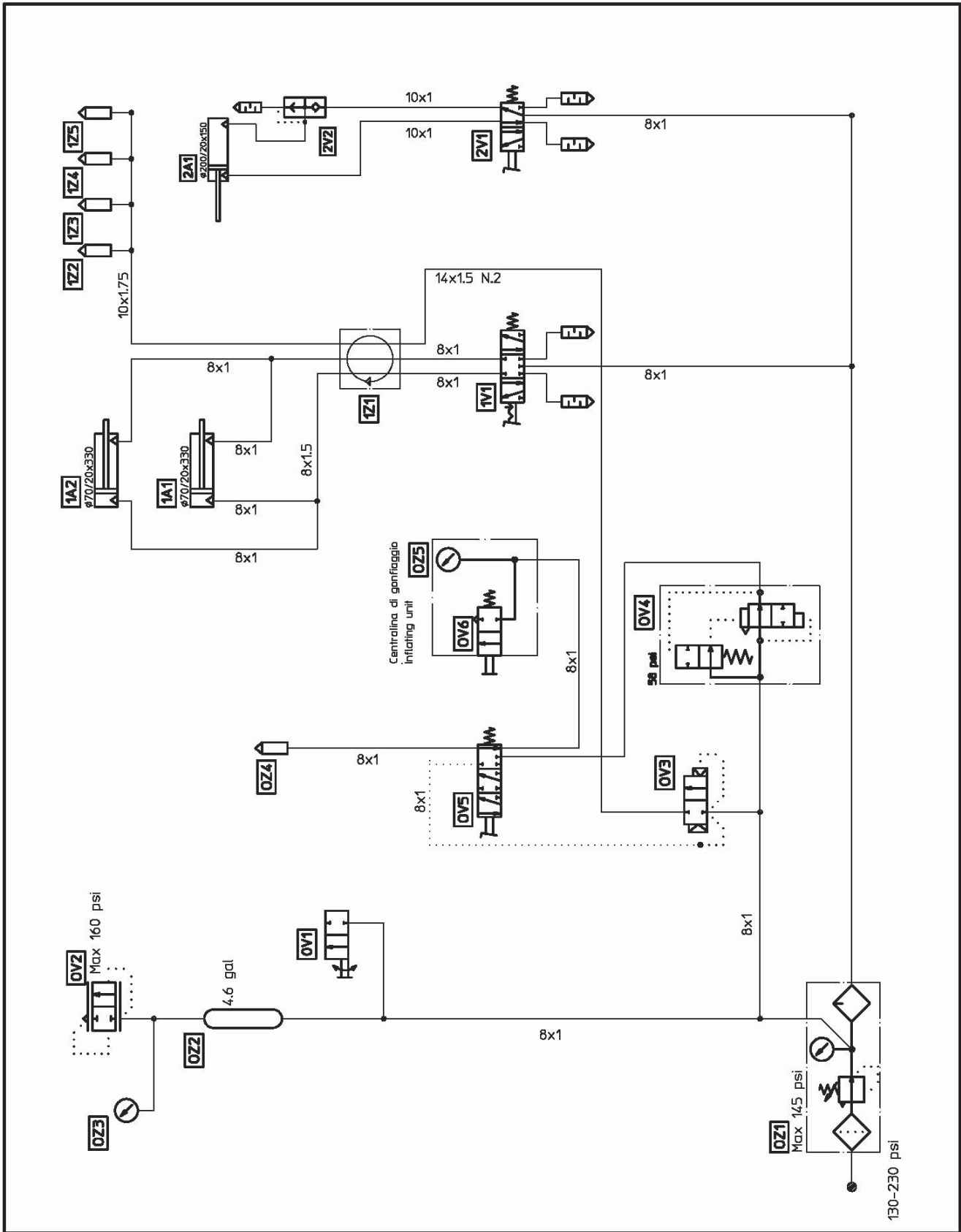


923

TCX500 BEAD PRESS SYSTEM (OPTIONAL)

TCX500 Series Tire Changer
REFER TO NEXT SHEET FOR PARTS DESCRIPTION LISTING

ELECTRIC VERSION



TCX500 Series Tire Changer

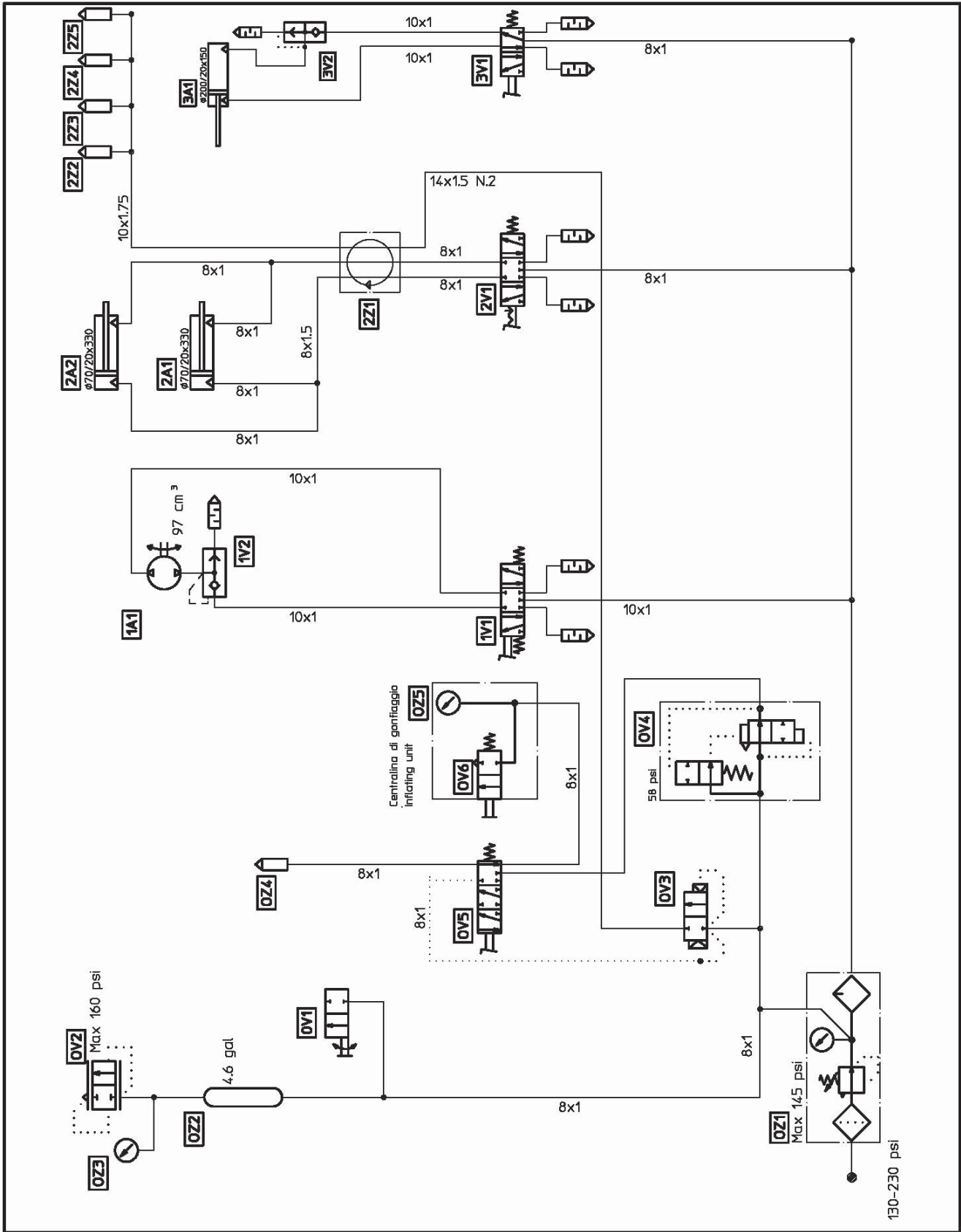
REFER TO NEXT SHEET FOR PARTS DESCRIPTION LISTING

PARTS DESCRIPTION LISTING

Form 11-13, 12-10
 Supersedes Form 11-13, 11-10
 Sheet 20 of 23

Index No.	Description
0V1	Ball valve G 1/4" M/F
0V2	Safety valve G 1/4" 160 PSI
0V3	Complete inflating valve for TCX500
0V4	Quick inflating valve G 1/4"
0V5	Inflating valve
0V6	Manifold
0Z1	Water separator and pressure regulator+lubricator
0Z2	Air tank 4.6 gal. Conformiti ASME code.
0Z3	Pressure gauge D.40 1/4 0-170 PSI
0Z4	Clip-on air chuck
0Z5	Pressure gauge D.80 1/4 NPT 0-60 PSI
1A1	Cylinder D.70x20x355
1A2	Cylinder D.70x20x355
1V1	Complete self-centering chuck valve
1Z1	Complete rotating union for TCX500
1Z2	Slide with nozzle and union
1Z3	Slide with nozzle and union
1Z4	Slide with nozzle and union
1Z5	Slide with nozzle and union
2A1	Cylinder D.200x20x150
2V1	Complete bead-breaker valve
2V2	Valve G1/4"

AIR VERSION



TCX500 Series Tire Changer

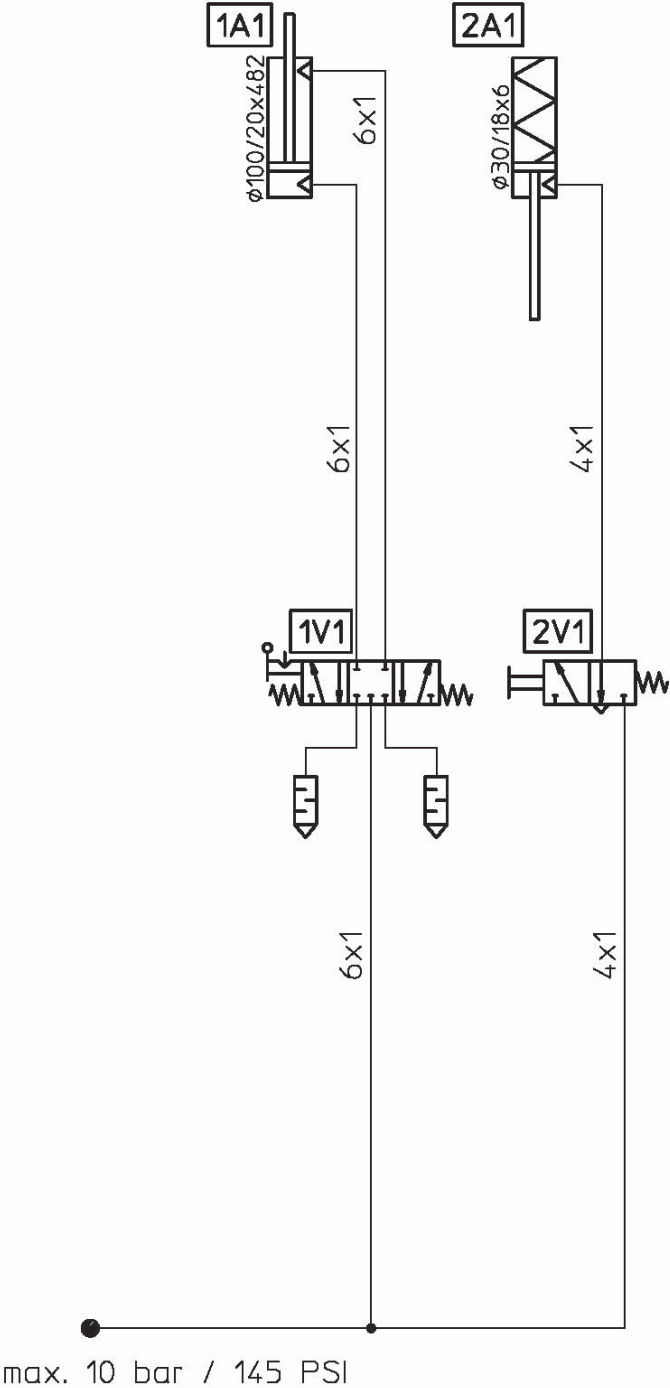
REFER TO NEXT SHEET FOR PARTS DESCRIPTION LISTING

PARTS DESCRIPTION LISTING

Form 11-13, 12-10
 Supersedes Form 11-13, 11-10
 Sheet 21 of 23

Index No.	Description
0V1	Ball valve G 1/4" M/F
0V2	Safety valve G 1/4" 160 PSI
0V3	Complete inflating valve for TCX500
0V4	Quick inflating valve G 1/4"
0V5	Inflating valve
0V6	Manifold
0Z1	Water separator and pressure regulator+lubricator
0Z2	Air tank 4.6 gal. Conformiti ASME code.
0Z3	Pressure gauge D.40 1/4 0-170 PSI
0Z4	Clip-on air chuck
0Z5	Pressure gauge D.80 1/4 NPT 0-60 PSI
1A1	Gast motor
1V1	Complete air motor valve
1V2	Valve G1/4"
2A1	Cylinder D.70x20x355
2A2	Cylinder D.70x20x355
2V1	Complete self-centering chuck valve
2Z1	Complete rotating union for TCX500
2Z2	Slide with nozzle and union
2Z3	Slide with nozzle and union
2Z4	Slide with nozzle and union
2Z5	Slide with nozzle and union
3A1	Cylinder D.200x20x150
3V1	Complete bead-breaker valve
3V2	Valve G1/4"

BPS



TCX500 Series Tire Changer

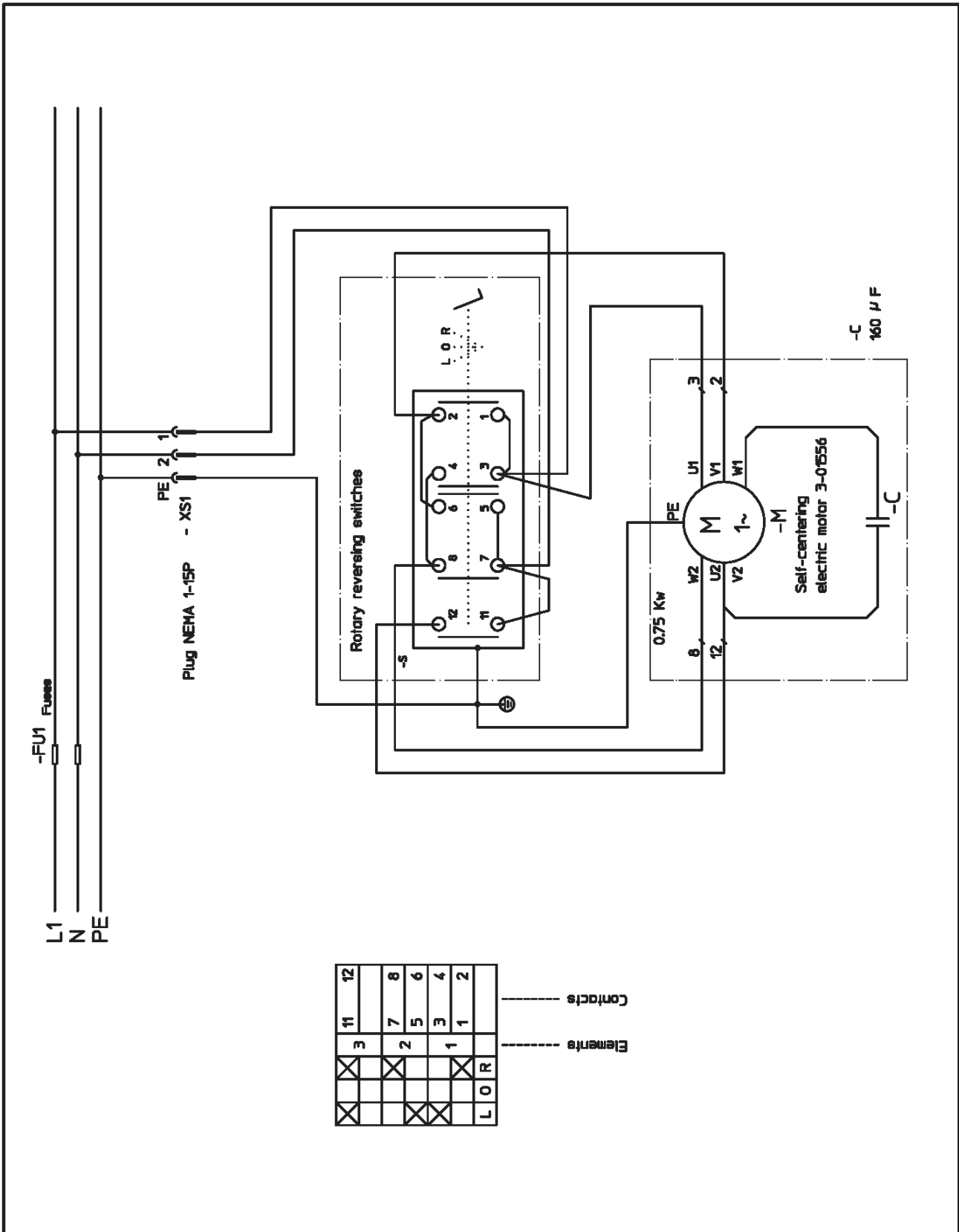
REFER TO NEXT SHEET FOR PARTS DESCRIPTION LISTING

PARTS DESCRIPTION LISTING

Form 11-13, 12-10
Supersedes Form 11-13, 11-10
Sheet 22 of 23

Index No.	Description
1A1	Carriage control cylinder
1V1	Control valve
2A1	Stopping cylinder
2V1	Microvalve

WIRE DIAGRAM



3	11	12	
2	7	8	
5	5	6	
1	3	4	
	1	2	
L	O	R	

Contacts
Elements

TCX500 Series Tire Changer
REFER TO NEXT SHEET FOR PARTS DESCRIPTION LISTING