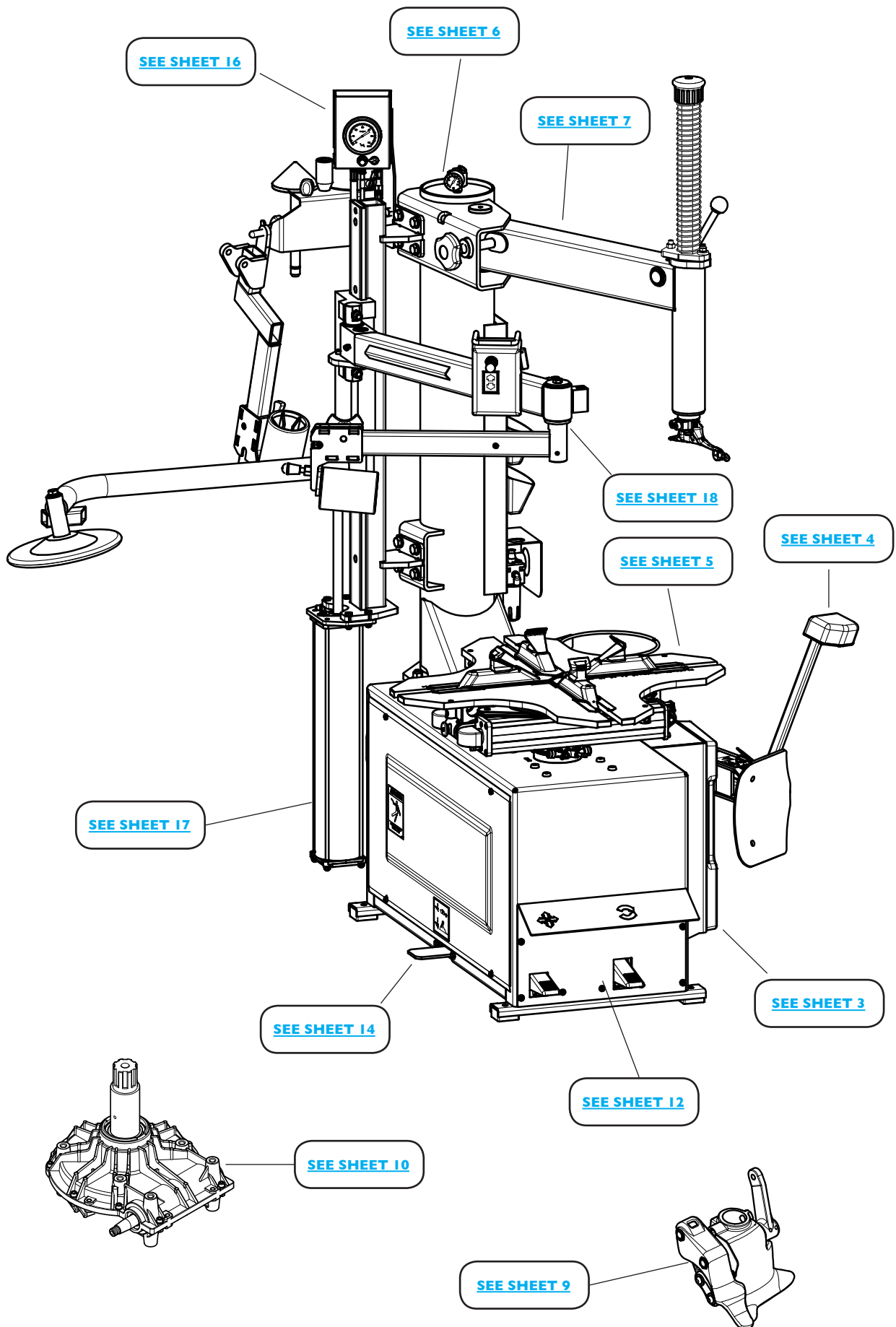


**Version produced from S/N IPG776530
(new turntable)**

TCX50 Tire Changer

©2020 Hunter Engineering Company

OVERALL



TCX50 Tire Changer

REFER TO NEXT SHEET FOR PARTS DESCRIPTION LISTING

TCX50 SERIES ACCESSORIES (NOT SHOWN)

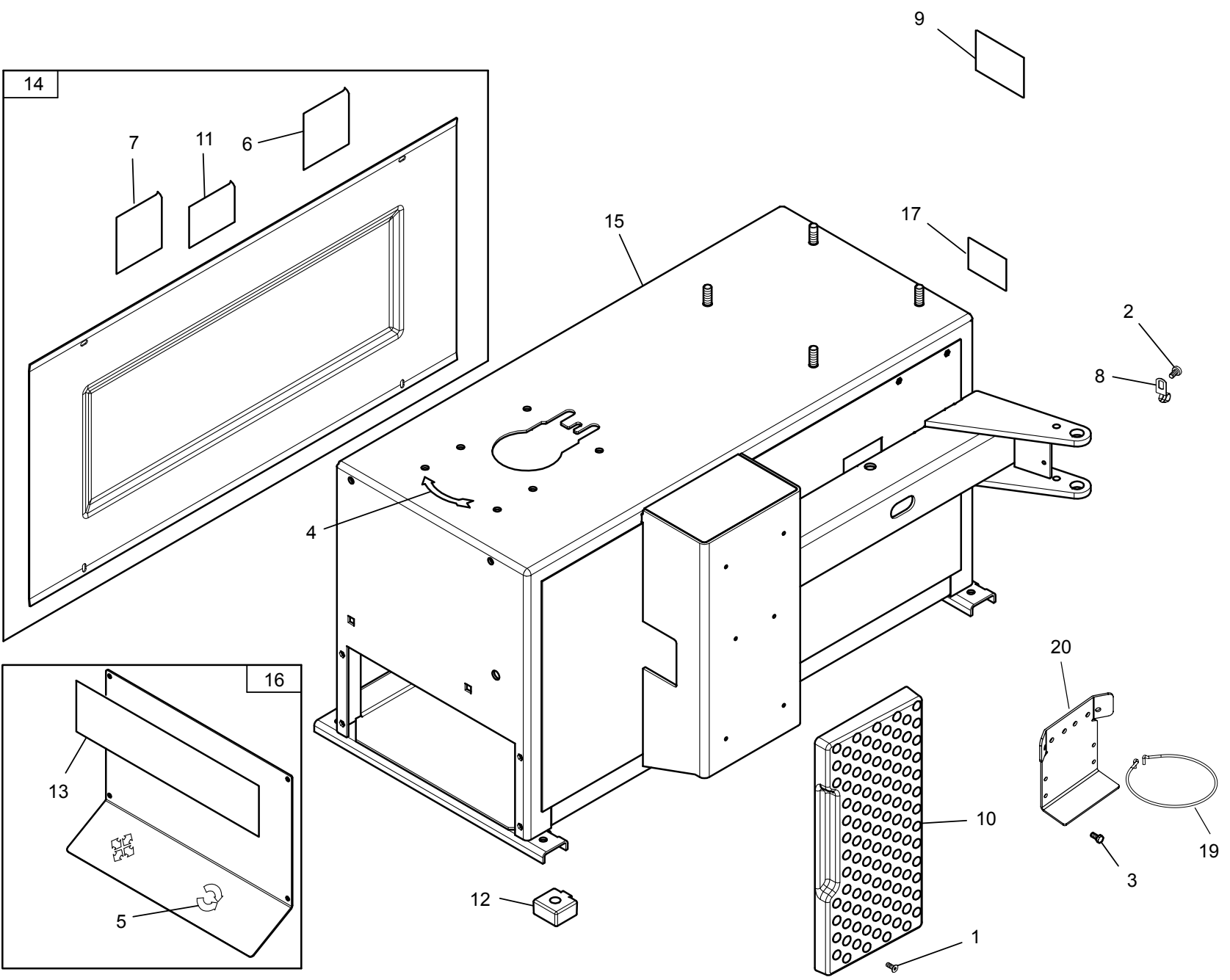
Part Number	Description
RP6-3784	Mounting Paste
RP11-5-490223	Plastic Shovel Protectors (4)
148-133-2	Lubrication Oil
RP6-1506	Applicator Brush
179-15-2	Safety Goggles
RP11-5-400900	BPR Bead Roller Column Mount
RP11-4-403067	Eccentric screw
RP11-3-03687	Tire paste (3.5kg)
RP11-5-400100	CRU Quick Disconnect Adaptor (Only)
RP11-2201655	Lever Protector Sleeve for Traditional Bead lever
RP11-8-11100425	Jaw Protectors (8 Pieces)
RP11-2201894	4" Clamping Jaw Extension (4 Pieces)
RP11-8-11400098	Plastic Bead Lever Protector Sleeve
RP11-8-11400103	AR24 Clamping Jaw Single (1 Piece)
RP6-0326	Lever Protector Sleeve for HM lever RP6-2663
RP11-5-400570	Standard Steel Mount Head
20-2036-1	Quick Change Shaft and Adaptor Kit (Includes:)
RP11-8-11400091	TCX500 QD Shaft and QD Adaptor Kit

CONTENTS

OVERALL	2
FRAME	3
BEAD BREAKER	4
TURNTABLE	5
COLUMN	6
SWINGING ARM LL VERSION	7
ACTUATING TOOL CYLINDER.....	8
MOUNT HEAD LL VERSION	9
GEARMOTOR	10
GEARMOTOR AIR VERSION.....	11
PEDAL SYSTEM	12
PEDAL SYSTEM AIR VERSION	13
ROTATING UNION.....	14
ROTATING UNION AIR VERSION	15
INFLATOR BOX.....	16
BPS COLUMN	17
BPS CONTROL ARM.....	18
BP (up to July 2019).....	19
BP (from August 2019)	20
PNEUMATIC DIAGRAM.....	21
PNEUMATIC DIAGRAM.....	22
BPS PNEUMATIC DIAGRAM	23
BP PNEUMATIC DIAGRAM	24
LL TOOL PNEUMATIC DIAGRAM	25
WIRE DIAGRAM	26

Recommended spare parts highlighted in bold

FRAME



RETURNS TO OVERALL

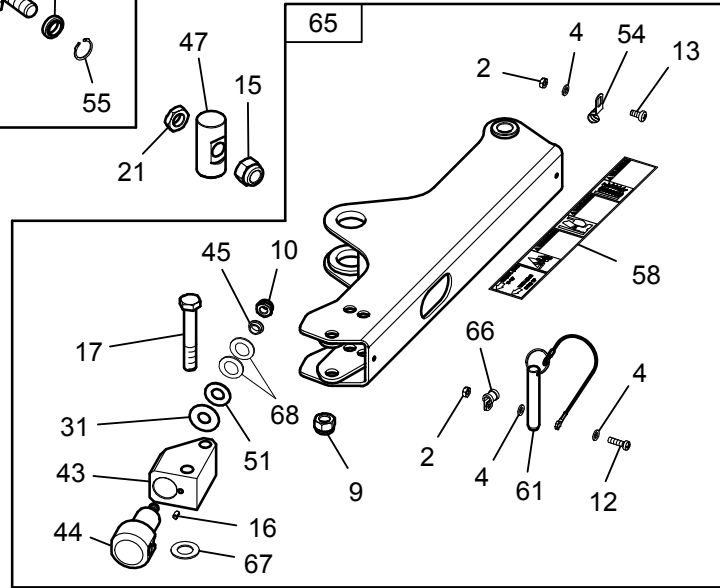
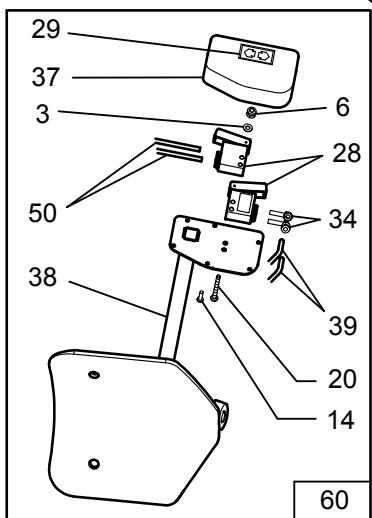
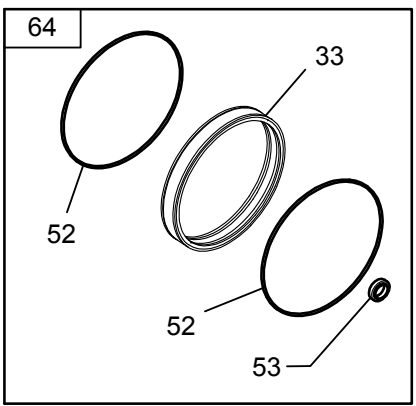
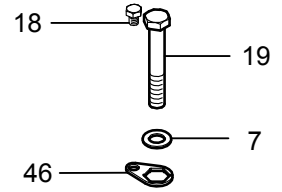
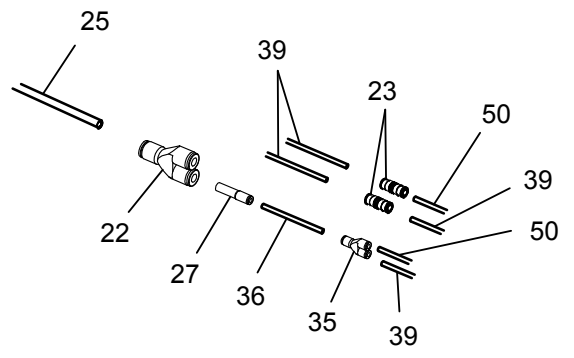
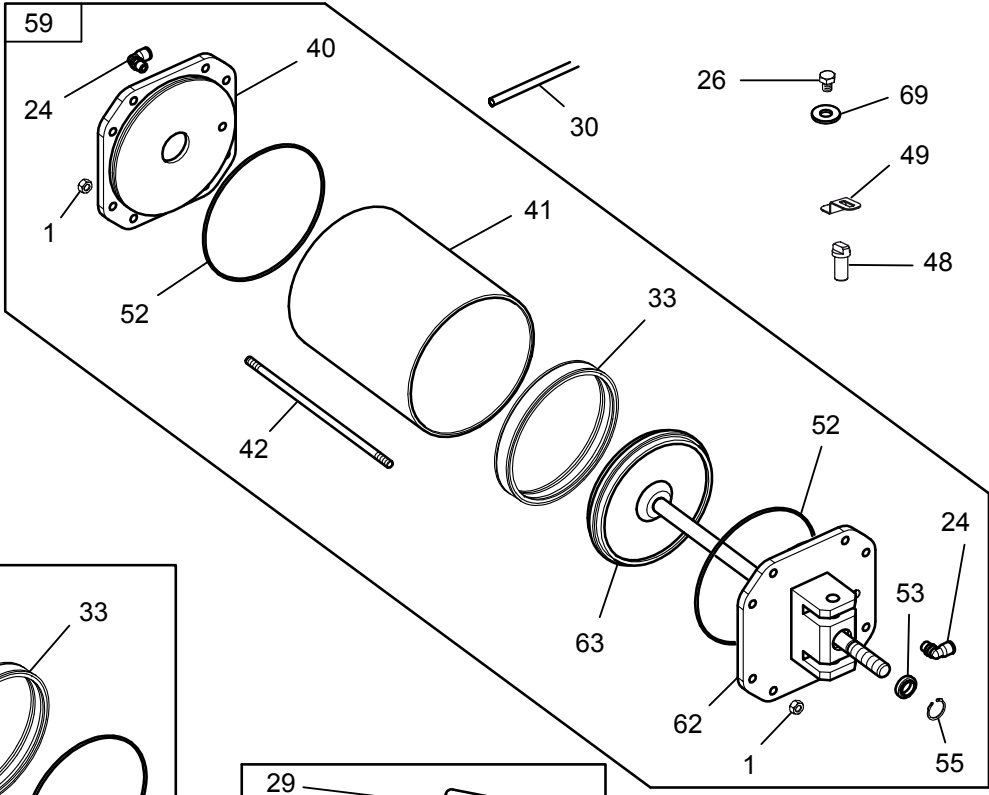
TCX50 Tire Changer
REFER TO NEXT SHEET FOR PARTS DESCRIPTION LISTING

Index No.	Part Number	Description
1	RP11-2-00711	SOCKET COUNTERSUNK SCREW M6X16
2	RP11-2-02755	CROSS PAN HEAD SCREW M6X12
3	RP11-2-02761	HEXAGON HEAD CAP SCREW M6X14
4	RP11-3020842	SENSE OF ROTATION ARROW
5	RP11-4-114193	PEDALS LABEL
6	RP11-4-115246	LABEL, WARNING ELECTRICAL HAZARD
7	RP11-4-136661	CAUTION LABEL, ELECTRIC SHOCK
8	RP11-4210088	HOSE CLAMP
9	RP11-4-136663	DECAL-WARNING SOCKET-OUTLET
10	RP11-4-401740	WHEEL SUPPORT

Index No.	Part Number	Description
11	RP11-4-402030	DECAL, GP PEDAL
12	RP11-4-406032	RUBBER FOOT H.25
13	RP11-4-130087	DECAL, HUNTER TCX50
14	RP11-5-106258	SIDE PANEL WITH LABEL
15	RP11-5-106259	BODY
16	RP11-5-106284	PEDAL COVER
17	RP11-4-136334	LABEL, ETL LISTING MARK
18	RP11-2-03607	HEXAGON FLANGE BOLTS M6X16
19	RP11-4-137592	TYRE PASTE CONTAINER SUPPORT
20	RP11-4-137591	RING HOLDER

BEAD BREAKER

RETURNS TO OVERALL






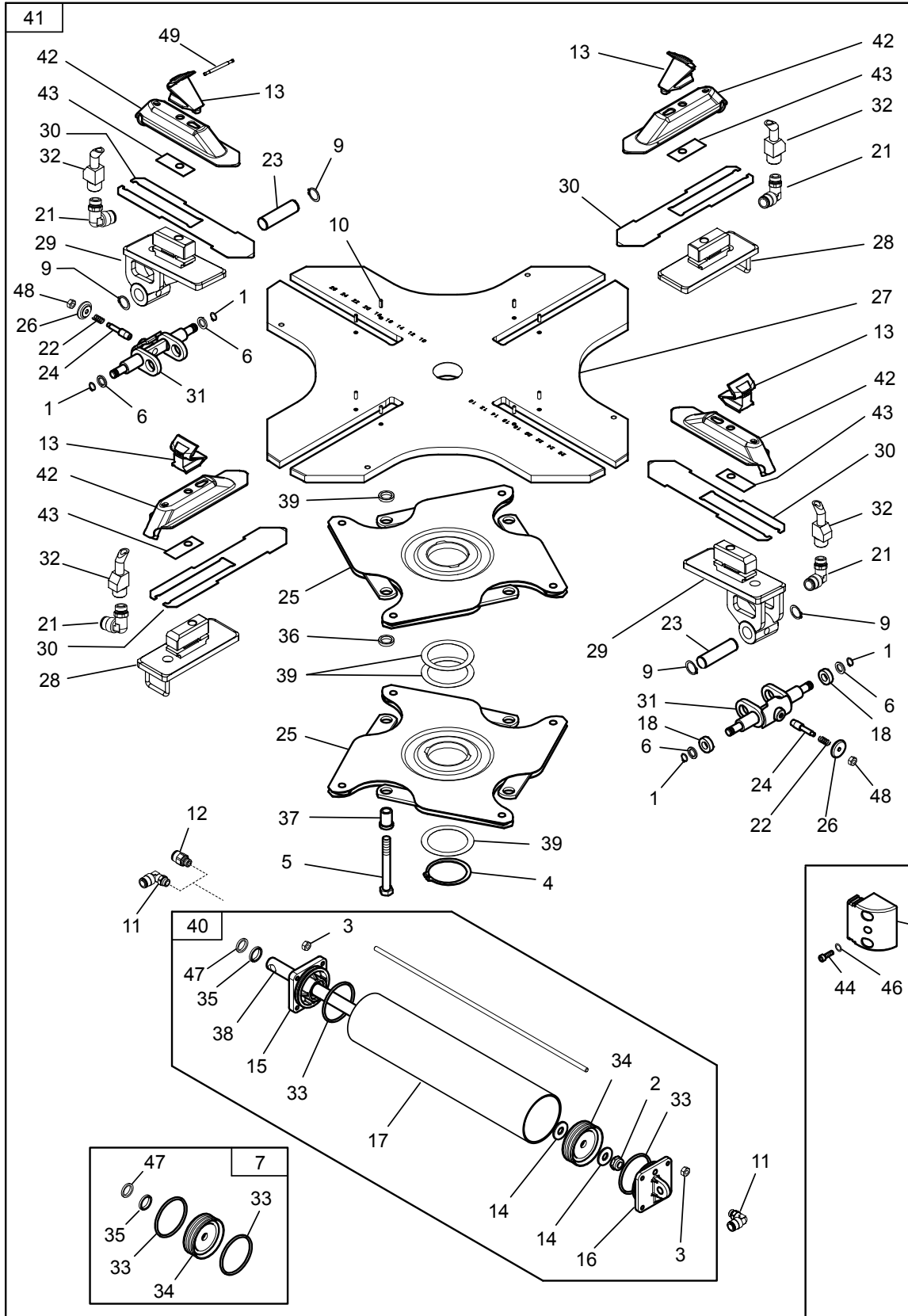
TCX50 Tire Changer
REFER TO NEXT SHEET FOR PARTS DESCRIPTION LISTING

Index No.	Part Number	Description
1	RP11-2-00152	NUT M10
2	RP11-2-00155	LOW NUT M6
3	RP11-2-00209	WASHER FOR HEX CAP SCREW M4
4	RP11-2-00211	WASHER FOR HEX CAP SCREW M6
5	RP11-2-00215	WASHER D.14
6	RP11-2-01018	NUT WITH POLYAMIDE RING M4
7	RP11-2-01038	WASHER FOR HEX CAP SCREW M20
8	RP11-2-01106	NUT WITH POLYAMIDE RING M14
9	RP11-2-01163	NUT WITH POLYAMIDE RING M16
10	RP11-2-01276	NUT WITH POLYAMIDE RING M12
11	RP11-2-01326	NUT WITH POLYAMIDE RING M20
12	RP11-2-02754	CROSS PAN HEAD SCREW M6X20
13	RP11-2-02755	CROSS PAN HEAD SCREW M6X12
14	RP11-2-71491	SELF-TAPPING SCREW D.3.5X12.7
15	RP11-2-71527	SELF-LOCKING NUT M 20X1,5
16	RP11-2-03774	PARALLEL PIN D.6X14 (from s/n ILE734887)
17	RP11-2-71925	HEXAGON HEAD CAP SCREW M16X100
18	RP11-2-80041	HEXAGON HEAD CAP SCREW M12X16
19	RP11-2-80058	HEXAGON HEAD CAP SCREW M20X130
20	RP11-2-02292	SOCKET HEAD CAP SCREW M4X40
21	RP11-2-91794	LOW NUT M20X1,5
22A	RP11-3-00025	TEE CONNECTOR T.8 (STD VERSION)
22B	RP11-3-03211	Y-MALE ADAPTOR T-10 (AIR VERSION)
23	RP11-3-00214	STRAIGHT CONNECTOR T.4
24	RP11-3-00517	ORIENTING ELBOW FITTING 1/4 10
25A	RP11-3005847	PNEUMATIC HOSE D.8-6 L=200
25B	RP11-4-118869	PNEUMATIC HOSE D.10-8 L=200 (AIR VERSION)
26	RP11-2-00371	HEXAGON HEAD CAP SCREW M8X10
27A	RP11-3-01177	STRAIGHT MALE ADAPTOR D8-T4
27B	RP11-3-90162	STRAIGHT MALE ADAPTOR D10-T4 (AIR VERSION)
28	RP11-3-01360	TASTE LEVER MICROVALVE 3/2 NC
29	RP11-3013640	DECAL, ARROWS UP-DOWN
30	RP11-3015796	RILSAN HOSE D.10-8 L.1100
31	RP11-3015976	WASHER D.16,5X40X1,5
32	RP11-3017251	WASHER 20X42X0,5
33	RP11-3-02042	GASKET D. 200

Index No.	Part Number	Description
34	RP11-3-02322	ELBOW FITTING C4 T4
35	RP11-3-02721	Y-MALE ADAPTOR T-4
36	RP11-3019706	RILSAN HOSE D.4-2 L.600
37	RP11-4-113613	COVER
38	RP11-4-113615	BLADE
39	RP11-4-113855	PNEUMATIC HOSE D.4-2 L=1400
40	RP11-4-116028	REAR FLANGE
41	RP11-4-117120	CASING FOR CYLINDER D.200
42	RP11-4-117122	TIE ROD
43	RP11-4-117933	BLADE SUPPORT
44	RP11-4-118086	BLADE HUB
45	RP11-4-118090	HUB SPACER
46	RP11-4-118128	ANTI-ROTATION PLATE
47	RP11-4-118133	SWINGING PIN
48	RP11-4-120756	FULCRUM PIN
49	RP11-4-120755	ANTIROTATION PLATE
50	RP11-4-118414	RILSAN HOSE D.4-2 L.1450
51	RP11-419177	CONICAL SPRING WASHER 16X34X2
52	RP11-419200	O-RING D.190.00X3
53	RP11-3-02726	SEAL
54	RP11-4210088	HOSE CLAMP
55	RP11-4300414	RETAINING RING FOR BORE D.30
56	RP11-4-400510	WASHER 14,5X35X0,3
57	RP11-4-401323	SHOVEL PIVOT
58	RP11-4-402023	DECAL WARNING BEAD BREAKER ARM
59	RP11-5-105637	CYLINDER D.200X20X200
60	RP11-5-106122	COMPLETE BLADE
61	RP11-5-106271	ROTATION LOCKING PIN
62	RP11-5-106310	FRONT FLANGE
63	RP11-5-106311	PISTON WITH SHAFT
64	RP11-5-106312	SET OF GASKETS
65	RP11-5-106314	BEAD-BREAKER ARM
66	RP11-3-10040	HOSE CLAMP
67	RP11-3008732	INTERNAL WASHER FOR BUSH
68	RP11-4-104696	WASHER 16X22X0,2
69	RP11-2-00212	WASHER FOR HEX CAP SCREW M8

TURNTABLE

- 20 — 
- 8 — 
- 19 — 

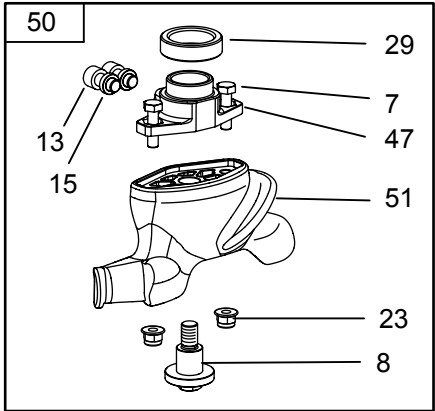
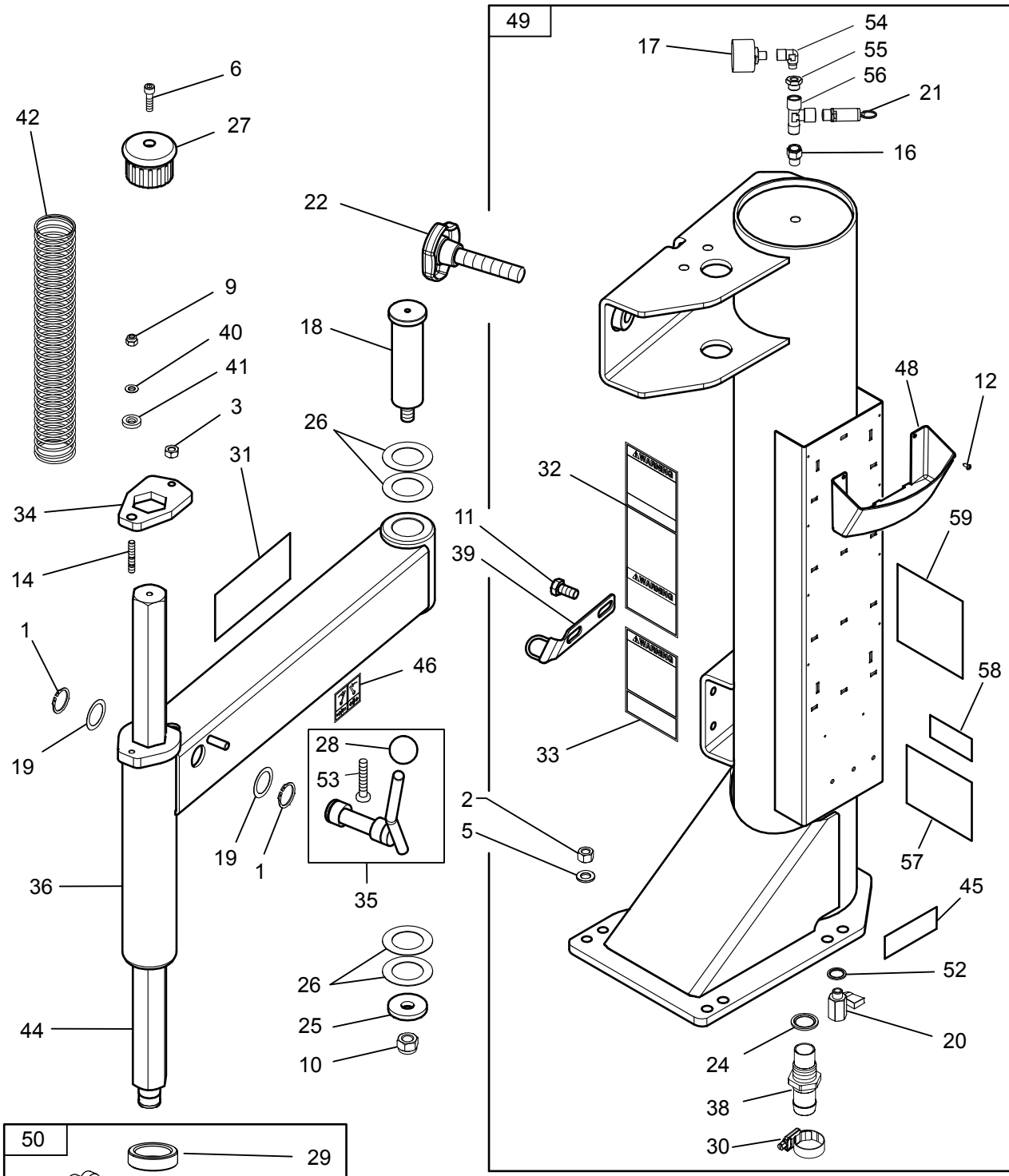


[RETURNS TO OVERALL](#)

Index No.	Part Number	Description
1	RP11-2-00025	RETAINING RING FOR SHAFT D.12
2	RP11-2-01276	NUT WITH POLYAMIDE RING M12
3	RP11-2-00150	NUT M6
4	RP11-2-01283	RETAINING RING FOR SHAFT D.65
5	RP11-2-03329	HEXAGON HEAD CAP SCREW M12X100
6	RP11-2-03354	WASHER FOR CHEESE SCREW M12
7	RP11-5-108471	SET OF GASKET CYLINDER D.70
8	RP11-2-01216	HEX. HEAD CAP SCREW M16X1,5X35
9	RP11-2-71587	RETAINING RING FOR SHAFT D.20
10	RP11-4-137023	PIN D.5.5X13.5
11	RP11-3-00049	ORIENTING ELBOW FITTING G1/8 T8
12	RP11-3-00464	D-FITTING G1/8G T8
13	RP11-4-135470	CLAMPING JAW
14	RP11-3010677	WASHER D. 12,5X30X3
15	RP11-5-108470	FRONT FLANGE (WITH GASKETS)
16	RP11-4-119854	CYLINDER REAR FLANGE D.70
17	RP11-4-137033	CASING CYLINDER D. 70
18	RP11-3093664	SPACER D.12.5X25X8
19	RP11-3094668	TURNTABLE WASHER
20	RP11-3308152	TURNTABLE CAP
21	RP11-3-00517	ORIENTING ELBOW FITTING 1/4 10
22	RP11-4-101422	SPRING 1.2X10X20
23	RP11-4-101442	PIVOT
24	RP11-5-124281	PIN WITH NUT
25	RP11-4-101651	CONTROL PLATE

Index No.	Part Number	Description
26	RP11-4-109834	HANDLE
27	RP11-4-117945	TURNTABLE 26"
28	RP11-4-137050	TOWED SLIDING GUIDE
29	RP11-4-137049	DRIVING SLIDING GUIDE
30	RP11-4-132347	COVER PLATE
31	RP11-4-119302	CRANK
32	RP11-4-101918	INFLATION NOZZLE
33	RP11-4209740	O-RING 4250
34	RP11-4217860	GASKET WITH FLANGE D.70
35	RP11-3-03704	LIPPED GASKET DIM 2028 DE 28 DI 20 H 3.5
36	RP11-437964	PLASTIC WASHER D.18X25X5
37	RP11-4-401733	BUSH D.12X18X24,5
38	RP11-4-137031	SHAFT FOR CYLINDER D.70
39	RP11-455082	WASHER D.65X85X0.4
40	RP11-4-137034	COMPLETE CYLINDER
41	RP11-5-122922	COMPLETE SELF-CENTERING CHUCK
42	RP11-4-101871	SLIDE
43	RP11-4-104399	SPACER FOR SLIDING GUIDE
44	RP11-2-00309	SOCKET HEAD CAP SCREW M6X16
45	RP11-4-119291	REAR CILYNDER COVER
46	RP11-3-00672	O-RING 3024(2,62X6,02)
47	RP11-3-03703	GASKET DAS DE 28 DI 20 H 3.5
48	RP11-2-01979	NUT WITH POLYAMIDE RING M6
49	RP11-4-137024	FIXING PIN FOR PROTECTION

COLUMN



[RETURNS TO OVERALL](#)

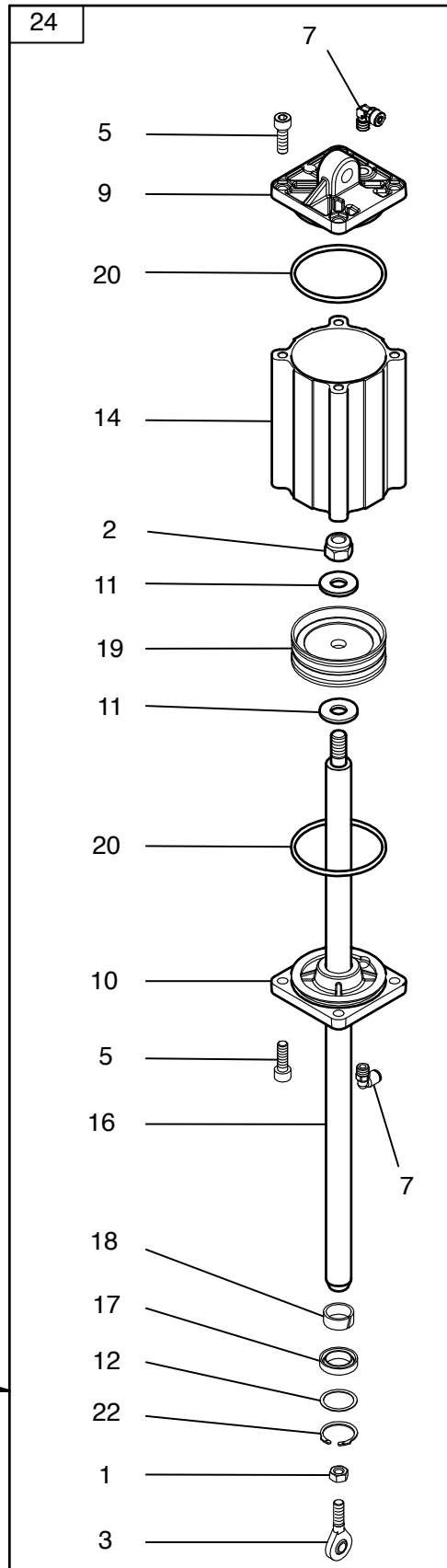
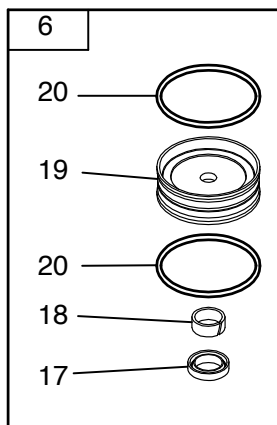
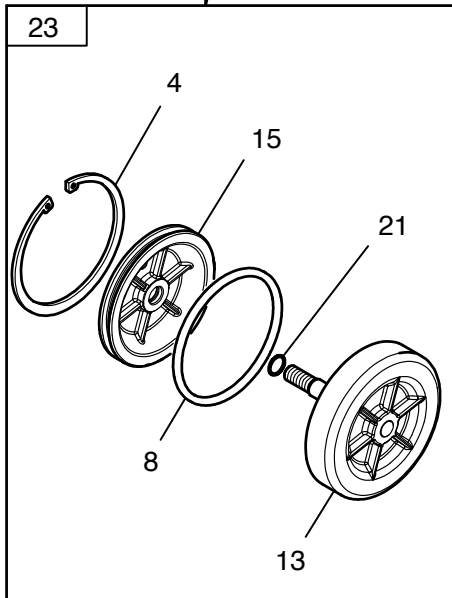
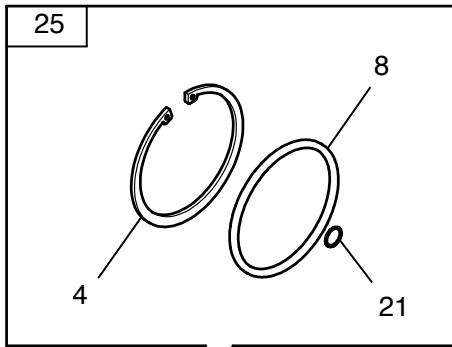
Index No.	Part Number	Description
1	RP11-2-00034	RETAINING RING FOR SHAFT D.30
2	RP11-2-00114	HIGH NUT M 12
3	RP11-2-00152	NUT M10
4	RP11-2-00212	WASHER D.8
5	RP11-2-00214	WASHER D.12
6	RP11-2-00322	SOCKET HEAD CAP SCREW M8X30
7	RP11-2-00375	HEXAGON HEAD CAP SCREW M8X30
8	RP11-4-137051	SPECIAL SCREW FOR TOOL-HEAD
9	RP11-2-01020	NUT WITH POLYAMIDE RING M8
10	RP11-2-01163	NUT WITH POLYAMIDE RING M16
11	RP11-2-01225	SCREW M 12X25
12	RP11-2-01321	SELF-TAPPING SCREW D.3,5X9,5
13	RP11-2-02586	SOCKET HEAD CAP SCREW M10X20
14	RP11-2-03364	MEDIUM END STUD M8X35
15	RP11-4-120130	SPACER H 4.5
16	RP11-3-00082	REDUCER G1/4 M-F
17	RP11-3-00488	PRESSURE GAUGE
18	RP11-3006516	SWINGING ARM PIN
19	RP11-3010434	WASHER 30.5X42X0.5
20	RP11-3-01569	BALL VALVE G.1/4 M-F
21	RP11-3-01573	SAFETY VALVE G1/4"
22	RP11-3-01577	KNURLED RIM KNOB
23	RP11-2-03365	NUT WITH FLANGE DIN6926 M8
24	RP11-3-02959	BONDED SEALS RG3/4
25	RP11-3094741	WASHER 16.5X50X8
26	RP11-3094764	WASHER 40.5X65X0.5
27	RP11-5-124618	Steel cap w/ screw
28	RP11-3305241	PLASTIC BALL KNOB D.14
29	RP11-3309545	MOUNTING HEAD SHOCK ABSORBER

Index No.	Part Number	Description
30	RP11-445516	HOSE CLAMP D.25-40
31	RP11-4-115243	WARNING LABEL
32	RP11-4-115244	LABEL, DANGER OPERATION
33	RP11-4-115245	LABEL, WARNING INDICATION
34	RP11-4-117899	VERTICAL LOCKING PLATE
35	RP11-5-107143	LOCKING SHAFT WITH SCREW
36	RP11-4-118108	SWINGING ARM
38	RP11-4-137160	HOSE CONNECTION 3/4" T1"
39	RP11-4-118834	INFLATING HOSE SUPPORT
40	RP11-4218947	SPHERICAL WASHER TYPE C D.8
41	RP11-4218948	CONICAL SEAT TYPE G D.8
42	RP11-4-400532	SPRING
44	RP11-4-401824	HEXAGONAL BAR
45	RP11-4-402027	DECAL, MAXIMUM INLET PRESSURE
46	RP11-4-402365	DECAL-INSTRUCTION BAR LEVER
47	RP11-4-404115	MOUNTING HEAD ADAPTOR
48	RP11-4-405292	TOOL STORAGE
49	RP11-5-106282	COLUMN WITH INTERNAL TANK
50	RP11-8-11400329	TPA-W FULL ASSEMBLY (FROM S/N INE757436)
51	RP11-8-11400327	TPA-W
52	RP11-86500153	BONDED SEALS RG1/4
53	RP11-4-120047	SPECIAL SCREW
54	RP11-3-00138	FEMALE ELBOW G1/8
55	RP11-3-00269	REDUCTION 1/4" M - 1/8" F
56	RP11-3-00286	PNEUMATIC CONNECTION
57	RP11-4-136662	DECAL-WARNING LUBRICANT OIL
58	RP11-4-136667	WARNING LABEL
59	RP11-4-136333	DECAL-WARNING INDICATION

Index No.	Part Number	Description
1	RP11-2-00034	RETAINING RING FOR SHAFT D.30
2	RP11-2-00152	NUT M10
3	RP11-2-00153	NUT M12
4	RP11-2-00156	LOW NUT M8
5	RP11-2-00210	WASHER FOR HEX CAP SCREW M5
6	RP11-2-00214	WASHER D.12
7	RP11-2-00372	HEXAGON HEAD CAP SCREW M8X16
8	RP11-2-00721	HEXAGON HEAD CAP SCREW M5X14
9	RP11-2-00995	SCREW M 5X8
10	RP11-2-01018	NUT WITH POLYAMIDE RING M4
11	RP11-2-01020	NUT WITH POLYAMIDE RING M8
12	RP11-2-01097	SPRING PIN D.5X24
13	RP11-2-01163	NUT WITH POLYAMIDE RING M16
14	RP11-2-01252	HEXAGON HEAD CAP SCREW M4X35
15	RP11-2-02281	SPLIT RING D. 6X26
16	RP11-2-02301	SOCKET HEAD CAP SCREW M8X25
17	RP11-2-02362	CROSS PAN HEAD SCREW M6X10
18	RP11-2-02637	SOCKET COUNTERSUNK SCREW M4X25
19	RP11-2-02685	SOCKET SET SCREW M14X16
20	RP11-2-02820	HIGH NUT M14
21	RP11-2-02832	SOCKET HEAD CAP SCREW M12X25
22	RP11-2-02883	SELF-LOCKING LOW NUT M4
23	RP11-2-03240	WASHER DIN6319 D.19
24	RP11-2-03364	MEDIUM END STUD M8X35
25	RP11-2-03552	HEXAGON HEAD CAP SCREW M12X45
26	RP11-2-03687	WASHER DIN6319 D.19-30
27	RP11-2-03686	SOCKET SET SCREW M14X45
28	RP11-5-120332	COMPLETE DISTRIBUTION FRAME
29	RP11-2-71393	HEXAGON HEAD CAP SCREW M4X40
30	RP11-2-72012	SOCKET SET SCREW M12X25
31	RP11-2-91660	SELF TAPPING SCREW D.4,8X9,8
32	RP11-3-00056	ORIENTING ELBOW FITTING 1/8 T4
33	RP11-3-00057	ORIENTING ELBOW FITTING 1/8 T6
34	RP11-3-00181	SILENCER G.1/8
35	RP11-3-00198	MALE PLUG G1/8
36	RP11-3-00475	QUICK UNION 1/8" 4-2
37	RP11-3-00476	STRAIGHT MALE ADAPTOR G1/8 T.6
38	RP11-3-00700	NORD-LOCK NL8 WASHER
39	RP11-3007126	RILSAN HOSE D.6-4 L.1000
40	RP11-3010434	WASHER 30.5X42X0.5
41	RP11-3011973	RILSAN HOSE D.6-4 L.2200
42	RP11-3016732	RILSAN HOSE D.4-2 L.180
43	RP11-3-02148	SHOCK ABSORBER D. 23X16 M 6X12
44	RP11-3-02322	ELBOW FITTING C4 T4
45	RP11-3-02403	VALVE
46	RP11-3-03051	PNEUMATIC VALVE 5/2 1/8"

Index No.	Part Number	Description
47	RP11-5-402007	CYLINDER D.75X20X83
48	RP11-3-03282	PNEUMATIC VALVE 3/2NO D.4
49	RP11-3-03283	PNEUMATIC VALVE 3/2NO D.4
50	RP11-3093959	RILSAN HOSE D.6-4 L. 800
51	RP11-3094741	WASHER 16.5X50X8
52	RP11-3094764	WASHER 40.5X65X0.5
53	RP11-3305241	PLASTIC BALL KNOB D.14
54	RP11-4-103906	SPECIAL SCREW D.12X20 M10
55	RP11-4-107211	MOUNTING HEAD FIXING WASHER
56	RP11-4-113552	TL TOOL LABEL
57	RP11-4-114083	VALVE HOLDER
58	RP11-4-114085	BRAKING CLAMP
59	RP11-4-114086	CYLINDER'S SHIM
60	RP11-4-120574	ANTIROTATION PLATE
61	RP11-4-114090	SHAFT
62	RP11-4-115243	WARNING LABEL
63	RP11-4-117899	VERTICAL LOCKING PLATE
64	RP11-4-118164	ADJUSTING SCREW
65	RP11-4-118815	SWINGING ARM
66	RP11-4-118847	DOUBLE POSITION SHAFT
67	RP11-4-118848	HANDLE LEVER
68	RP11-4-118867	DISTRIBUTION FRAME
69	RP11-4-118868	VALVE'S SHIM
70	RP11-4-118872	VALVE'S SHIM
71	RP11-4-118944	VALVE'S HOLDER
72	RP11-4-130607	POLYURETHAN HOSE T6-4 L110
73	RP11-4-130608	RILSAN HOSE D.4-2 L.230
74	RP11-4-130609	RILSAN HOSE D.4-2 L.200
75	RP11-4-130610	RILSAN HOSE D.4-2 L.130
76	RP11-4-130692	PROTECTION COVER
77	RP11-9350197	MOUNTING HEAD FIXING SCREW
78	RP11-4218947	SPHERICAL WASHER TYPE C D.8
79	RP11-4218948	CONICAL SEAT TYPE G D.8
80	RP11-4-402365	DECAL-INSTRUCTION BAR LEVER
81	RP11-4-406918	CYLINDER FIXING PLATE
82	RP11-4-407099	LABEL, TOOL MOVEMENT
83	RP11-4-407304	HEXAGONAL BAR LL
84	RP11-4-407305	SPRING
85	RP11-4-407455	MOUNTING HEAD SHOCK ABSORBER
86	RP11-444613	O-RING 6150 (D.37.47X5.34)
87	RP11-5-104621	CYLINDER BRAKE
88	RP11-5-104626	QUICK EXHAUST VALVE
89	RP11-5-121452	COMPLETE HEAD (3rd VERSION)
90	RP11-5-120331	COMPLETE VALVE
91	RP11-2-00213	WASHER FOR HEX CAP SCREW M10
92	RP11-2-00381	HEXAGON HEX CAP SCREW M10X35

ACTUATING TOOL CYLINDER LL VERSION

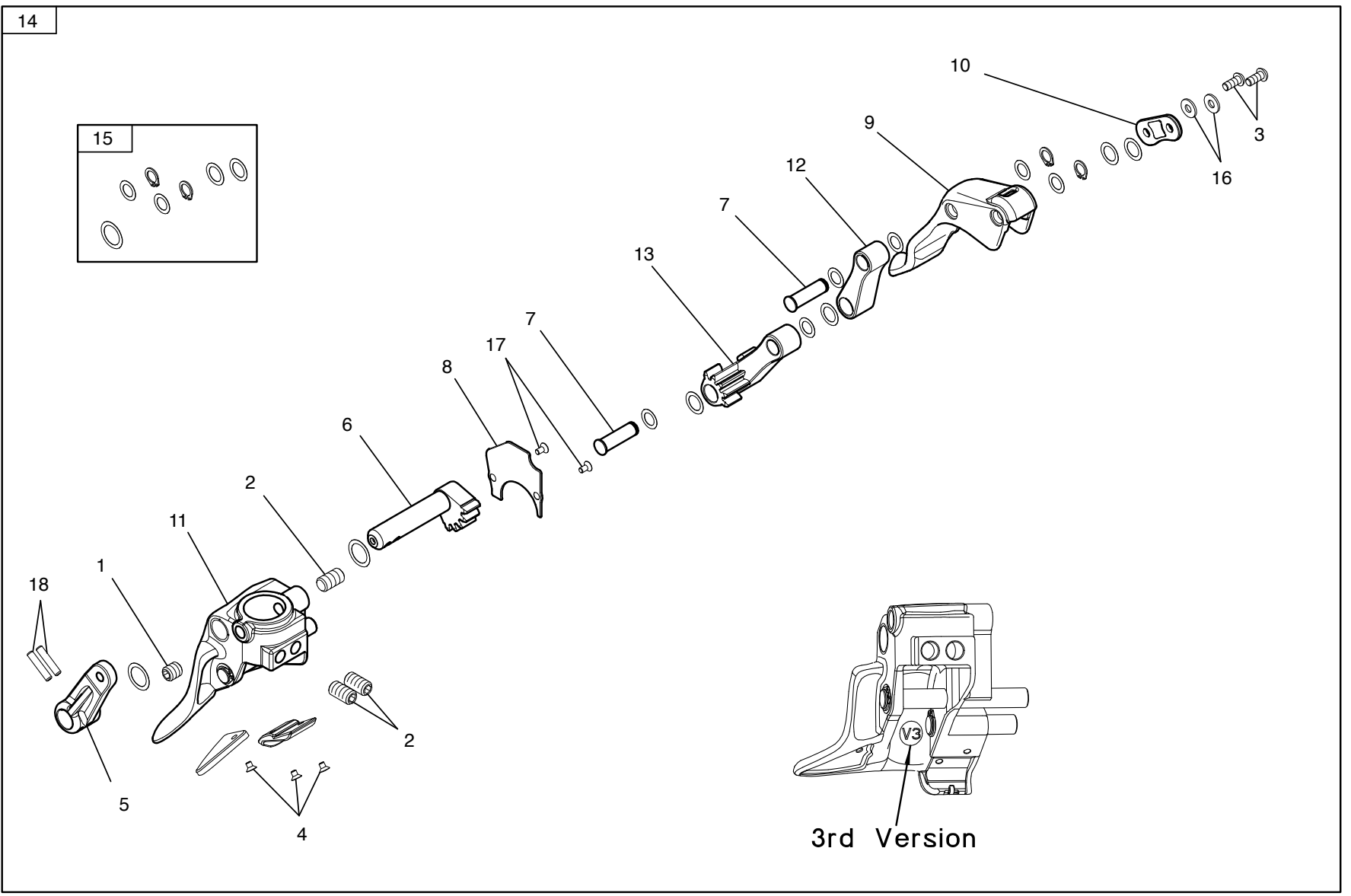


[RETURNS TO OVERALL](#)

Index No.	Part Number	Description
1	RP11-2-00723	NUT M8
2	RP11-2-01021	NUT WITH POLYAMIDE RING M12
3	RP11-2-03391	BEARING
4	RP11-2-03635	RETAINING RING FOR BORE D.130
5	RP11-2-94024	SOCKET HEAD CAP SCREW M8X25
6	RP11-2200600	SET OF GASKET CYLINDER D.75
7	RP11-3-00057	ORIENTING ELBOW FITTING 1/8 T6
8	RP11-3-03202	O-RING 8462 (7X116.84)
9	RP11-3009563	CYLINDER REAR FLANGE D.75
10	RP11-3009907	FRONT FLANGE FOR CYLINDER D.75
11	RP11-3010677	WASHER D. 12,5X30X3
12	RP11-3010912	WASHER 24X29,5X0,5
13	RP11-4-114114	CASING WITH SHAFT

Index No.	Part Number	Description
14	RP11-4-406407	CASING FOR CYLINDER D.75
15	RP11-4-406921	PISTON D.130
16	RP11-4-407303	SHAFT D.20
17	RP11-4206114	LIPPED GASKET NSW 20-30-6
18	RP11-4206523	WEAR RING FOR ROD WRI-20
19	RP11-4208231	GASKET WITH FLANGE D.75
20	RP11-4209564	O-RING 171 (3,53X68,26)
21	RP11-4215293	O-RING 2-114 (2,62X15,54)
22	RP11-4300414	RETAINING RING FOR BORE D.30
23	RP11-5-104621	CYLINDER BRAKE
24	RP11-5-402007	CYLINDER D.75X20X83
25	RP11-5-491195	SET OF GASKET CYLINDER D.130

MOUNT HEAD LL VERSION



RETURNS TO OVERALL

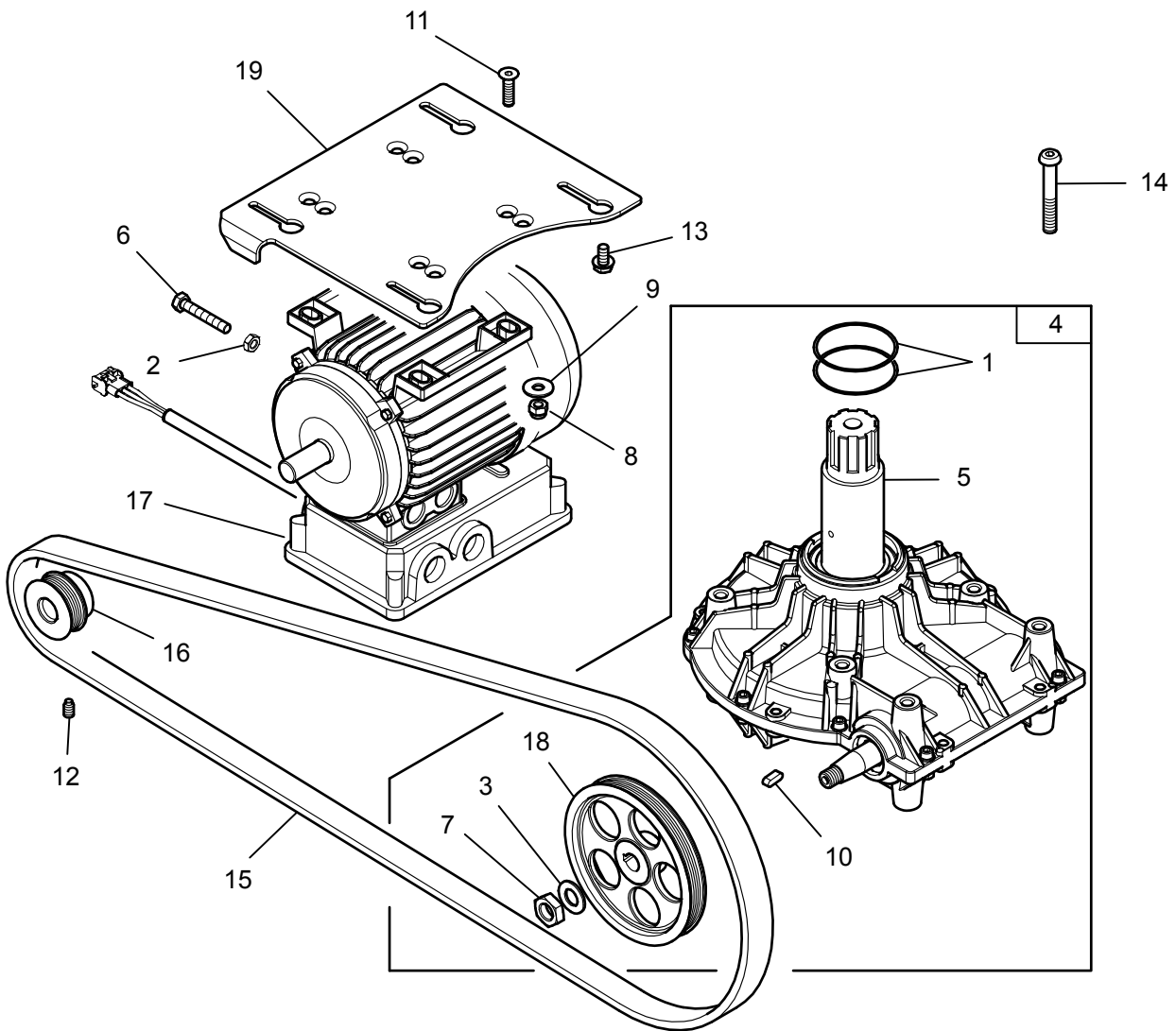
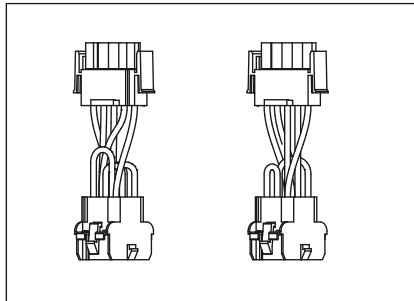
TCX50 Tire Changer
REFER TO NEXT SHEET FOR PARTS DESCRIPTION LISTING

Index No.	Part Number	Description
1	RP11-2-01040	SOCKET SET SCREW M12X12
2	RP11-2-02096	SOCKET SET SCREW M12X20
3	RP11-2-03409	SCREW M6X14
4	RP11-2-03438	SOCKET COUNTERSUNK SCREW M4X6
5	RP11-4-103256	LEVER
6	RP11-4-103264	GEAR
7	RP11-4-103932	PIN
8	RP11-4-106610	GEAR COVER
9	RP11-4-133384	LEVERLESS HOOK (3rd VERSION)

Index No.	Part Number	Description
10	RP11-4-115080	STIFFENING
11	RP11-4-133381	HEAD WITH PINS (3rd VERSION)
12	RP11-5-101265	TRACE
13	RP11-5-104772	TRACE
14	RP11-5-121452	COMPLETE HEAD (3rd VERSION)
15	RP11-5-105825	SHIM AND SPRING RING KIT
16	RP11-453469	SHIM WASHER 6.3X14.8X1.5
17	RP11-2-72205	SOCKET COUNTERSUNK SCREW M4X8
18	RP11-2-03737	PIN D.5X24

GEARMOTOR

VERSION PRODUCED FROM S/N IOD765471



[RETURNS TO OVERALL](#)

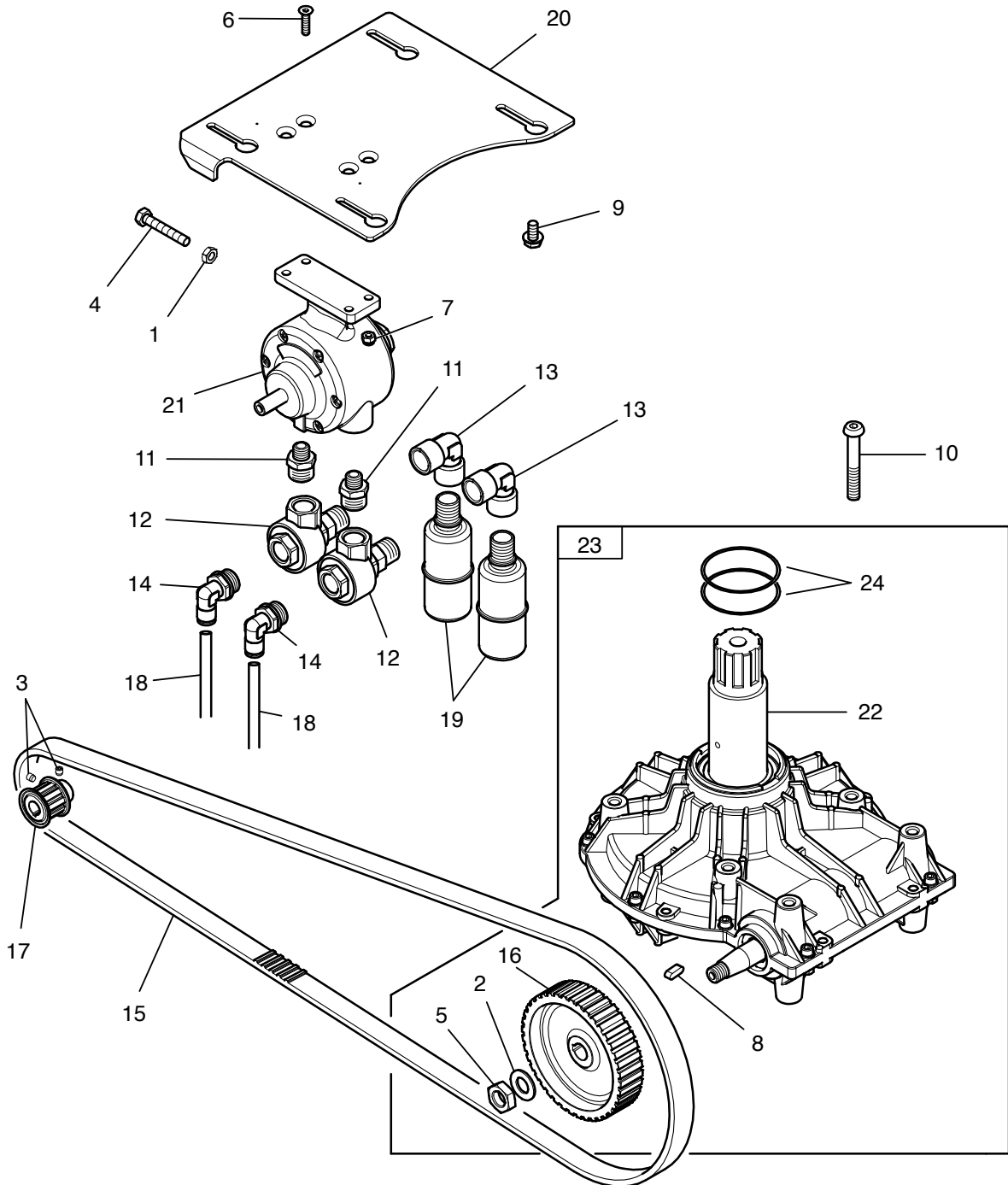
TCX50 Tire Changer

REFER TO NEXT SHEET FOR PARTS DESCRIPTION LISTING

Index No.	Part Number	Description
1	RP11-4293771	O-RING 153 (3.53x49.21)
2	RP11-2-00156	LOW NUT M8
3	RP11-2-00215	WASHER D.14
4	RP11-5-120615	COMPLETE GEARBOX WITH PULLEY
5	RP11-5-120648	GEARBOX WITH O-RING
6	RP11-2-00868	HEXAGON HEAD CAP SCREW M8X50
7	RP11-2-00941	HEXAGON THIN NUT M14
8	RP11-2-01020	NUT WITH POLYAMIDE RING M8
9	RP11-2-01299	WASHER D.9X24X2
10	RP11-2-01950	PARALLEL KEY 6X6X18

Index No.	Part Number	Description
11	RP11-2-02032	SOCKET COUNTERSUNK SCREW M8X30
12	RP11-2-02561	SOCKET SET SCREW M8X14
13	RP11-2-03532	HEXAGON FLANGE BOLTS M8X20
14	RP11-4-132694	SPECIAL SCREW M10X65
15	RP11-3-01576	POLY-V BELT J6-914
16	RP11-4-406208	MOTOR PULLEY 6-12 RPM
17	RP11-3-03539	ELECTRIC MOTOR 1PH 115V 0.75KW 60HZ
18	RP11-4-400514	GEARBOX PULLEY 6J
19	RP11-4-117876	MOTOR SUPPORT PLATE
20	RP11-5-107747	110/220 INTERFACE

GEARMOTOR AIR VERSION



[RETURNS TO OVERALL](#)

TCX50 Tire Changer

REFER TO NEXT SHEET FOR PARTS DESCRIPTION LISTING

Index No.	Part Number	Description
1	RP11-2-00156	LOW NUT M8
2	RP11-2-00215	WASHER D.14
3	RP11-2-00801	SOCKET SET SCREW M6X6
4	RP11-2-00868	HEXAGON HEAD CAP SCREW M8X50
5	RP11-2-00941	HEXAGON THIN NUT M14
6	RP11-2-01067	SOCKET COUNTERSUNK SCREW M6X25
7	RP11-2-01257	NUT WITH POLYAMIDE RING M6
8	RP11-2-01950	PARALLEL KEY 6X6X18
9	RP11-2-03532	HEXAGON FLANGE BOLTS M8X20
10	RP11-4-132694	SPECIAL SCREW M10X70
11	RP11-3-03330	NIPPLE 1/4 NPT 1/2 NPT
12	RP11-5-107048	VALVE 1/2" NPT

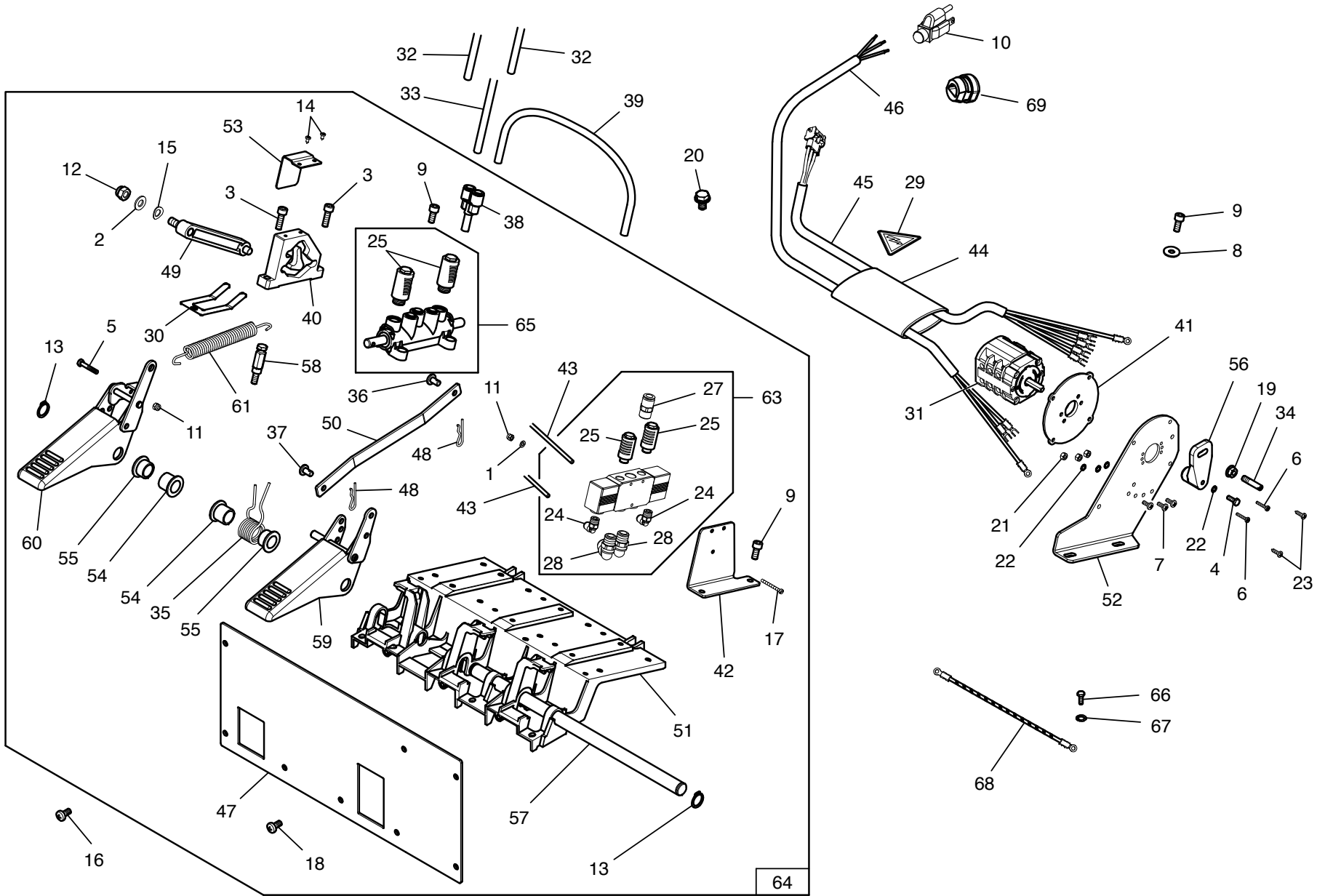
Index No.	Part Number	Description
13	RP11-3-00098	ELBOW FITTING 1/2"
14	RP11-3-03332	ORIENTING ELBOW FITTING 1/2 NPT T 10
15	RP11-3-01704	TOOTH BELT 367 L075
16	RP11-3017563	GEARBOX PULLEY Z40 L075
17	RP11-3017564	MOTOR PULLEY Z10 L075
18	RP11-3020873	RILSAN HOSE D.10-8 L.700
19	RP11-3-03333	AIR MOTOR SILENCER 1/2" NPT
20	RP11-4-118860	MOTOR SUPPORT PLATE
21	RP11-4215760	MOTOR GAST
22	RP11-5-120648	GEARBOX WITH O-RING
23	RP11-5-120616	COMPLETE GEARBOX WITH PULLEY
24	RP11-4293771	O-RING 153 (3.53x49.21)

PEDAL SYSTEM

RETURNS TO OVERALL

TCX50 Tire Changer

REFER TO NEXT SHEET FOR PARTS DESCRIPTION LISTING



64

Index No.	Part Number	Description
1	RP11-2-00209	WASHER FOR HEX CAP SCREW M4
2	RP11-2-00212	WASHER D.8
3	RP11-2-00310	SOCKET HEAD CAP SCREW M6X20
4	RP11-2-00349	HEXAGON HEAD CAP SCREW M4X12
5	RP11-2-00397	HEXAGON HEAD CAP SCREW M4X25
6	RP11-2-00575	CROSS PAN HEAD SCREW M3X16
7	RP11-2-00790	CROSS PAN HEAD SCREW M4X10
8	RP11-2-00679	WASHER D.6X18X1,5
9	RP11-2-00728	SOCKET HEAD CAP SCREW M6X14
10A	42-36-2	L6-20P PLUG (220V)
10B	42-46-2	5-15P PLUG (110V)
11	RP11-2-01018	NUT WITH POLYAMIDE RING M4
12	RP11-2-01020	NUT WITH POLYAMIDE RING M8
13	RP11-2-01122	RETAINING RING FOR SHAFT D.15
14	RP11-2-01272	SELF-TAPPING SCREW D.2,9X9,5
15	RP11-2-02248	UNDULATED SPRING WASHER D.8
16	RP11-2-03607	HEXAGON FLANGE BOLTS M6X16
17	RP11-2-02831	SOCKET HEAD CAP SCREW M4X35
18	RP11-2-04020	HEXAGON FLANGE BOLTS M6X12
19	RP11-2-02795	NUT WITH FLANGE ISO4161 M6
20	RP11-2-03532	HEXAGON FLANGE BOLTS M8X20
21	RP11-2-71506	NUT M4
22	RP11-2-71541	TOOTH WASHER D.4
23	RP11-2-91662	SELF-TAPPING SCREW D.4,8X13
24	RP11-3-00056	ORIENTING ELBOW FITTING 1/8 T4
25	RP11-3-00182	SILENCER G.1/4
27	RP11-3-00478	STRAIGHT MALE ADAPTOR G1/4 T.8
28	RP11-3-00517	ORIENTING ELBOW FITTING 1/4 10
29	RP11-3005912	REVERSE LABEL
30	RP11-3006149	FORK LEAF SPRING
31	RP11-3-03334	REVERSE SWITCH (includes 29 & 44)
32	RP11-3009007	RILSAN HOSE D.8-6 L.1300
33	RP11-3005167	RILSAN HOSE D.8-6 L.1100
34	RP11-3010107	SCREW FOR ROTATING UNION

Index No.	Part Number	Description
35	RP11-3019594	HELICAL TORSION SPRING
36	RP11-3020175	LONG PIN FOR PEDAL SYSTEM
37	RP11-3020176	SHORT PIN FOR PEDAL SYSTEM
38	RP11-3-02192	Y MALE ADAPTOR C8-T8
39	RP11-3093866	RILSAN HOSE D.8-6 L.400
40	RP11-3306148	TRIP CAM
41	RP11-3311196	REVERSING SWITCHES GASKET
42	RP11-4-113618	VALVE HOLDER
43	RP11-4-113855	PNEUMATIC HOSE D.4-2 L=1400
44	RP11-4-114020	SHRINK WRAP
45	RP11-4-121631	REVERSING SWITCH CABLE
46	RP11-4-136665	FEEDING CABLE 1PH 110V(UL approved supply cable)
47	RP11-4-118186	FRONT PANEL
48	RP11-4300179	HAIR PIN
49	RP11-4-403659	CAM CONNECTING ROD
50	RP11-4-403672	REVERSE SWITCH CONNECTING ROD
51	RP11-4-403686	PEDAL BASE
52	RP11-4-403689	SWITCH SUPPORT
53	RP11-4-403693	CONNECTING ROD GUIDE BRACKET
54	RP11-4-403702	SPRING BUSH H.18
55	RP11-4-403703	SPRING BUSH H.13
56	RP11-4-403721	SWITCH LEVER
57	RP11-4-403733	PEDAL PIN
58	RP11-4-403734	SPECIAL SCREW
59	RP11-4-403735	PEDAL
60	RP11-4-403777	RIGHT PEDAL
61	RP11-4-403790	TENSION SPRING
63	RP11-5-107052	COMPLETE VALVE
64	RP11-5-120001	COMPLETE PEDALS SYSTEM
65	RP11-5-400952	COMPLETE LEFT VALVE T.8
66	RP11-2-00359	HEXAGON HEAD CAP SCREW M6X10
67	RP11-2-71544	TOOTH WASHER D.6
68	RP11-2120087	GROUND CABLE
69	RP11-84990002	CABLE HOLDER

Index No.	Part Number	Description
1	RP11-2-00209	WASHER FOR HEX CAP SCREW M4
2	RP11-2-00212	WASHER D.8
3	RP11-2-00310	SOCKET HEAD CAP SCREW M6X20
4	RP11-2-00397	HEXAGON HEAD CAP SCREW M4X25
5	RP11-2-00728	SOCKET HEAD CAP SCREW M6X14
6	RP11-2-01017	NUT WITH POLYAMIDE RING M3
7	RP11-2-01018	NUT WITH POLYAMIDE RING M4
8	RP11-2-01020	NUT WITH POLYAMIDE RING M8
9	RP11-2-01122	RETAINING RING FOR SHAFT D.15
10	RP11-2-01272	SELF-TAPPING SCREW D.2,9X9,5
11	RP11-2-02248	UNDULATED SPRING WASHER D.8
12	RP11-2-03607	HEXAGON FLANGE BOLTS M6X16
13	RP11-2-02831	SOCKET HEAD CAP SCREW M4X35
14	RP11-2-04020	HEXAGON FLANGE BOLTS M6X12
15	RP11-2-03532	HEXAGON FLANGE BOLTS M8X20
16	RP11-3-00056	ORIENTING ELBOW FITTING 1/8 T4
17	RP11-3-00182	SILENCER G.1/4
19	RP11-3-00478	STRAIGHT MALE ADAPTOR G1/4 T.8
20	RP11-3-00517	ORIENTING ELBOW FITTING 1/4 10
21	RP11-3006149	FORK LEAF SPRING
22	RP11-3009007	RILSAN HOSE D.8-6 L.1300
23	RP11-3009182	RILSAN HOSE D.8-6 L.240
24	RP11-3019595	HELICAL TORSION SPRING

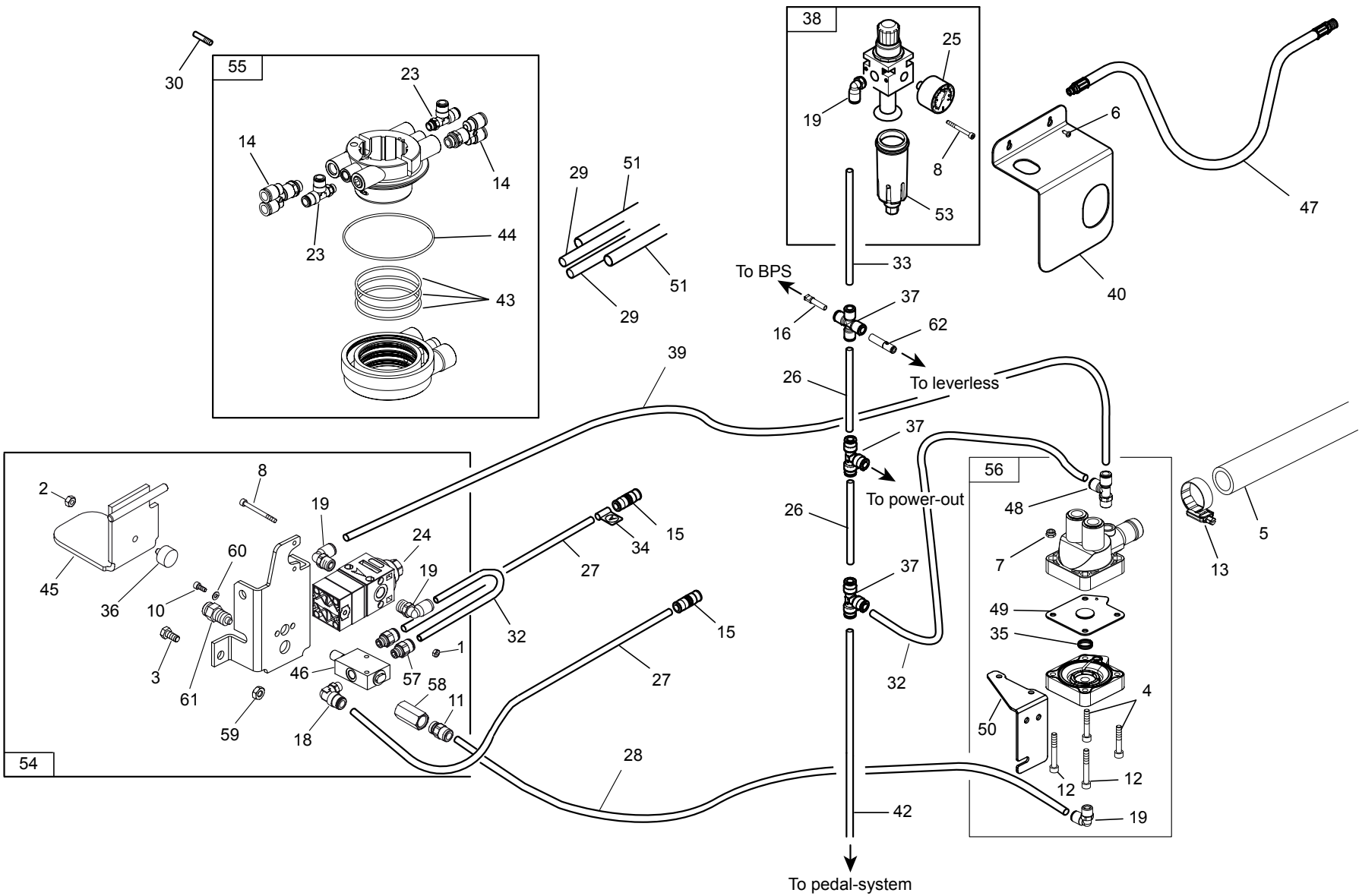
Index No.	Part Number	Description
25	RP11-3020873	RILSAN HOSE D.10-8 L.700
26	RP11-3-02192	Y MALE ADAPTOR C8-T8
27	RP11-3306148	TRIP CAM
28	RP11-3-90021	MALE ADAPTOR C8-T10
29	RP11-4-113618	VALVE HOLDER
30	RP11-4-113822	RILSAN HOSE D.4-2 L.1800
31	RP11-4-118186	FRONT PANEL
32	RP11-4-402449	RILSAN HOSE D.10-8 L.1200
33	RP11-4-403659	CAM CONNECTING ROD
34	RP11-4-403686	PEDAL BASE
35	RP11-4-403693	CONNECTING ROD GUIDE BRACKET
36	RP11-4-403702	SPRING BUSH H.18
37	RP11-4-403703	SPRING BUSH H.13
38	RP11-4-403733	PEDAL PIN
39	RP11-4-403734	SPECIAL SCREW
40	RP11-4-403739	AIR MOTOR PEDAL
41	RP11-4-403777	RIGHT PEDAL
42	RP11-4-403790	TENSION SPRING
43	RP11-5-107052	COMPLETE VALVE
44	RP11-5-120002	COMPLETE PEDALS SYSTEM
45	RP11-5-400952	COMPLETE LEFT VALVE T.8
46	RP11-5-400996	AIR MOTOR VALVE

ROTATING UNION

RETURNS TO OVERALL

TCX50 Tire Changer

REFER TO NEXT SHEET FOR PARTS DESCRIPTION LISTING



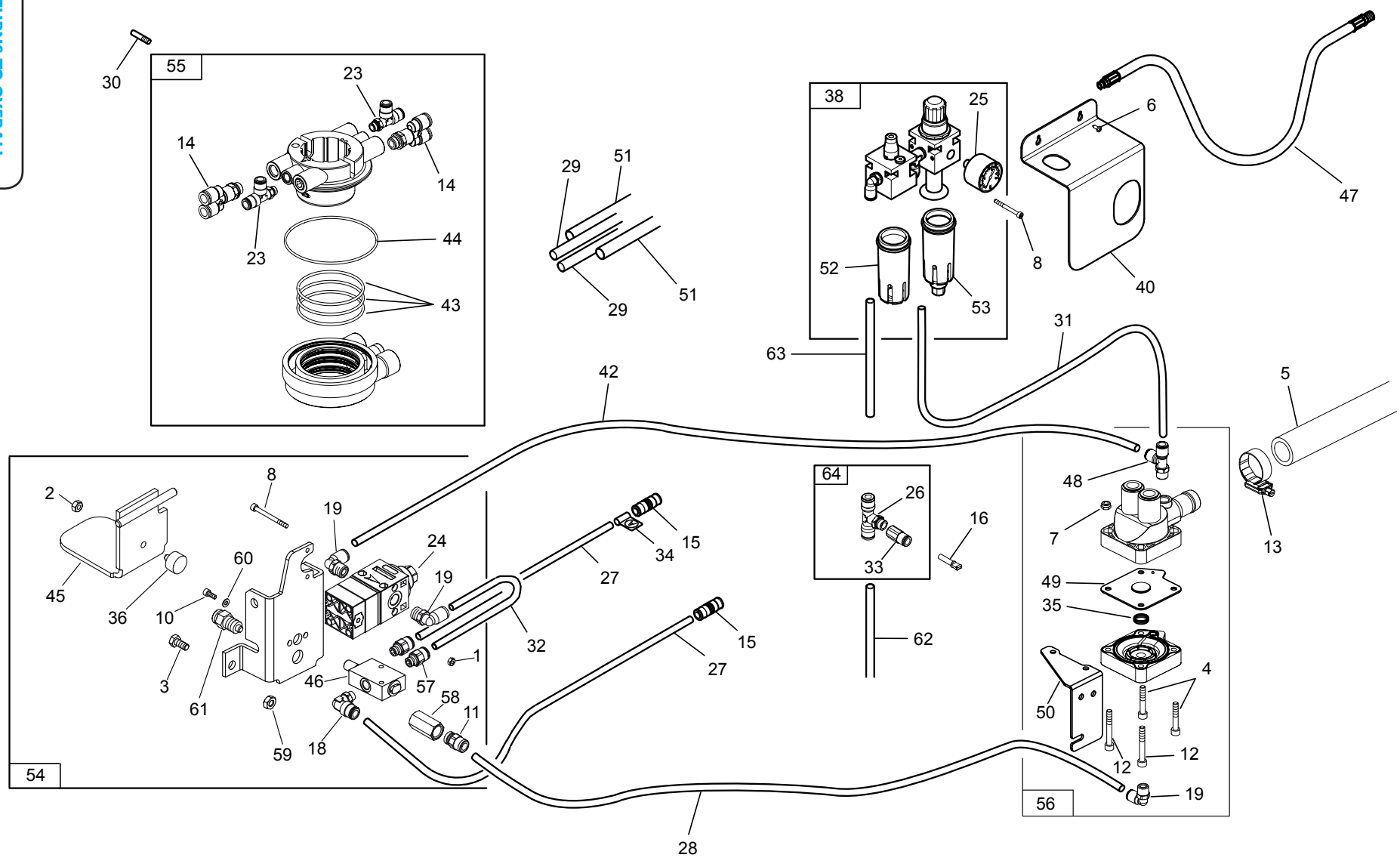
Index No.	Part Number	Description
1	RP11-2-00149	NUT M 4
2	RP11-2-00150	NUT M6
3	RP11-2-00373	HEXAGON HEAD CAP SCREW M8X20
4	RP11-2-00909	SOCKET HEAD CAP SCREW M6X35
5	RP11-4-137182	RUBBER HOSE 16 BAR D25-35 L 900
6	RP11-2-01321	SELF-TAPPING SCREW D.3,5X9,5
7	RP11-2-01979	NUT WITH POLYAMIDE RING M6
8	RP11-2-02286	SOCKET HEAD CAP SCREW M4X45
10	RP11-2-00295	HEXAGON SOCKET HEAD SCREW M4X8
11	RP11-3-00459	STRAIGHT MALE ADAPTOR G1/4 T.8
12	RP11-2-02846	SOCKET HEAD CAP SCREW M6X45
13	RP11-445516	HOSE CLAMP D.25-40
14	RP11-3-04139	Y MALE ADAPTOR G1/4 D.10
15	RP11-3-00016	STRAIGHT CONNECTOR T.8
16	RP11-3-01338	CAP D.8 (STD AND LL VERSION)
16A	RP11-3-00209	6mm Female to 8mm Male Reducer To fit a BPS (up to s/n VNA018249) with 6mm air tubing, to a TCX50 with 8mm X Union
16B	RP11-3-00211	8mm Female to 6mm Male Reducer To fit a BPS (from s/n VNA018249) with 8mm air tubing, to a new TCX50 with 6mm X Union
18	RP11-3-00049	ORIENTING ELBOW FITTING 1/8 T8
19	RP11-3-00060	ORIENTING ELBOW FITTING 1/4 T8
23	RP11-3-00062	TEE MALE ADAPTOR G1/8 D.8
24	RP11-3-00389	QUICK INFLATING VALVE G1/4
25	RP11-3-00488	PRESSURE GAUGE
26	RP11-3005847	PNEUMATIC HOSE D.8-6 L=200
27	RP11-3005848	RILSAN HOSE D.8-6 L.1000
28	RP11-3093866	RILSAN HOSE D.8-6 L.400
29	RP11-3009007	RILSAN HOSE D.8-6 L.1300
30	RP11-4-138326	SCREW FOR ROTATING UNION
32	RP11-3014052	RILSAN HOSE D.8-6 L.300

Index No.	Part Number	Description
33	RP11-3015501	RILSAN HOSE D.8-6 L.600
34	RP11-3015825	DECAL, A-A HOSES CONNECTION
35	RP11-453968	COMPRESSION SPRING
36	RP11-3-02148	VIBRATION DAMPING 20X11 M6X9
37A	RP11-3-00025	TEE CONNECTOR T.8 (STD VERSION)
37B	RP11-3-00021	X UNION T8 (LL VERSION)
38	RP11-3-04125	FILTER REGULATOR
39	RP11-3010470	RILSAN HOSE D.8-6 L.500
40	RP11-4-118178	FILTER PROTECTION
42	RP11-3007493	RILSAN HOSE D.8-6 L.900
43	RP11-4210092	O-RING 3250 (2.62x63.17)
44	RP11-4210093	O-RING 90X2 DIN3770
45	RP11-252625	INFLATION PEDAL
46	RP11-5-122302	VALVE WITH LONG CAP
47	RP11-4-401945	AIR INLET HOSE G1/4-1/4NPT
48	RP11-3-00069	T-QUICK UNION 1/4" 8-6 REVOLV.
49	RP11-4-137336	DIAPHRAGM
50	RP11-4-137425	VALVE HOLDER
51	RP11-4-137389	RILSAN HOSE D. 14-11 L.700
53	RP11-457512	FILTER TANK
54	RP11-5-107118	INFLATING DEVICE PEDAL
55	RP11-5-122923	COMPLETE ROTATING UNION
56	RP11-5-123291	COMPLETE INFLATING VALVE
57	RP11-3-00464	D-FITTING G1/8G T8
58	RP11-338576	SPACER 17X32
59	RP11-2-94009	SELF-LOCKING METAL NUT M8
60	RP11-2-00209	WASHER FOR HEX CAP SCREW M4
61	RP11-235463	PUSH-BUTTON
62	RP11-3-00209	QUICK UNION D.8 T.6 (LL VERSION)

ROTATING UNION AIR VERSION

RETURNS TO OVERALL

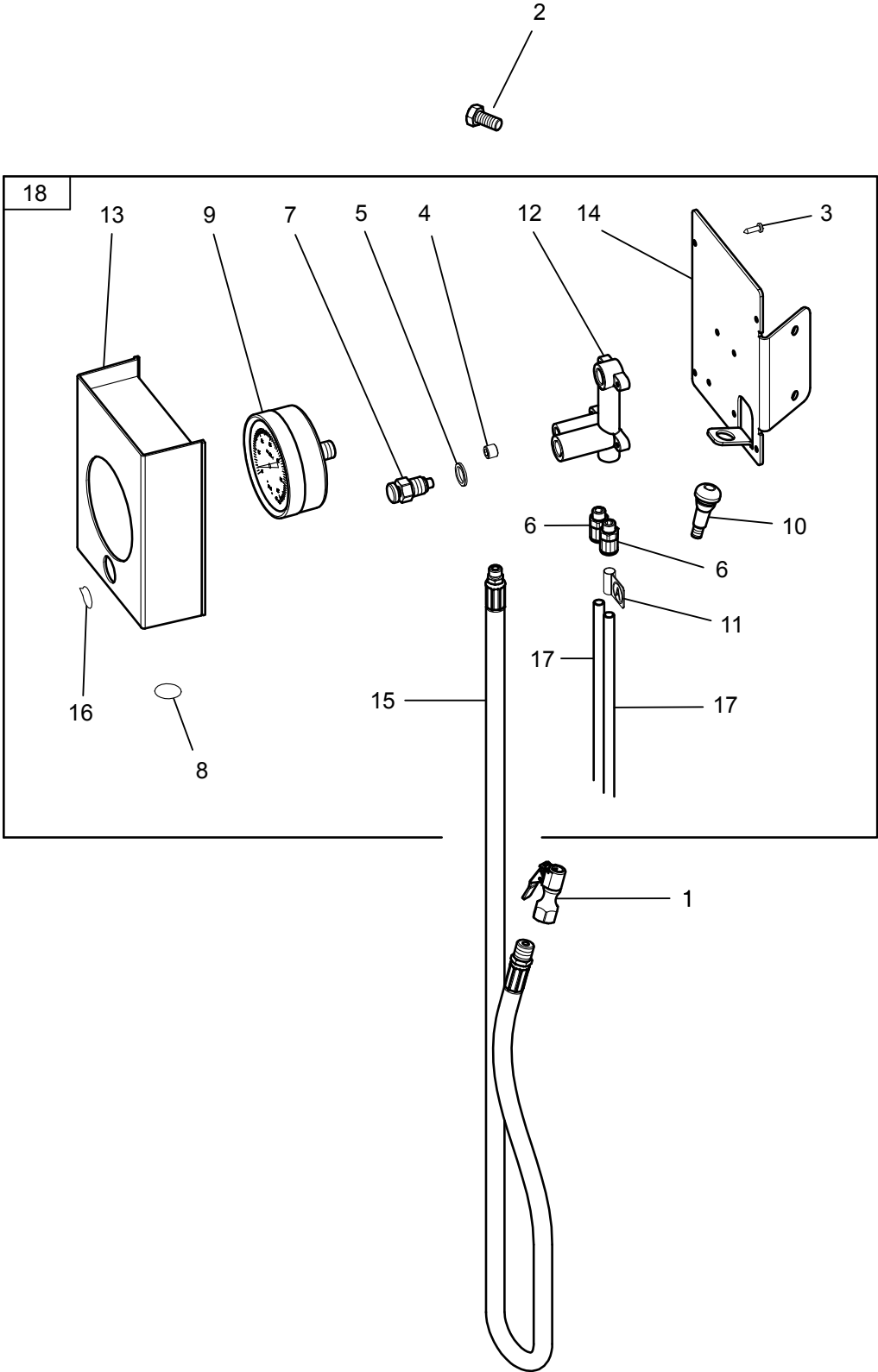
TCX50 Tire Changer
REFER TO NEXT SHEET FOR PARTS DESCRIPTION LISTING



Index No.	Part Number	Description
1	RP11-2-00149	NUT M 4
2	RP11-2-00150	NUT M6
3	RP11-2-00373	HEXAGON HEAD CAP SCREW M8X20
4	RP11-2-00909	SOCKET HEAD CAP SCREW M6X35
5	RP11-4-137182	RUBBER HOSE 18 BAR D25-35 L 900
6	RP11-2-01321	SELF-TAPPING SCREW D.3,5X9,5
7	RP11-2-01979	NUT WITH POLYAMIDE RING M6
8	RP11-2-02286	SOCKET HEAD CAP SCREW M4X45
10	RP11-2-00295	HEXAGON SOCKET HEAD SCREW M4X8
11	RP11-3-00459	STRAIGHT MALE ADAPTOR G1/4 T.8
12	RP11-2-02846	SOCKET HEAD CAP SCREW M6X45
13	RP11-445516	HOSE CLAMP D.25-40
14	RP11-3-04139	Y MALE ADAPTOR G1/4 D.10
15	RP11-3-00016	STRAIGHT CONNECTOR T.8
16	RP11-3-01338	CAP D.8
18	RP11-3-00049	ORIENTING ELBOW FITTING 1/8 T8
19	RP11-3-00060	ORIENTING ELBOW FITTING 1/4 T8
23	RP11-3-00062	TEE MALE ADAPTOR G1/8 D.8
24	RP11-3-00389	QUICK INFLATING VALVE G1/4
25	RP11-3-00488	PRESSURE GAUGE
26	RP11-3-03212	TEE MALE ADAPTOR G1/4 T.10
27	RP11-3005848	RILSAN HOSE D.8-6 L.1000
28	RP11-3093866	RILSAN HOSE D.8-6 L.400
29	RP11-3009007	RILSAN HOSE D.8-6 L.1300
30	RP11-4-138326	SCREW FOR ROTATING UNION
31	RP11-3009930	RILSAN HOSE D.8-6 L.1200
32	RP11-3014052	RILSAN HOSE D.8-6 L.300
33	RP11-3-00091	STRAIGHT CONNECTOR T.8

Index No.	Part Number	Description
34	RP11-3015825	DECAL, A-A HOSES CONNECTION
35	RP11-453968	COMPRESSION SPRING
36	RP11-3-02148	VIBRATION DAMPING 20X11 M6X9
38	RP11-3-03135	FILTER + LUBRICATOR
40	RP11-4-118178	FILTER PROTECTION
42	RP11-3010470	RILSAN HOSE D.8-6 L.500
43	RP11-4210092	O-RING 3250 (2.62x63.17)
44	RP11-4210093	O-RING 90X2 DIN3770
45	RP11-252625	INFLATION PEDAL
46	RP11-5-122302	VALVE WITH LONG CAP
47	RP11-4-402573	AIR INLET HOSE G1/4-1/4NPT
48	RP11-3-00069	T-QUICK UNION 1/4" 8-6 REVOLV.
49	RP11-4-137336	DIAPHRAGM
50	RP11-4-137425	VALVE HOLDER
51	RP11-4-137389	RILSAN HOSE D. 14-11 L.700
52	RP11-457511	LUBRICATOR TANK
53	RP11-457512	FILTER TANK
54	RP11-5-107118	INFLATING DEVICE PEDAL
55	RP11-5-122923	COMPLETE ROTATING UNION
56	RP11-5-123291	COMPLETE INFLATING VALVE
57	RP11-3-00464	D-FITTING G1/8G T8
58	RP11-338576	SPACER 17X32
59	RP11-2-94009	SELF-LOCKING METAL NUT M8
60	RP11-2-00209	WASHER FOR HEX CAP SCREW M4
61	RP11-235463	PUSH-BUTTON
62	RP11-3014453	RILSAN HOSE D.10-8 L.400
63	RP11-4-118870	RILSAN HOSE D.10-8 L.600
64	RP11-5-107734	COMPLETE TEE UNION

INFLATOR BOX



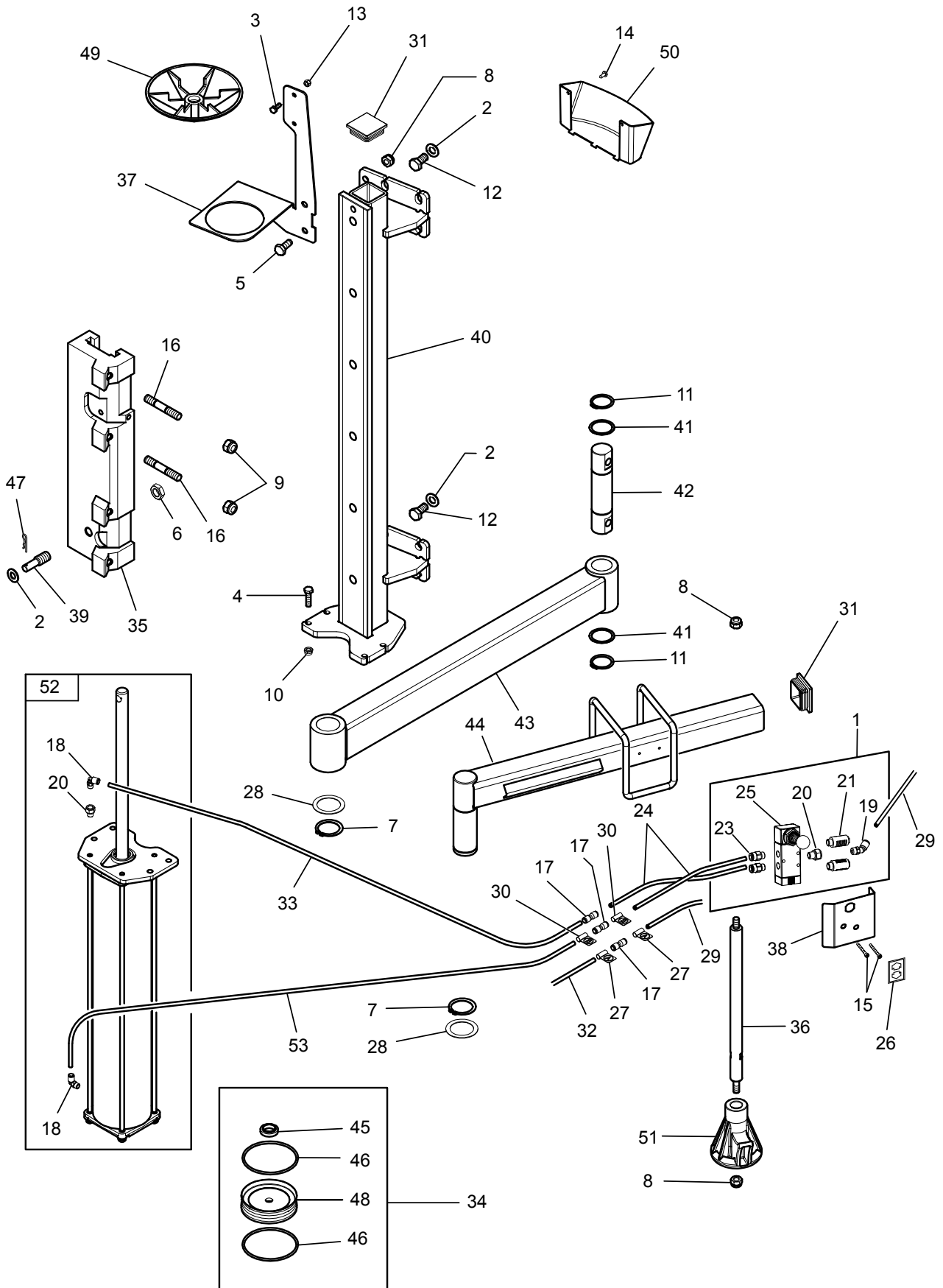
[RETURNS TO OVERALL](#)

Index No.	Part Number	Description
1	145-341-2	CLIP ON AIR CHUCK
2	RP11-2-01225	SCREW M 12X25
3	RP11-2-71491	SELF-TAPPING SCREW D.3.5X12.7
4	RP11-3-00198	MALE PLUG G1/8
5	RP11-3-00445	NYLON NOTCHED-WASHER G1/4
6	RP11-3-00477	STRAIGHT MALE ADAPTOR G1/8 T.8
7	RP11-3012530	PUSH-BUTTON
8	RP11-3014074	DECAL, A
9	RP11-3-01552	PRESSURE GAUGE G1/4 0-60PSI

Index No.	Part Number	Description
10	RP11-3-01568	RUBBER CORE VALVE
11	RP11-3015825	DECAL, A-A HOSES CONNECTION
12	RP11-3315381	MANIFOLD
13	RP11-3315382	BOX PANEL
14	RP11-4-118065	BOX BASE
15	RP11-4-118871	AIR OUTLET HOSE G1/8-1/4NPT
16	RP11-4-402021	DECAL MANUAL BLEED VALVE
17	RP11-4-404379	RILSAN HOSE D.8-6 L.1400
18	RP11-5-106091	ULGS HUNTER INFLATOR BOX

BP

VERSION PRODUCED FROM S/N VOG066595 (2018 SEPTEMBER)
TO S/N VPGA00730 (2019 JULY)



[RETURNS TO OVERALL](#)

TCX50 Tire Changer

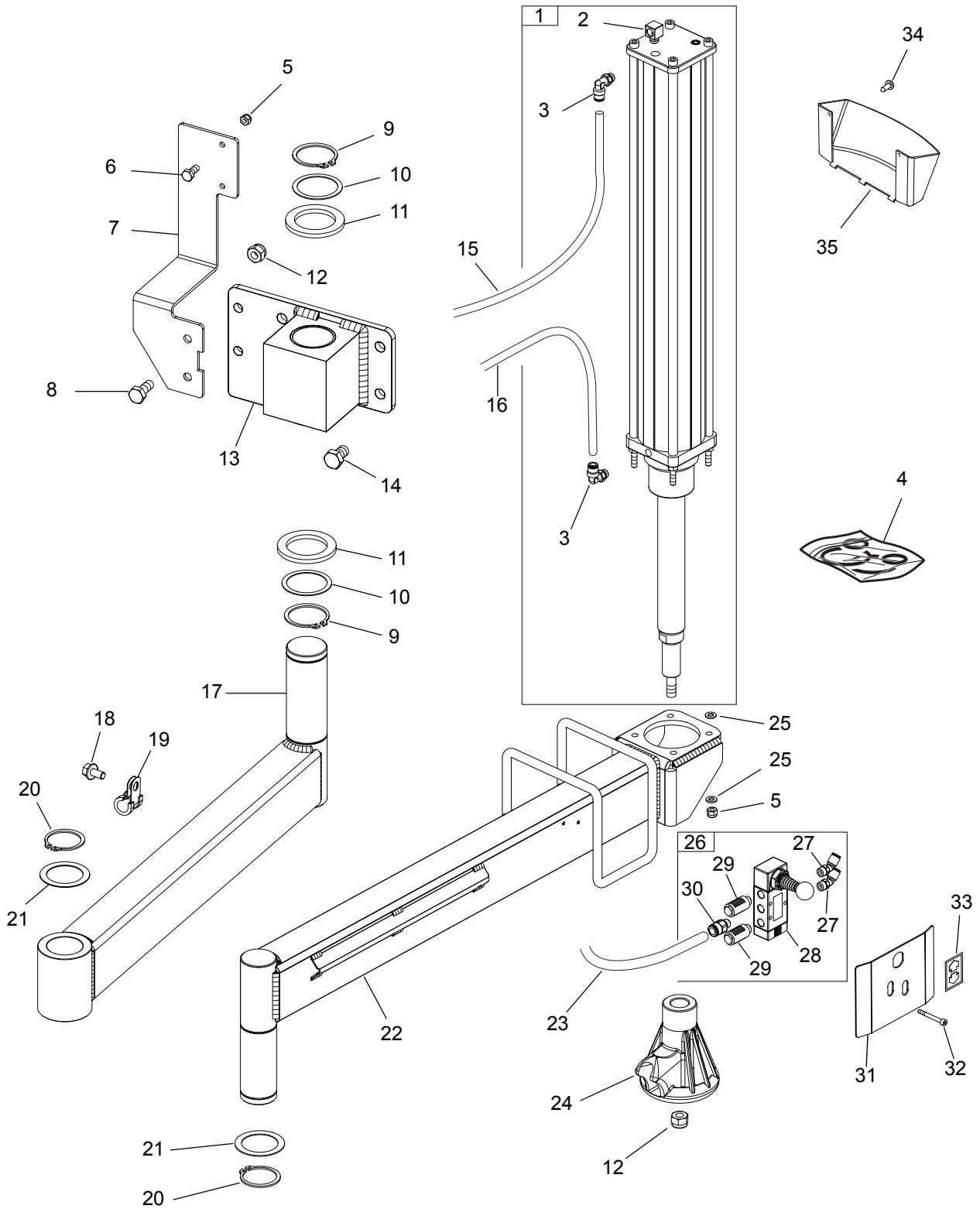
REFER TO NEXT SHEET FOR PARTS DESCRIPTION LISTING

Index No.	Part Number	Description
1	RP11-5-122394	COMPLETE VALVE
2	RP11-2-00214	WASHER D.12
3	RP11-2-00361	HEXAGON HEAD CAP SCREW M6X16
4	RP11-2-00375	HEXAGON HEAD CAP SCREW M8X30
5	RP11-2-00380	HEXAGON HEAD CAP SCREW M10X25
6	RP11-2-00663	LOW NUT M16
7	RP11-2-00792	RETAINING RING FOR SHAFT D.40
8	RP11-2-01019	NUT WITH POLYAMIDE RING M10
9	RP11-2-01021	NUT WITH POLYAMIDE RING M12
10	RP11-2-01137	NUT WITH POLYAMIDE RING M8
11	RP11-2-01139	RETAINING RING FOR SHAFT D.35
12	RP11-2-01225	SCREW M 12X25
13	RP11-2-01257	NUT WITH POLYAMIDE RING M6
14	RP11-2-01321	SELF-TAPPING SCREW D.3,5X9,5
15	RP11-2-02022	SOCKET HEAD CAP SCREW M4X35
16	RP11-2-03766	SHORT END STUD M12X55
17	RP11-3-03516	STRAIGHT CONNECTOR T.6-T.8
18	RP11-3-00049	ORIENTING ELBOW FITTING 1/8 T8
19	RP11-3-90235	ELBOW MALE ADAPTOR G1/8 T6
20	RP11-3-00083	REDUCER G1/8 M-F
21	RP11-3-00183	SILENCER G.1/8
23	RP11-3-00476	STRAIGHT MALE ADAPTOR G1/8 T.6
24	RP11-370145	RILSAN HOSE D.6-4 L.1200
25	RP11-3-01359	MANUALLY ACTUATED VALVE G1/8
26	RP11-3013640	DECAL, ARROWS UP-DOWN
27	RP11-3015825	DECAL, A-A HOSES CONNECTION

Index No.	Part Number	Description
28	RP11-3017419	WASHER 40.5X55X1
29	RP11-3006353	RILSAN HOSE D.6-4 L.1300
30	RP11-3019822	DECAL, B-B HOSES CONNECTION
31	RP11-3-02237	PLASTIC CAP 50X50X3,5
32	RP11-4-121490	POLYURETHANE HOSE D.8-6 L.1680
33	RP11-4-121489	POLYURETHANE HOSE D.8-6 L. 1250
34	RP11-5-106301	SET OF GASKETS
35	RP11-4-117934	CARRIAGE
36	RP11-4-118208	SHAFT
37	RP11-4-118211	ULGS SUPPORT
38	RP11-4-118516	VALVE COVER
39	RP11-4-118627	SPECIAL SCREW
40	RP11-4-118631	VERTICAL POST
41	RP11-4-118652	WASHER D.35X43X1.5
42	RP11-4-118658	UPPER FULCRUM PIN
43	RP11-4-118659	CONTROL ARM
44	RP11-4-118684	ROTATING ARM
45	RP11-4206114	LIPPED GASKET NSW 20-30-6
46	RP11-3-02843	O-RING 0900-25 ORM (90.00x2.50)
47	RP11-4300179	HAIR PIN
48	RP11-438519	GASKET WITH FLANGE D.95
49	RP11-4-403749	RIM HOLE PRESSING CONE
50	RP11-4-405292	TOOL STORAGE
51	RP11-4-406419	BEAD PRESSING ROLLER WITH HOOK
52	RP11-5-106151	COMPLETE CYLINDER
53	RP11-4-135610	POLYURETHANE HOSE D.8-6 L.1500

BP

VERSION PRODUCED FROM S/N VPGA00730 (2019 August)



[RETURNS TO OVERALL](#)

TCX50 Tire Changer

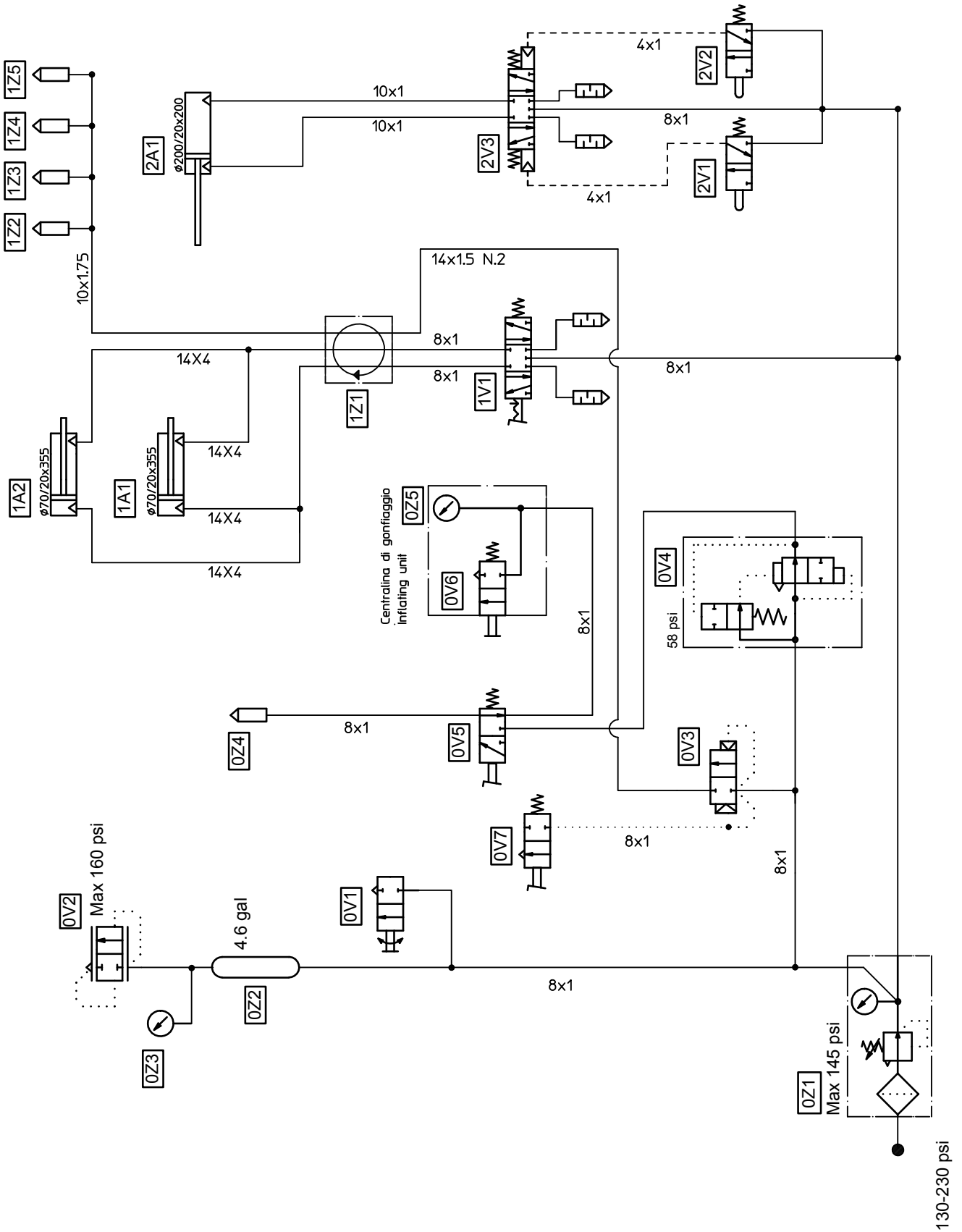
REFER TO NEXT SHEET FOR PARTS DESCRIPTION LISTING

Index No.	Part Number	Description
1	RP11-5-122959	COMPLETE CYLINDER D.70
2	RP11-3-00228	ELBOW MALE ADAPTOR G1/8 M-F
3	RP11-3-00053	ORIENTING ELBOW FITTING 1/8 T6
4	RP11-5-124158	SET OF GASKETS
5	RP11-2-01257	NUT WITH POLYAMIDE RING M6
6	RP11-2-00361	HEXAGON HEAD CAP SCREW M6X16
7	RP11-4-137803	ULGS SUPPORT
8	RP11-2-01037	HEXAGON HEAD CAP SCREW M10X30
9	RP11-2-01062	RETAINING RING FOR SHAFT D.45
10	RP11-2-04026	WASHER D.45X55X1
11	RP11-4-136992	CYLINDRICAL SPACER
12	RP11-2-01019	NUT WITH POLYAMIDE RING M10
13	RP11-4-137022	BP SUPPORT WITH BUSHES
14	RP11-2-80042	HEXAGON HEAD CAP SCREW M12X20
15	RP11-4-137118	POLYURETHANE HOSE D.6X4 L.650
16	RP11-4-137094	POLYURETHANE HOSE D.6X4 L.200
17	RP11-4-136988	CONTROL ARM
18	RP11-2-04020	HEXAGON FLANGE BOLTS M6X12

Index No.	Part Number	Description
19	RP11-3-10040	HOSE CLAMP
20	RP11-2-00792	RETAINING RING FOR SHAFT D.40
21	RP11-3017419	WASHER 40.5X55X1
22	RP11-4-136984	ROTATING ARM
23	RP11-4-137119	POLYURETHANE HOSE D.8X6 L.3000
24	RP11-4-406418	BEAD PRESSING ROLLER WITH HOOK
25	RP11-2-00211	WASHER FOR HEX CAP SCREW M6
26	RP11-5-122902	COMPLETE VALVE
27	RP11-3-90235	ELBOW MALE ADAPTOR G1/8 T6
28	RP11-3-03579	MANUALLY ACTUATED VALVE G1/8
29	RP11-3-00183	SILENCER 1/8"
30	RP11-3-00477	STRAIGHT MALE ADAPTOR G1/8 T.8
31	RP11-4-136993	VALVE COVER
32	RP11-2-02022	SOCKET HEAD CAP SCREW M4X35
33	RP11-3013640	DECAL, ARROWS UP-DOWN
34	RP11-2-01321	SELF-TAPPING SCREW D.3,5X9,5
35	RP11-4-405292	TOOL STORAGE

PNEUMATIC DIAGRAM

ELECTRIC VERSION



[RETURNS TO OVERALL](#)

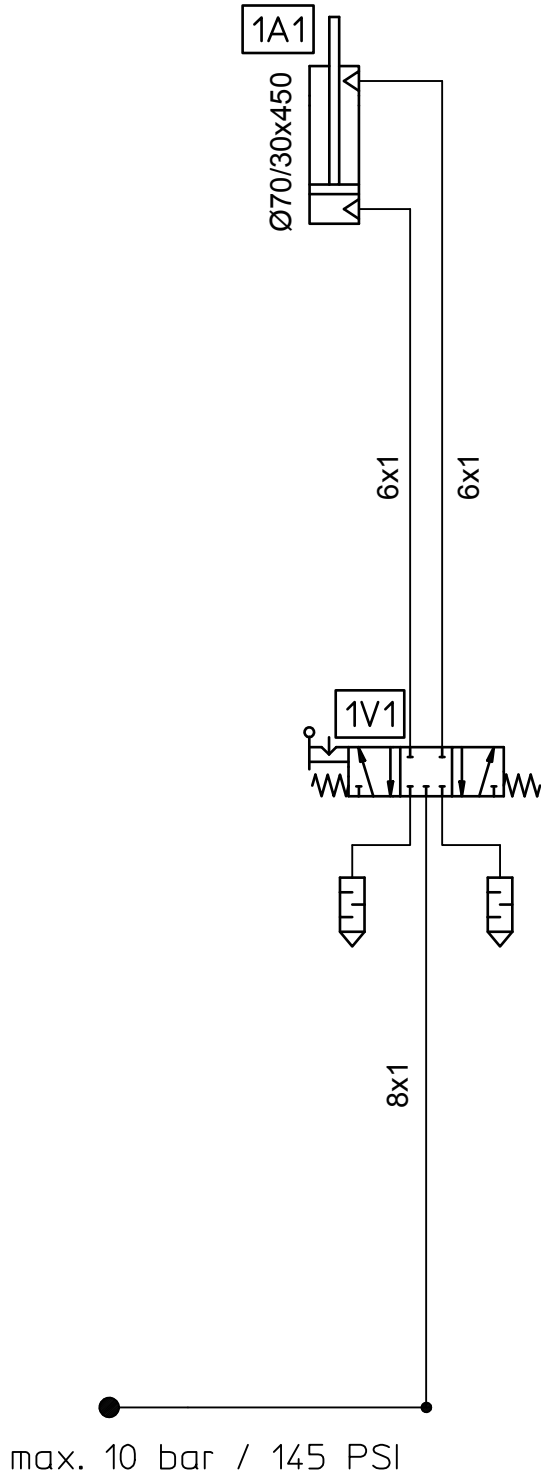
TCX50 Tire Changer

REFER TO NEXT SHEET FOR PARTS DESCRIPTION LISTING

Index No.	Description
0V1	Ball valve G 1/4" M/F
0V2	Safety valve G 1/4" 160 PSI
0V3	Complete inflating valve
0V4	Quick inflating valve G 1/4"
0V5	Inflating valve
0V6	Manifold
0V7	Discharge valve
0Z1	Water separator and pressure regulator
0Z2	Air tank 4.6 gal. Conformity ASME code.
0Z3	Pressure gauge D.40 1/4 0-170 PSI
0Z4	Clip-on air chuck
0Z5	Pressure gauge D.80 1/4 NPT 0-60 PSI
1A1	Self-centering chuck cylinder
1A2	Self-centering chuck cylinder
1V1	Complete self-centering chuck valve
1Z1	Complete rotating union
1Z2	Slide with nozzle and union
1Z3	Slide with nozzle and union
1Z4	Slide with nozzle and union
1Z5	Slide with nozzle and union
2A1	Bead-breaker cylinder
2V1	Taste lever microvalve 3/2 NC T.4
2V2	Taste lever microvalve 3/2 NC T.4
2V3	Complete bead-breaker valve

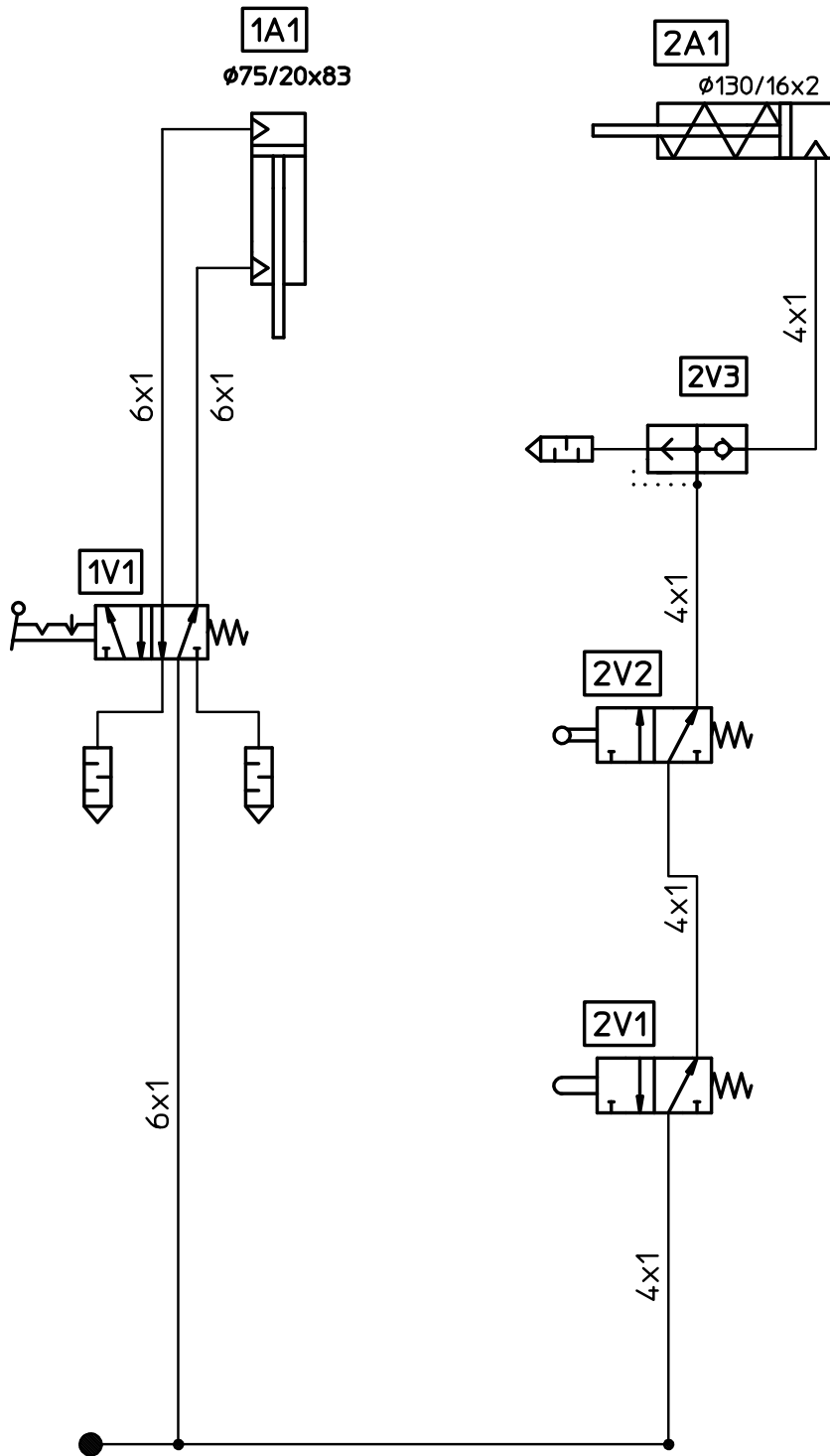
Index No.	Description
0V1	Ball valve G 1/4" M/F
0V2	Safety valve G 1/4" 160 PSI
0V3	Complete inflating valve
0V4	Quick inflating valve G 1/4"
0V5	Inflating valve
0V6	Manifold
0V7	Discharge valve
0Z1	Water separator and pressure regulator+lubricator
0Z2	Air tank 4.6 gal. Conformiti ASME code.
0Z3	Pressure gauge D.40 1/4 0-170 PSI
0Z4	Clip-on air chuck
0Z5	Pressure gauge D.80 1/4 NPT 0-60 PSI
1A1	Gast motor
1V1	Complete air motor valve
1V2	Valve G1/4"
2A1	Self-centering chuck cylinder
2A2	Self-centering chuck cylinder
2V1	Complete self-centering chuck valve
2Z1	Complete rotating union
2Z2	Slide with nozzle and union
2Z3	Slide with nozzle and union
2Z4	Slide with nozzle and union
2Z5	Slide with nozzle and union
3A1	Bead-breaker cylinder
3V1	Taste lever microvalve 3/2 NC T.4
3V2	Taste lever microvalve 3/2 NC T.4
3V3	Complete bead-breaker valve

BP PNEUMATIC DIAGRAM



1A1	Carriage control cylinder
1V1	Control valve

LL TOOL PNEUMATIC DIAGRAM



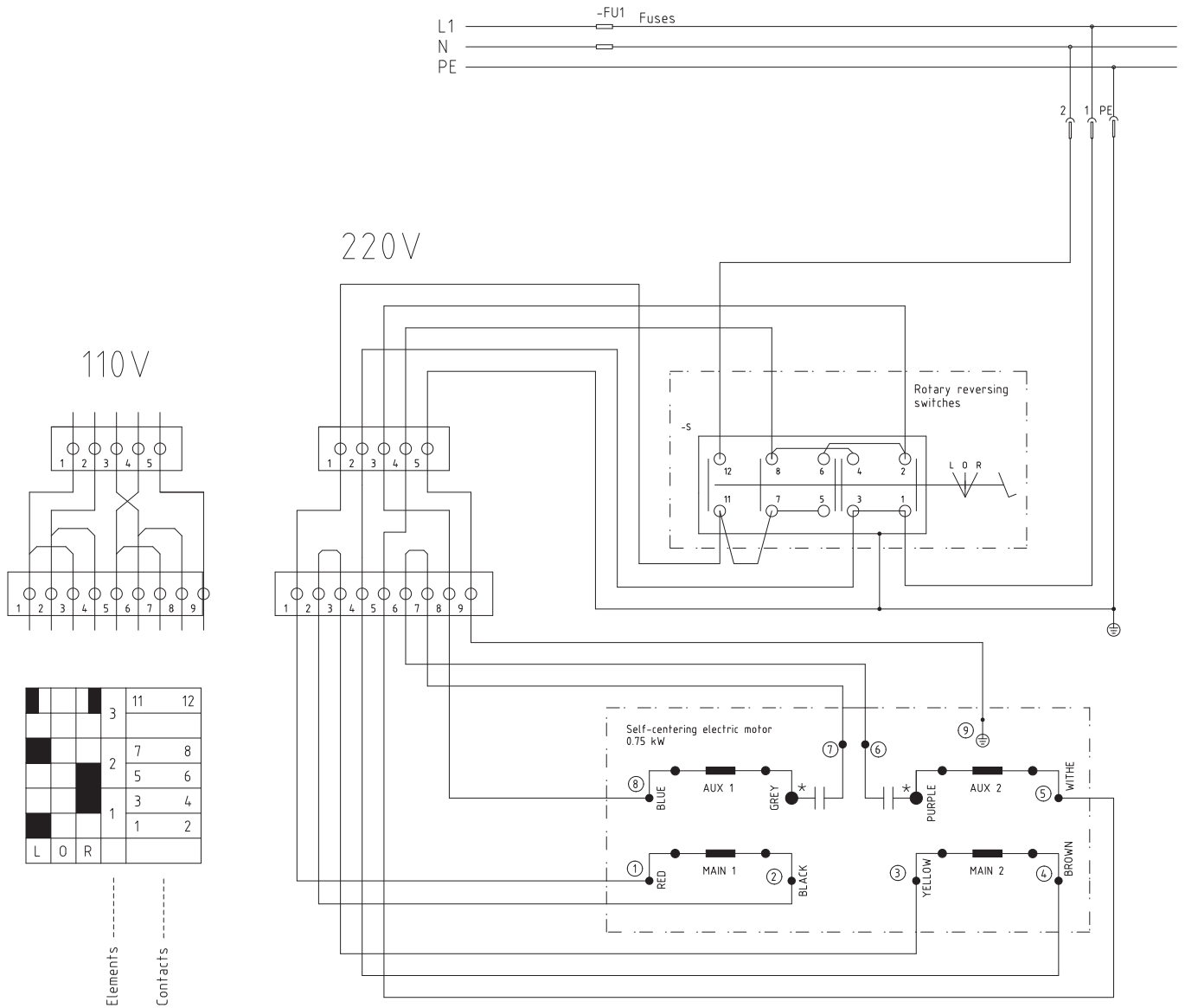
[RETURNS TO OVERALL](#)

TCX50 Tire Changer

REFER TO NEXT SHEET FOR PARTS DESCRIPTION LISTING

Index No.	Description
1A1	Actuating tool cylinder
1V1	Tool control valve
2A1	Cylinder brake
2V1	Taste lever microvalve 3/2 NO T.4
2V2	Taste lever microvalve 3/2 NO T.4
2V3	Quick exhaust valve

WIRE DIAGRAM



[RETURNS TO OVERALL](#)